



MANITOU **HANDLING YOUR WORLD**

649280EN-USMG(A/2021)
(WORLDWIDE)

OPERATORS MANUAL
(NOTICE ORIGINALE)

MRT 2260 360 160Y ST5 S1
MRT-X 2260 360 160Y ST3A S1
MRT 2660 360 160Y ST5 S1
MRT-X 2660 160Y ST3A S1
MRT 3060 360 175Y ST5 S1
MRT-X 3060 360 175Y ST3A S1
MRT 2570 360 175Y ST5 S1
MRT-X 2570 360 175Y ST3A S1
MRT 3570 360 210Y ST5 S1
MRT-X 3570 360 210Y ST3A S1
MRT 3570 ES 360 210Y ST5 S1
MRT-X 3570 ES 360 210Y ST3A S1





LEGAL NOTICE

This brochure is provided for information only. Any reproduction, copy, representation, recording, transfer, distribution, etc., in whole or in part, in any format whatsoever, is prohibited. The diagrams, drawings, images, comments and indications found in this documentation, and the organization of the document itself, are intellectual property of MANITOU BF. Any violation of the above is subject to civil and criminal penalties. The logos and visual identity of the company are property of MANITOU BF and may not be used without express formal authorization. All rights reserved.

Any reproduction, source code access, decompilation, modification, copy (other than backup copies), correction of errors, transmission or distribution of any software built into Manitou machines is strictly prohibited.

In the event that the measures above nevertheless prove essential to enable use of the software, in accordance with its destination, or to obtain the information required for interoperability with other software created independently, the user should contact Manitou in advance and may, at its sole discretion, take the necessary measures or give access to only the information strictly necessary for interoperability.

Any breach of these requirements is likely to constitute a counterfeiting offense subject to legal action by Manitou.

Connected Manitou machines are equipped with boxes that collect technical data on the machines (such as geo-tracking data or data on component operation). This data, which is organized, processed and enhanced by algorithms and expertise proprietary to Manitou, constitutes a protected database under Article L.341-1 of the Intellectual Property Code.

It is strictly forbidden to have access to all or part of this database and to use the data (including in the event of accidental access) without explicit prior authorization from Manitou. In the event that Manitou authorizes a Manitou machine user to access all or part of this database, Manitou, as producer of this database, cedes to the user only a right to personal, non-exclusive, nontransferable use of the database, and only by access to an information technology platform hosted by a server owned or controlled by Manitou.

In any case, the following are strictly prohibited:

- any extraction, reproduction, representation, reuse through provision to the public, distribution, transfer, permanent or temporary, on any medium, by any means, and in any form whatsoever, of all or of a qualitatively or quantitatively substantial part of the contents of this database,
- any extraction, reproduction, representation, reuse through provision to the public, distribution, transfer, repeated or systematic of qualitatively or quantitatively insubstantial parts of the content of the database during operations manifestly exceeding normal use of the database by the user of the machine for his own needs,
- any use of means to bypass technical protection measures for databases or software source code embedded in the boxes, in keeping with Article L.331-5 of the Intellectual Property Code.

MANITOU BF S.A. Public limited company with a board of directors.

Head Office: 430 rue de l'Aubinière - 44150 Ancenis - France

Share capital: €39,548,949

Entered in the Nantes Trade and Companies Register under No. 857 802 508.

Tel.: +33 (0)2 40 09 10 11

www.manitou.com



TABLE OF CONTENTS

1. SAFETY	12
1.1. ORIGINAL SPARE PARTS AND EQUIPMENT	12
1.2. RECOMMENDATIONS FOR USE FOR THE DRIVER	12
1.3. GENERAL INSTRUCTIONS	14
1.3.1 Instruction Manual	14
1.3.2 Driving authorization	14
1.3.3 Routine maintenance	14
1.3.4 Environmental conditions of use.....	14
1.4. DRIVING INSTRUCTIONS	15
1.4.1 Driver seat provisions.....	15
1.4.2 Before starting the forklift.....	15
1.4.3 Starting the forklift.....	15
1.4.4 Telehandler guide	16
1.4.5 Stopping the telehandler.....	16
1.4.6 Driving the telehandler on the road.....	17
1.5. HANDLING INSTRUCTIONS	17
1.5.1 Handling instructions.....	17
1.6. HANDLING OF A LOAD	19
1.6.1 Load weight and center of gravity	19
1.6.2 Picking up a load from the ground	20
1.6.3 Pick up a load up on tires.....	21
1.6.4 Picking up a load without a pallet.....	22
1.6.5 Load status indicator device.....	22
1.7. INSTRUCTIONS FOR USING THE RADIO CONTROL	23
1.7.1 Recommendations for using the remote control.....	23
1.8. TRANSLATION OF THE VEHICLE BY RADIO CONTROL	26
1.8.1 Translation of the telehandler by remote control or platform (optional)	26
1.8.2 Safety requirements for translation by remote control	26
1.8.3 Platform transfer safety requirements (basket)	26
1.9. TELEHANDLER MAINTENANCE INSTRUCTIONS	27
1.9.1 Recommendations for maintenance	27
2. TECHNICAL DATA AND DESCRIPTION	29



2.1. MACHINE IDENTIFICATION	29
2.1.1 IDENTIFICATION OF THE ROTATING TELESCOPIC HANDLER	29
2.1.2 IDENTIFICATION OF THE ROTATING TELESCOPIC HANDLER	29
2.1.3 HEAT ENGINE PLATE	29
2.1.4 HYDROSTATIC PUMP PLATE.....	30
2.1.5 HYDROSTATIC MOTOR PLATE.....	30
2.1.6 GEARBOX PLATE	31
2.1.7 FRONT AXLE PLATE.....	31
2.1.8 REAR AXLE PLATE.....	32
2.1.9 CABIN PLATE	32
2.1.10 CHASSIS PLATE.....	32
2.1.11 ACCESSORY MANUFACTURER'S PLATE	33
2.2. TECHNICAL SPECIFICATIONS	33
2.2.1 FEATURES MRT 2260 and 2660	33
2.2.2 FEATURES MRT-X 2260 and 2660	36
2.2.3 FEATURES MRT 2570 and 3060	39
2.2.4 FEATURES MRT-X 2570 and 3060	42
2.2.5 FEATURES MRT 3570 and 3570 ES.....	45
2.2.6 FEATURES MRT-X 3570 and 3570 ES.....	48
2.2.7 CAPACITY AND LOAD CHARTS	50
2.2.8 "CE" DECLARATION OF CONFORMITY.....	59
2.3. ENVIRONMENT	61
2.3.1 EXHAUST GAS AFTER-TREATMENT SYSTEM (DPF + SCR + EGR) AND POLLUTANT GAS EMISSIONS CONTROL.....	61
2.4. COMPONENTS	64
2.4.1 CONTROLS	64
2.4.2 Pedals and diagnosis sockets.....	65
2.4.3 ADJUSTABLE STEERING COLUMN LEVER	65
2.4.4 CONTROL LEVER FOR LIGHTS, HORN, INDICATOR LIGHTS AND WIPERS.....	66
2.4.5 SIDE REAR VIEW MIRRORS and USB PORT.....	67
2.4.6 SUNSHADE	67
2.4.7 DISPLAY HEIGHT ADJUSTMENT KNOB	68
2.4.8 Cabin accessories	68
2.4.9 Ceiling light and rear window opening lever.....	68
2.4.10 Opening the door and door window	68
2.4.11 DOOR WINDOW RELEASE LEVER FROM INSIDE CABIN	69
2.4.12 DOOR WINDOW RELEASE LEVER FROM OUTSIDE CABIN	69
2.4.13 Air diffusers	69
2.4.14 Registration plate.....	70



TABLE OF CONTENTS

2.4.15 HEADLIGHTS	70
2.4.16 Beacon and signal headlights	71
2.4.17 BATTERY DISCONNECT SWITCH.....	71
2.4.18 BOOM SAFETY WEDGE	71
2.5. OPERATOR AREA.....	72
2.5.1 GETTING IN AND OUT OF THE VEHICLE.....	72
2.5.2 A - DRIVER'S SEAT (standard).....	72
2.5.3 B - PNEUMATIC SEAT FOR DRIVER (optional).....	73
2.5.4 C - HEATED / AIR-CONDITIONED DRIVER'S SEAT (optional)	74
2.5.5 SEAT BELT	75
2.5.6 IGNITION SWITCH.....	75
2.5.7 "Easy MANAGER" ANTI-START SYSTEM (optional).....	75
2.6. DISPLAY.....	76
2.6.1 DISPLAY CONTROL.....	76
2.6.2 DISPLAY ICONS	77
2.6.3 DISPLAY PAGES.....	79
2.6.4 BUTTON BAR	81
2.6.5 MENU PAGES.....	83
2.6.6 "DRIVE" PAGE	84
2.6.7 "WORKING" PAGE	84
2.6.8 "STABILITY" PAGE	86
2.6.9 "ADJUSTMENTS" PAGE.....	87
2.6.10 "DIAGNOSTICS" PAGE.....	88
2.6.11 "SETTINGS" PAGE	89
2.6.12 "RESOURCES" PAGE	90
2.6.13 "INFORMATION" PAGE	91
2.7. CHECK INDICATORS.....	92
2.7.1 JOYSTICK	92
2.7.2 BUTTONS AND CONTROLS	93
2.7.3 SAFETY SYSTEM EXCLUSION KEY	98
2.7.4 STANDARD RADIO CONTROL FOR ATTACHMENT HANDLING	98
2.8. OPTIONAL.....	102
2.8.1 AIR CONDITIONING.....	102
2.8.2 BOOM SUSPENSION.....	102
2.8.3 HYDRAULIC BLOCK OF THE ATTACHMENT	103
2.8.4 FRONT AND SIDE CAMERA SYSTEM	104
2.8.5 RADIO CONTROL FOR ATTACHMENT MOVEMENT AND TELESCOPIC HANDLER MOVEMENT	105



2.8.6 PREPARING BI-ENERGY UNIT	108
3. USE OF THE MACHINE	109
3.1. BEFORE USING THE MACHINE	109
3.1.1 PRE-USE INSPECTION CHECKLIST	109
3.1.2 AREA AROUND THE TELEHANDLER.....	110
3.1.3 FILLING THE FUEL TANK.....	110
3.1.4 FILLING THE "DEF" TANK	110
3.1.5 WORK AREA INSPECTION	111
3.2. ENTER THE CABIN	112
3.2.1 GETTING IN AND OUT OF THE VEHICLE.....	112
3.3. TURNING THE MACHINE ON AND OFF	113
3.3.1 STARTING THE MACHINE	113
3.3.2 TURNING OFF THE MACHINE	113
3.4. USE OF ATTACHMENTS	114
3.4.1 SAFETY RECOMMENDATIONS FOR ATTACHMENTS	114
3.4.2 COUPLING MANEUVER FOR ATTACHMENTS	115
3.4.3 AUTOMATIC RECOGNITION OF THE "E-RECO" ATTACHMENT.....	117
3.4.4 FLOW LIMITER OF THE ATTACHMENT CIRCUIT	118
3.5. DRIVING THE MACHINE	118
3.5.1 USING STEERING MODES	118
3.5.2 USING THE SEMI-AUTOMATIC WHEEL ALIGNMENT	119
3.5.3 USING THE PARKING BRAKE	120
3.5.4 DRIVING MODES.....	120
3.5.5 USING THE FORWARD / NEUTRAL / REVERSE DIRECTION SELECTOR (FNR)	121
3.5.6 TRAVEL SAFETY SYSTEM RESET BUTTON	121
3.6. STABILITY OF THE MACHINE	122
3.6.1 LEVELING PROCEDURE (ON TIRES)	122
3.6.2 BLOCKING REAR AXLE SWING.....	123
3.6.3 STABILIZER MOVEMENTS	123
3.6.4 MANUAL STABILIZATION PROCEDURE.....	123
3.6.5 AUTOMATIC STABILIZATION OR DESTABILIZATION PROCEDURE.....	124
3.6.6 STABILIZERS AUTOMATIC LEVELING PROCEDURE	125
3.7. EMERGENCY PROCEDURES	125



TABLE OF CONTENTS

3.7.1 EMERGENCY PROCEDURE	125
3.8. USE OF TOWING DEVICES	126
3.8.1 PIN AND TOWING HOOK	126
3.8.2 COUPLING FORK	126
3.9. TRANSPORT OF THE MACHINE	127
3.9.1 TRANSPORTING THE TELESCOPIC HANDLER ON A TRAILER	127
3.9.2 PUTTING THE TELEHANDLER IN A SLING AND LIFTING IT	129
3.9.3 TOWING OR HOOKING THE TELEHANDLER	130
3.9.4 TOWING OR HOOKING THE TELEHANDLER	131
4. MAINTENANCE	133
4.1. MAINTENANCE INTERVALS	133
4.1.1 DAILY AND WEEKLY MAINTENANCE	133
4.1.2 1st MANDATORY SERVICE WITHIN THE FIRST 500 HOURS OR WITHIN 6 MONTHS	133
4.1.3 PERIODIC MAINTENANCE	133
4.1.4 MAINTENANCE AND OCCASIONAL OPERATIONS	133
4.2. SCHEDULED MAINTENANCE	133
4.2.1 1st MANDATORY SERVICE WITHIN THE FIRST 500 HOURS OR WITHIN 6 MONTHS	133
4.2.2 DAILY AND WEEKLY MAINTENANCE	134
4.2.3 PERIODIC MAINTENANCE	135
4.2.4 OCCASIONAL MAINTENANCE	138
4.3. EVERY 10 HOURS OF OPERATION	139
4.3.1 CHECKING THE OIL LEVEL IN THE ENGINE	139
4.3.2 CHECKING THE COOLANT LEVEL	139
4.3.3 CHECKING THE TELESCOPIC BOOM SLIDING SHOES	140
4.3.4 CHECKING THE "MSS" SAFETY SYSTEM	141
4.3.5 CHECKING THE FUEL LEVEL	141
4.3.6 CHECKING DEF LIQUID LEVEL	142
4.3.7 FUEL PRE-FILTER CHECK	143
4.3.8 CABIN GLASS INTEGRITY CHECK	143
4.3.9 CABIN UPPER ANTI-BREAKAGE GLASS INTEGRITY CHECK (OPTIONAL)	145
4.4. EVERY 50 HOURS OF OPERATION	146
4.4.1 HYDRAULIC OIL LEVEL CHECK	146
4.4.2 TIRE PRESSURE AND WHEEL NUT TIGHTENING CHECK	147
4.4.3 CLEANING THE RADIATOR GRILLE, HYDRAULIC OIL, COOLANT AND INTERCOOLER	147



TABLE OF CONTENTS

4.4.4 WINDSCREEN WASHER FLUID LEVEL CHECK	148
4.4.5 CHECKING AND CLEANING THE CONDENSER GRILLE (OPTIONAL AIR CONDITIONER)	148
4.4.6 GENERAL LUBRICATION.....	148
4.5. EVERY 250 HOURS OF OPERATION	152
4.5.1 FRONT AND REAR AXLE DIFFERENTIAL OIL LEVEL CHECK.....	152
4.5.2 FRONT AND REAR WHEEL REDUCER OIL LEVEL CHECK	152
4.5.3 GEARBOX OIL LEVEL CHECK	153
4.5.4 GEARBOX OIL LEVEL CHECK	153
4.5.5 BATTERY CHECK.....	154
4.5.6 ROTATION REDUCER FIXING SCREW TIGHTENING CHECK	155
4.5.7 EXTERNAL BOOM CHAINS CHECK.....	155
4.6. EVERY 500 HOURS OF OPERATION OR EVERY 6 MONTHS	160
4.6.1 HYDRAULIC OIL CONTAMINATION CHECK	160
4.6.2 REPLACING THE HYDROSTATIC PUMP OIL FILTER (TRANSMISSION)	161
4.6.3 REPLACING THE HYDRAULIC OIL FILTER CARTRIDGE (DRAIN).....	161
4.6.4 REPLACING THE HYDRAULIC OIL BREATHER.....	162
4.6.5 FIFTH WHEEL AND TURRET FIXING BOLTS CHECK	162
4.6.6 CABIN VENTILATION FILTERS CHECK	163
4.6.7 FORKS WEAR CHECK.....	163
4.7. EVERY 1000 HOURS OF OPERATION OR EVERY YEAR	164
4.7.1 FILTER AND THREE-PHASE MOTOR OIL CHANGE	164
4.7.2 FRONT AND REAR AXLE DIFFERENTIAL OIL CHANGE	165
4.7.3 CHANGE FRONT AND REAR AXLE FINAL REDUCER OIL	166
4.7.4 GEARBOX OIL CHANGE.....	166
4.7.5 GEARBOX OIL CHANGE AND SPEED SENSOR CLEANING	167
4.7.6 DRY AIR FILTER CARTRIDGE REPLACEMENT	168
4.7.7 CLEANING THE FUEL TANK	169
4.7.8 FUEL PRE-FILTER REPLACEMENT	169
4.7.9 FUEL FILTER REPLACEMENT	170
4.7.10 FUEL PUMP FILTER REPLACEMENT	171
4.7.11 COOLANT REPLACEMENT	171
4.7.12 CABIN VENTILATION FILTERS REPLACEMENT	172
4.7.13 WEAR OF THE EXTERNAL TELESCOPIC BOOM CHAINS CHECK.....	173
4.7.14 WEAR OF THE EXTERNAL TELESCOPIC BOOM CHAINS CHECK.....	175
4.7.15 CHECK FOR WEAR AND INCREASE IN CLEARANCE OF THE FIFTH WHEEL BEARINGS	176
4.7.16 REPLACE FILTER OF THE "DEF" BOOST PUMP	177
4.7.17 REPLACE THE "DEF" TANK BREATHER.....	177
4.7.18 SAFETY BELT CHECK	178



TABLE OF CONTENTS

4.8. EVERY 2000 HOURS OF OPERATION OR EVERY 2 YEARS	179
4.8.1 TIRE PRESSURE AND WHEEL NUT TIGHTENING CHECK.....	179
4.8.2 HYDRAULIC OIL REPLACEMENT AND HYDRAULICS INTAKE FILTER CARTRIDGE CLEANING	179
4.9. EVERY 3000 HOURS OF OPERATION OR EVERY 3 YEARS	181
4.9.1 AIR FILTER SAFETY CARTRIDGE REPLACEMENT	181
4.9.2 REPLACEMENT OF THE THREE-PHASE MOTOR SERVICE BELT.....	181
4.10. EVERY 4500 HOURS OF OPERATION OR EVERY 9 YEARS	182
4.11. EVERY 6000 HOURS OF OPERATION OR EVERY 12 YEARS	183
4.11.1 DIESEL PARTICULATE FILTER (DPF) OF THE THREE-PHASE MOTOR CHECK	183
4.12. EVERY 9000 HOURS OF OPERATION OR EVERY 18 YEARS	183
4.13. OCCASIONAL MAINTENANCE	183
4.13.1 INSERTING THE SAFETY WEDGE OF THE TELESCOPIC BOOM	183
4.13.2 WHEEL REPLACEMENT	184
4.13.3 HEADLIGHTS ADJUSTMENT	184
4.13.4 REPLACING THE FUSES AND RELAYS	185
4.13.5 CHECK AND CLEANING OF THE TRANSMITTER RINGS OF THE ROTATING ELECTRIC COLLECTOR (AFTER 3 MONTHS OF INACTIVITY)	197
4.13.6 REMOTE CONTROL CHECK.....	197
4.13.7 CHECKING AND CLEANING THE FUEL TANK FILLER FILTER	200
4.13.8 CHECKING AND CLEANING THE DEF TANK FILLER FILTER.....	201
4.13.9 STATIONARY REGENERATION OF DPF FILTER "HANDLER STOPPED"	201
5. REFERENCES, OPTIONS AND ACCESSORIES	202
5.1. REFERENCES	202
5.1.1 LUBRICANTS AND FUEL	202
5.1.2 FILTER ELEMENTS AND BELTS	205
5.2. ATTACHMENTS.....	207
5.2.1 Interchangeable equipment and machine compatibility	207

00. EXPLANATION OF SYMBOLS

DANGER

Indicates an imminent hazardous situation which, if not avoided will result in death or serious injury.

WARNING

Indicates a potentially hazardous situation which, if not avoided, may result in death or serious injury.

CAUTION

Indicates a potentially hazardous situation which, if not avoided, may result in minor injury or damage to property. It is also used to warn users of unsafe practices.

NOTICE

Indicates a practice not related to a physical injury which, if not avoided, may damage the machine.



Indicates a message to draw attention to important information regarding environmental protection.



Indicates special tools for performing a task.



Indicates the value of tightening torque to be applied.



Indicates the weight of an item.

e.g. it helps to anticipate an action linked to a person's health or the choice of lifting equipment.



1. SAFETY

1.1. ORIGINAL SPARE PARTS AND EQUIPMENT

⚠ WARNING

Our forklifts must imperatively be maintained with original parts.

By authorizing the use of non-original parts, you risk:

- Legally involving your liability in the event of an accident.
- Technically causing malfunctions to the longevity of the telehandler.

⚠ WARNING

The use - by the user - of counterfeit parts or non-approved components can put an end to the contractual warranty conditions and lead the manufacturer to withdraw the Certificate of Conformity.

By using the original parts during maintenance operations, you are legally protected:

- The user who supplies elsewhere does so at his own risk.
- The user who modifies, or has the telehandler modified by third parties, must be aware that a new material is put on the market, which involves his liability.
- The user who copies or has copies made of the original parts exposes himself to legal risks.
- The Certificate of Conformity implies the liability of the manufacturer only for the parts chosen or processed under his control.
- Practical maintenance conditions are set by the manufacturer. If the user does not respect them, the liability of the manufacturer is not involved.

The manufacturer provides the user with:

- Savoir faire and its expertise.
- The guarantee of the quality of the works carried out.
- The original spare parts.
- Preventive maintenance assistance.
- Effective diagnosis assistance.
- The improvements due to an exchange of expertise.
- The training of the staff in charge.

- Only the manufacturer knows in detail the design of the forklift and therefore the best technological capabilities to ensure its maintenance.

NOTICE

Original spare parts are distributed exclusively by MANITOU and the dealer network.

1.2. RECOMMENDATIONS FOR USE FOR THE DRIVER

⚠ WARNING

Most of the accidents related to the use, maintenance and repair of the telehandler are due to the non-application and non-observance of the most basic safety rules.

By identifying the risks to which you expose yourself and taking all necessary precautions, you can avoid these accidents.

⚠ WARNING

All operations or maneuvers not described in the instruction manual must be avoided, and in any case anyone who uses another method must first ensure that his own safety, that of others and the good condition of the telehandler are guaranteed.

Therefore, not being able to foresee all the dangerous situations, the recommendations and safety standards relating to the telehandler, given by the manufacturer and reported in this manual, are not to be considered exhaustive.

⚠ WARNING

Failure to comply with the safety regulations or the recommendations for use, maintenance or repair of the telehandler can cause serious injury, even death.

⚠ WARNING

We draw the attention of users to the risks they face, going at an excessive speed compared to the conditions of circulation, in particular:

- Risk of losing control on a rough road.
- Increased braking distance.



⚠ WARNING

The user must always be able to control the telehandler and therefore must:

Adapt the speed to any situation to preserve your own safety, that of others and that of your machine

Continuously evaluate the braking distance.

⚠ WARNING

Experience teaches us that there may be some contraindications to the use of the telehandler.

These foreseeable anomalous uses, the main ones of which are listed below, are formally prohibited.

1. The predictable abnormal behavior, which results from ordinary negligence, but which does not result from the will to misuse the machine.
2. The reflex behavior of a person in case of malfunction, accident, anomaly, etc. while using the telehandler.
3. The behavior resulting from the application of the "law of least effort" when performing a task.
4. For some machines, the predictable behavior of certain categories of people, such as:
 - 4.1. apprentices,
 - 4.2. handicapped,
 - 4.3. staff in training.
5. Drivers tempted to use the telehandler for betting, competitions or from personal experience

⚠ WARNING

The plant or site manager must take these criteria into account when assessing a person's ability to drive.

Familiarize yourself with the telehandler on the ground where it will be used.

Transport the load in the low position and with the telescopic boom retracted to the maximum (transport condition).

Position the forks perpendicular to the load to be lifted.

Drive the telehandler at a speed appropriate to the conditions and condition of the ground.

Never go too fast or brake hard with a load.

When picking up a load, make sure the ground is as even as possible.

Do not attempt to perform operations that exceed the capabilities of the telehandler.

Do not lift a load greater than the capacity of the telehandler and do not increase the size of the counterweight.

Go around the obstacles.

Pay attention to electric cables, ditches, recently excavated or brought back land.

Never leave the engine running in the absence of the driver.

Use the parking brake when placing a difficult load or on sloping ground.

Never leave the telehandler parked with a raised load.

Do not allow anyone to approach or pass under a load.

Always think about safety and only carry well-balanced loads.

Never lift a load using only one fork.

Drive carefully and alert.

When the telehandler is not in use, lower the forks to the ground and apply the parking brake.

Never leave the ignition key on the telehandler when the driver is absent.

Do not leave the telehandler loaded on a slope greater than 15% even with the parking brake applied.

When lifting a load, make sure that nothing or no one hinders the movement and avoid making false maneuvers.

Observe the data indicated on the load diagrams.

Never carry another person on the telehandler.

⚠ WARNING

Whenever a tool is changed, to avoid damaging the hydraulic fittings it is necessary to:

stop the three-phase motor and wait about 1 minute to release the pressure from the circuit.

Wait about 1 minute to release the pressure from the circuit.

⚠ CAUTION

The use of the telehandler is prohibited in protected spaces (e.g. : Refineries, explosive atmosphere).

For use in these spaces, specific optional attachments exists. Contact your agent or dealer.

1.4. DRIVING INSTRUCTIONS

1.4.1 DRIVER SEAT PROVISIONS

1. Wear clothing suitable for driving the telehandler, avoiding those that are too loose. Never ride with wet or greasy hands or shoes.
2. For better comfort, adjust the driver's seat and adopt a good driving position.
3. The driver must always maintain the normal driving position.
4. Always fasten and adjust the seat belt.
5. The control components must never be used for purposes other than those for which they are designed (e.g. : Getting on or off the telehandler, hanging clothes, etc.).

⚠ DANGER

Never allow passengers to get on the telehandler or in the driver's seat.

⚠ DANGER

It is forbidden to protrude arms and legs and, in general, any part of the body, outside the driving position of the telehandler.

1.4.2 BEFORE STARTING THE FORKLIFT

1. Check the condition and pressure of the tires.
2. Before starting, check the fluid levels:
 - 2.1. Thermal engine oil.
 - 2.2. Hydraulic tank oil.
 - 2.3. Transmission oil.
 - 2.4. Coolant.
3. Check for oil, fuel or liquid leaks on the telehandler.
4. Make sure that the engine cover is closed and locked correctly.

⚠ DANGER

The user, whatever his level of experience as a handler, must familiarize himself with the location and use of all the control and command instruments before putting the telehandler into service.

1.4.3 STARTING THE FORKLIFT

⚠ DANGER

The telehandler can only be started or maneuvered when the driver is in the driver's seat, with the seat belt fastened and adjusted.

⚠ CAUTION

Do not tow or push the forklift to start it.

This maneuver could cause serious damage to the transmission. If it is necessary to tow the telehandler, put the gearbox in neutral position.

1. Verify that the reverse gear lever is in idloff.
2. Turn the ignition key to position I to allow electrical contact.
3. Check the fuel level on the gage.
4. Turn the ignition key to position II to allow preheating and wait 15 seconds. (If environmental conditions so require)

⚠ DANGER

Do not activate the starter for more than 15 seconds, and allow it to preheat for 10 seconds between all attempts.

5. Turn the ignition key fully.
6. Release the ignition key and let the engine run at low speed.
7. Look at all control instruments immediately after starting, with the engine warm, and at regular intervals during use, in order to quickly identify and resolve any faults. If any of the instruments indicates a fault, stop the engine and carry out the necessary operations right away.

⚠ DANGER

Before operating in very cold climatic environments, wait for the three-phase motor and hydraulic systems to warm up correctly.

1.4.4 TELEHANDLER GUIDE

⚠ DANGER

The use of the seat belt is mandatory and must be adjusted to the height of the operator.

While driving the telehandler, the door must be closed.

- Always fasten and adjust the seat belt.
- Close the door.
- Practice driving the forklift on the ground where it will operate.
- Check the efficiency of the service brakes and the horn.
- Drive appropriately by choosing the appropriate speed for the conditions and the type of terrain.
- Slow down before making a turn.
- Be in control of the forklift and its speed under all circumstances.
- On wet, slippery or uneven ground, drive slowly.
- Brake progressively, avoid sudden braking.
- Act on the reverser of the telehandler only when the machine is stationary, avoiding sudden maneuvers.
- Always remember that the hydraulic steering is very sensitive to the movements of the steering wheel, therefore it is necessary to steer progressively and not jerky.
- Never leave the engine running without the driver.
- Always look in the direction of travel and maintain good visibility of the route. Use the side mirrors frequently, and check their condition, cleanliness and adjustment.
- Do not use the forklift in dark or poorly lit environments.
- At night, check that the telehandler is equipped with work lights.
- Get around the obstacles.
- Do not enter a loading bridge without having checked:
 - That it is correctly positioned and anchored.
 - That the vehicle to which it is connected (wagon, truck, etc.) cannot be moved.

- That this bridge can bear the total weight of the telehandler and its load.
- That the width of the bridge is adequate for that of the forklift.
- That the width of the bridge is adequate for that of the forklift.
- Never enter a gangway, a platform or a freight elevator without being sure that they are designed for the weight and dimensions of the telehandler and its load, and without having checked that they are in good condition.

⚠ CAUTION

The travel speed of the loaded telehandler must never exceed 5 km/h (3.1 mph).

⚠ DANGER

Move the telehandler into transport position, i.e. boom retracted and 300 mm (11.8 in) from the ground.

1. Check the transmission oil level.
2. Place the forks or attachment in the transport position, i.e. boom retracted and 300 mm (11.8 in) above the ground.
3. Place the reverse lever in the desired position.
4. Release the parking brake and accelerate gently to allow the telehandler to move.

1.4.5 STOPPING THE TELEHANDLER

- Before stopping the telehandler after intense work, let the three-phase motor idle for a few moments to allow the coolant and oil to lower the engine and transmission temperatures.
- Never leave the ignition key on the telehandler without the driver.
- When the telehandler is stationary, place the forks or attachment on the ground, place the shift lever in neutral, apply the parking brake and place the marine gear lever in neutral.
- If the driver has to leave the driver's seat, even temporarily, apply the parking brake and put the gearbox lever in neutral.
- Make sure the telehandler is parked in such a way as not to impede traffic and at least one meter away from the railroad tracks.
- In case of prolonged parking, protect the telehandler from bad weather, particularly in the

event of frost (check the antifreeze level), close the rear window, lock the cabin door and the engine cover.

⚠ DANGER

Before leaving the driver's seat, make sure you have carried out all the stopping operations of the telehandler correctly.

1. Park the telehandler on level ground or with a slope of less than 15%.
2. Place the reverse gear lever in idles.
3. Apply the parking brake.
4. Fully retract the boom.
5. Place the forks or the attachment on the ground.
6. Switch off the three-phase motor.
7. Remove the ignition key.
8. Check that the door is locked and that the rear window and engine cover are also closed.

1.4.6 DRIVING THE TELEHANDLER ON THE ROAD

- Drivers of forklifts traveling on the road must comply with the general regulations relating to road traffic.
- The telehandler must comply with the traffic regulations of your country.

⚠ DANGER

The transport of loads by road is prohibited and the attachments mounted on the telehandler must be equipped with the required equipment or be disassembled.

⚠ DANGER

The vehicle can travel on public roads only empty, i.e. unladen.

Transportation of people is prohibited.

1. Verify that the flashing lights are installed and functioning.
2. Always fasten and adjust the seat belt.
3. Close the door.
4. Dipped beam headlights also on during the hours and in the streets where the use of visual signaling and lighting devices is not required.
5. Check the correct operation and cleanliness of the headlights, indicator lights and windscreen wipers.

6. Check the position of the rear view mirrors.
7. Check wheel alignment and push the steering selector to the drive position with front steering wheels only.
8. Make sure there is enough fuel.
9. Fit all the attachments required for road traffic (according to model and country).
10. Put the boom in the transport position, i.e. boom retracted and 300 mm (11.8 in) above the ground.
11. Level the machine with the chassis parallel to the ground using the tilt corrector.
12. Raise and retract the stabilizers as far as possible.
13. The vehicle can travel on public roads only empty, i.e. unladen.

1.5. HANDLING INSTRUCTIONS

1.5.1 HANDLING INSTRUCTIONS

- Check the conformity of the attachments with the calibration of the safety system of the machine.
- Check the proper functioning of the telehandler attachments.
- Do not perform operations that exceed the capabilities of the telehandler or attachment.
- It is forbidden to increase the counterweight value whatever the artifice used.
- It is strictly forbidden to transport or lift people with the telehandler, unless it is equipped for this purpose and provided with the certificate of conformity relating to lifting people.
- Avoid making long journeys in reverse.
- Carry out slow and progressive maneuvers to raise and lower the telescopic boom (even without load).

NOTICE

The machine with rotated turret, telescopic boom extended and raised over 3 m does not translate.

- Check that the attachment is correctly installed and locked on its holder.
- Verify that you have set the safety system in the cabin in accordance with the attachment fitted.
- Respect the limits of the attachment load chart.
- Check that the pallets, crates, etc. are in good condition and suitable for the load to be lifted.
- Position the forks perpendicular to the load to be lifted, taking into account the position of the center of gravity of the load.

1.

SAFETY

- Never lift a load with only one fork.
- Never lift a sling load with a single fork or with a forks carriage.
- If not used, place the attachment horizontally on the ground (prop up unstable attachments correctly).
- Check that the hydraulic quick couplings of the attachment circuit are clean and protected.

⚠ WARNING

Before each change of hydraulic attachment, in order to avoid deterioration of the hydraulic quick couplings it is necessary to:

Before each change of hydraulic attachment, in order to avoid deterioration of the hydraulic quick couplings it is necessary to:

Wait about 1 minute to release the pressure in the hydraulic circuit.

- Verify that there is adequate lighting.
- When lifting a load, be careful that nothing or nobody hinders the correct execution of the operation and avoid any false maneuvers.
- In the case of work carried out near overhead power lines, make sure that the safety distance between the working area of the telehandler and the power line is sufficient.

⚠ DANGER

You risk being electrocuted or seriously injured if you work or park the telehandler too close to electrical cables.

We strongly advise you to make sure that the safety rules applied on the site comply with local regulations in force regarding all types of work carried out in the vicinity of power lines.

- Forbid anyone to approach the maneuvering area of the telehandler or to pass under a load.

⚠ DANGER

For use on sloping ground, before raising the boom, check that the ground is level.

Telehandlers equipped with level corrector and/or stabilizers can operate on transverse slopes, provided that this inclination is corrected.

- Check that the scaffolding, the loading surface or the stack can support the load.
- Make sure of the stability and compactness of the ground before placing the load.

- Movements on longitudinal slopes:
 - Advance and brake smoothly.
 - Unladen movement: The forks or attachment facing downstream.

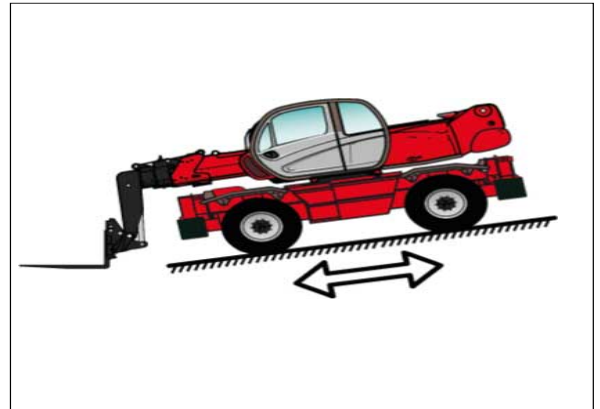


Figure 1:

- Laden movement: The forks or attachment facing upstream.

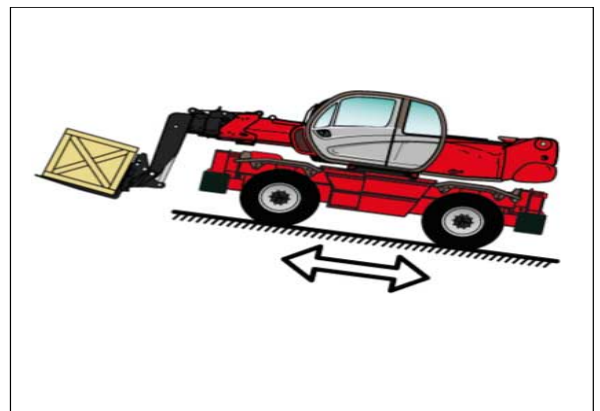


Figure 2:

⚠ DANGER

Always observe the safety rules, always carry loads balanced and correctly arranged to avoid any risk of overturning.

1. Fully insert the forks under the load and move it to transport position (forks 300 mm from the ground, boom fully retracted and forks tilted back).
2. For obvious reasons of telehandler stability and good visibility, move the telehandler only when the boom is in the transport position.
3. Only operate the telehandler with the boom raised in exceptional cases; then operate with extreme caution, at very low speed and braking very gently.

4. Make sure you always have sufficient visibility, possibly be guided by another person.
5. Keep the load stable when the telehandler is in motion.
6. Never advance too fast or brake sharply with a load.
7. During handling operations, drive at reduced speed.
8. Monitor the load, especially when cornering, especially if it is bulky.
9. Sling unstable loads.
10. Handle loads carefully, at low speed and without jerks, especially when you take them to great heights and with considerable overhang.
11. In case of strong wind or storm, do not carry out movements that are potentially dangerous for the stability of the telehandler and the load, do not change direction abruptly and at high speed.
12. Use the parking brake to place or lift a difficult load or on sloping ground.
13. Never leave the forklift stationary with a lifted load.
14. Do not leave the telehandler, laden or empty, with the parking brake applied on a slope greater than 15%.
15. Always have good visibility of the route, both in direct vision and in indirect vision, i.e. with panoramic rear view mirrors, to check for the possible presence of people, animals, holes, obstacles, slope variations, etc.
16. Visibility may be reduced on the right side when the boom is raised; therefore make sure that the route is well visible before raising the boom and before maneuvering.
17. If forward visibility is insufficient due to the bulk of the load, drive in reverse. This maneuver has an exceptional character and can only be carried out for short distances.
18. Make sure you have good visibility (clean windows, sufficient lighting, adjusted rear view mirror, etc.).
19. The signaling systems and lights of the telehandler must be suitable for the conditions of use. The standard illumination of the machine is not sufficient for use in low-light environments or for use at night.

⚠ DANGER

If the telehandler overturns, do not attempt to get out of the cabin during the accident.

Always drive with seat belts fastened. Being seated in the cabin is your best protection.

1.6. HANDLING OF A LOAD

1.6.1 LOAD WEIGHT AND CENTER OF GRAVITY

⚠ WARNING

It is forbidden to lift and transport a load greater than the rated capacity of the telehandler or attachment.

- Before lifting a load, you need to know its weight and center of gravity.
- The load chart for your telehandler is valid for a load whose center of gravity is 500 mm from the heel of the forks.

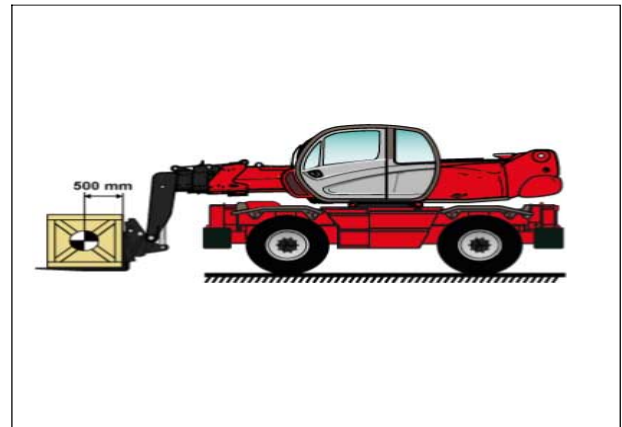


Figure 3:

- For uneven loads, determine the center of gravity in the transverse direction before each movement.

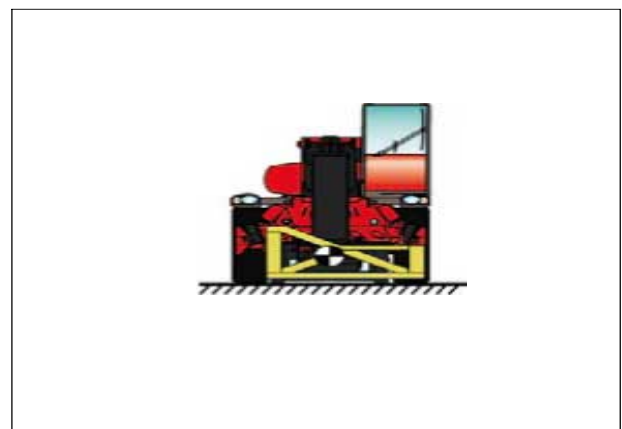


Figure 4:

1.

SAFETY

⚠ WARNING

For loads with a mobile center of gravity (for example: liquids), it is necessary to take into account the variations in the center of gravity to determine the load to be handled and to pay particular attention and prudence in order to limit these variations to the maximum.

1.6.2 PICKING UP A LOAD FROM THE GROUND

1. Move the telehandler perpendicular to the load, with the boom retracted and the forks horizontal.

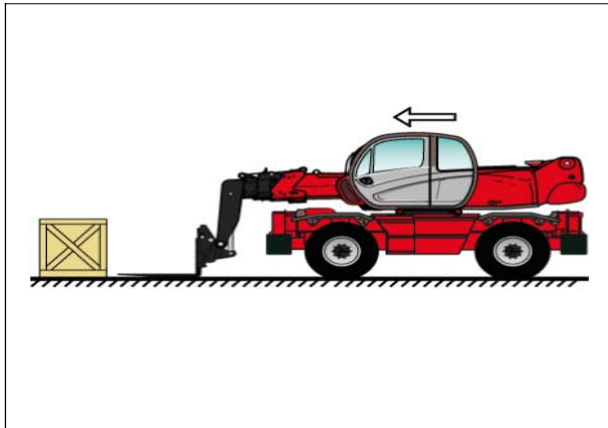


Figure 5:

- 2.

⚠ WARNING

Beware of the risk of pinching or crushing of limbs during manual adjustments of the forks.

Always maintain an equal distance between the forks and the central axis of the forks carriage to ensure perfect stability of the load.

Adjust the offset and centering of the forks with respect to the load.

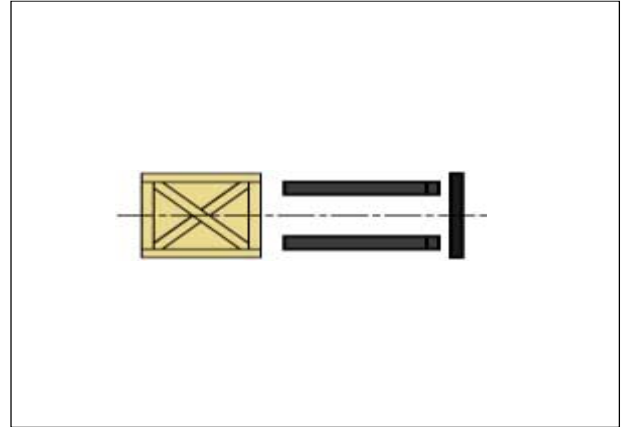


Figure 6:

3. - Slowly advance the telescopic handler (1), and move the forks against the load, if you need to raise the boom (2) slightly when picking up the load.

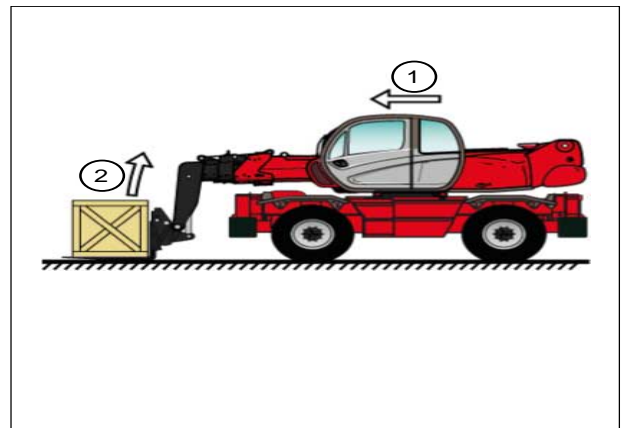


Figure 7:

4. Apply the parking brake and place the reverse lever in idleoff.

- Slightly raise the load (1), tilt the forks carriage (2) back into transport position.

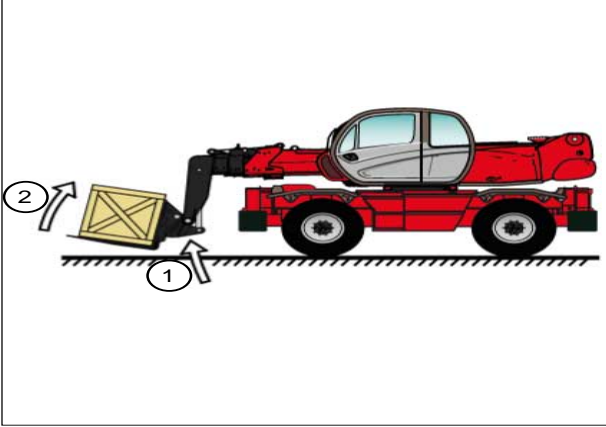


Figure 8:

⚠ WARNING

Tilt the load sufficiently backwards to ensure stability (loss of load during braking), but be careful not to change its balance.

1.6.3 PICK UP A LOAD UP ON TIRES

⚠ WARNING

It is strictly forbidden to pick up a load if the telehandler is not level

- Check that the forks pass easily under the load.
- Move the telehandler perpendicular to the load with the horizontal forks, maneuvering gently and carefully.

⚠ WARNING

Remembering to always keep the distance necessary to insert the forks under the load, between the stack and the telehandler, using the minimum possible length of the boom.

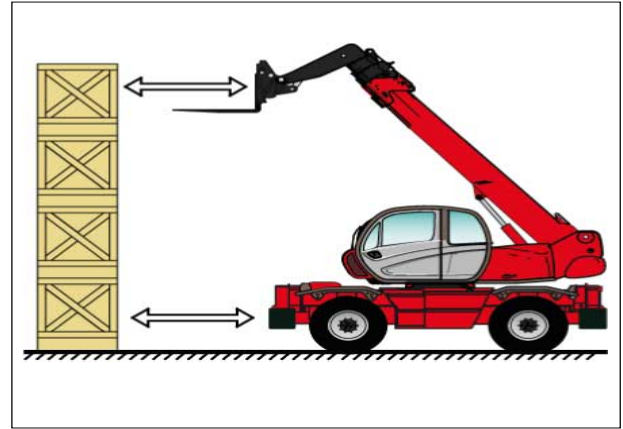


Figure 9:

- Bring the forks against the load. Apply the parking brake and place the reverse lever in idlesoff.

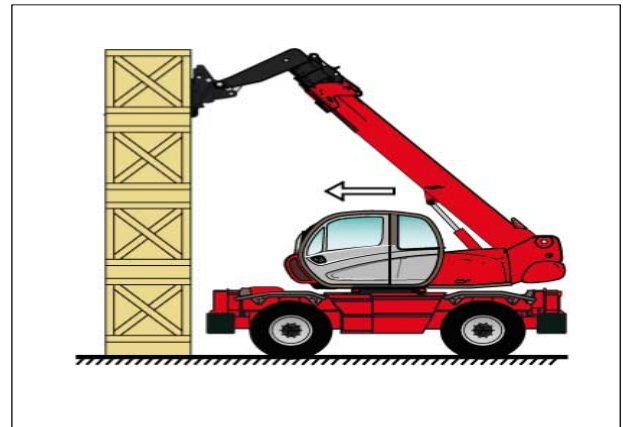


Figure 10:

- Slightly lift the load (1) and tilt the forks carriage (2) back to stabilize the load

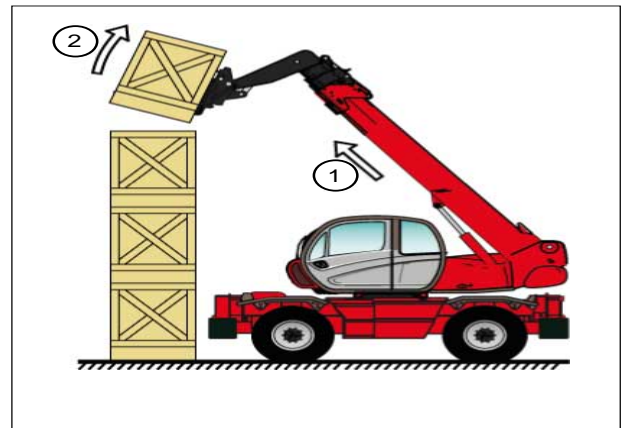


Figure 11:

-

1.

SAFETY

⚠ WARNING

Tilt the load sufficiently backwards to ensure stability (loss of load during braking), but be careful not to change its balance.

If possible, lower the load without moving the telehandler.

- 5.1. Raise the boom (1) to remove the load,
- 5.2. retract (2) and lower the boom (3) to bring the load into transport position.

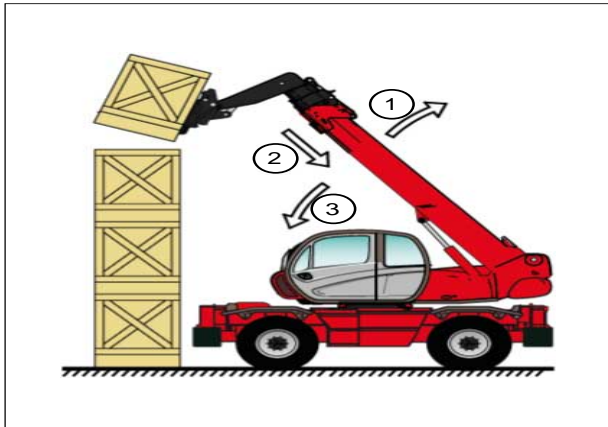


Figure 12:

6. If this is not possible, move the telehandler back.
 - 6.1. Maneuvering very gently and with extreme caution, move the telehandler (1) back to remove the load,
 - 6.2. retract (2) and lower the boom (3) to bring the load into transport position.

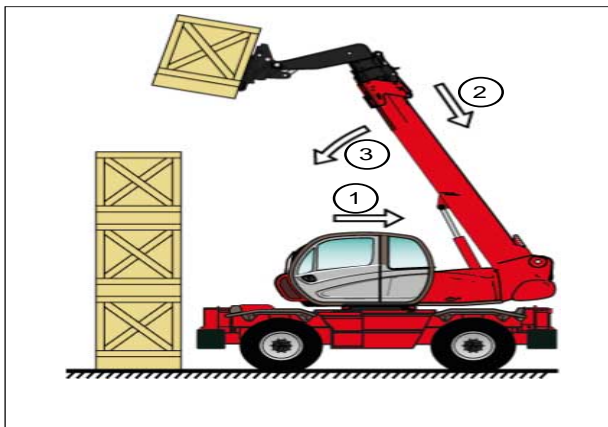


Figure 13:

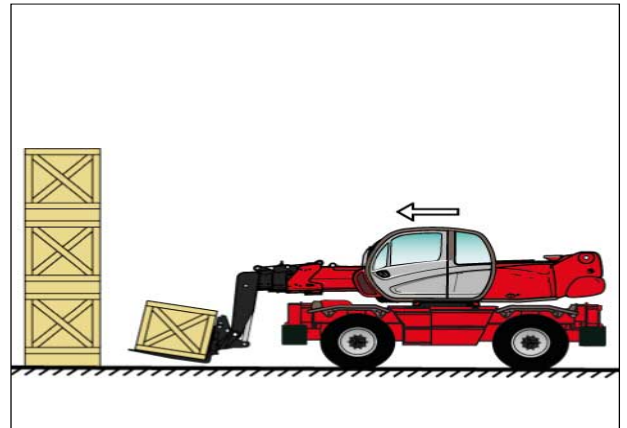


Figure 14: Load in transport position

1.6.4 PICKING UP A LOAD WITHOUT A PALLET

1. Tilt the forks (1) forward and extend the boom (2) while at the same time tilting the forks (3) back to insert the forks under the load. If necessary, stop the load with a wedge.

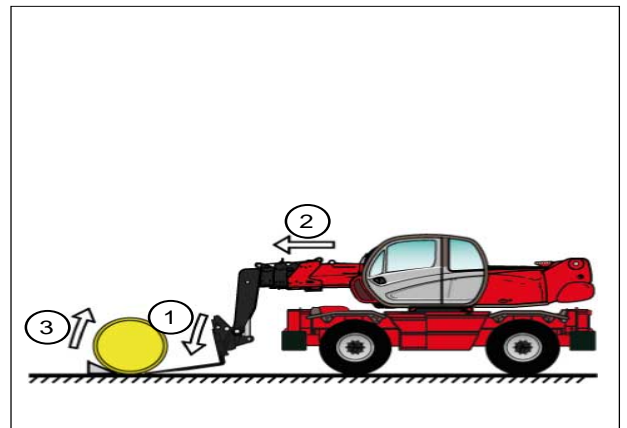


Figure 15:

1.6.5 LOAD STATUS INDICATOR DEVICE

1. Always observe the load status indicator during handling.



1.7. INSTRUCTIONS FOR USING THE RADIO CONTROL

1.7.1 RECOMMENDATIONS FOR USING THE REMOTE CONTROL

Compliance

Each remote control complies with Directive 1999/5 / EC (RTTE) and its essential requirements. Each remote control also complies with the harmonized standards reported in the EC declaration of conformity.

Radioelectric connection

The two units communicate with each other continuously via a radio link. This is a necessary requirement to ensure the safety of the remote controlled machine. The units encode messages using an address stored in the S-KEY and in the code key present in the connector of the receiving unit. This address is unique, univocal (specific for each remote control) and not reproducible. Each unit can only decode messages from the unit that has the same address. This excludes that a message from another radio device activates any system function.

The units send each other the coded messages:

- those sent by the transmitting unit contain the operating commands that will be implemented by the machine;
- those sent by the receiving unit contain useful information for the automatic management of the working frequency and information regarding the measurements carried out on the machine (Data Feedback function).

Frequencies

The radio connection between the remote control units takes place at one of the frequencies permitted by the regulations in force at the time of placing on the market.

Safety functions

The remote controls are equipped with some functions that provide a high level of safety in order to preserve the safety of people and things.

Stopping function

The stop function brings the machine to a safe state whenever it needs to be stopped due to a potentially dangerous situation. Depending on the case, this function is activated voluntarily by the operator (active stop) or intervenes automatically and autonomously (passive stop).

Active stopping

Active stopping is a function activated by the STOP button. The transmitting unit sends a command to the receiving unit to stop the machine immediately. Stopping the machine using the STOP button takes place in a shorter time than that obtained through the passive stop.

Passive stopping

Passive stopping is a function that intervenes as a consequence of an anomalous situation that occurs during operation. When the radio connection is incorrect or interrupted, the receiving unit decides autonomously to stop the radio control. Protection from unwanted movements from the UMFS rest position. This safety function protects the "machine + remote control" system from unwanted movements, understood as machine movements not activated voluntarily by the operator, but caused by any electrical and mechanical failures of the radio control. This protection controls the neutral (rest) position of the actuators that control the movements in the machine. Whenever one of these actuators is operated, the transmitting unit sends both the motion command and the command.

SAFETY

Depending on the application, the outputs relating to these commands are wired in series or the outputs of the SAFETY command pilot the safety device provided on the machine.

⚠ WARNING

In addition to all the indications imposed by the manufacturer of the machine, by the installer of the remote control and by the person in charge of safety in the work area, an operator must always respect the following warnings:

The transmitter unit must be used in an easy and comfortable way, preventing it from falling accidentally. The strap supplied with the remote control serves this purpose.

Put yourself in a position that allows direct control of the remote controlled machine and of the movements of the load, as well as in a position that guarantees its safety conditions with respect to other operations and/or activities and/or processes that take place in the workplace .

Never start up or use the transmitter unit in work situations in which you may lose your balance or trip.

Always check the correct mechanical functioning of the STOP button. If it is impossible or difficult to operate this button, do not use the remote control.

Never start the transmitter unit except to start working: improper use could cause dangerous situations.

Never start or operate the transmitter unit in closed places, out of sight or out of the range of action typical of the radio control: even in these cases it is possible to create a radio connection with the risk of making the remote controlled machine execute unwanted commands.

During normal operation, follow all the movements of the machine and of the load by direct visual control while remaining within the operating range of the remote control.

Pay attention to visual and acoustic warnings and signals and take all precautions and actions necessary to prevent the movement of the remote controlled machine from creating dangerous situations for people and/or things.

Pay attention to the entire work area and intervene immediately by pressing the STOP button when a dangerous situation arises.

Avoid touching the metal part of the receiving unit as it could reach high and potentially dangerous temperatures.

In case of malfunction, shut down the "machine + remote control" system until the problem is completely eliminated.

After using the remote control, turn off the transmitter unit when suspending or temporarily interrupting work, avoiding leaving the load suspended (even when replacing the discharged battery).

Never leave the transmitter unit unattended with the S-KEY inserted.

Always store the S-KEY in a safe place whenever it is removed from the transmitter unit.

If this key is lost, it is impossible to operate the remote control as the transmitting unit needs the address stored in the key to work with the relative receiving unit.

⚠ WARNING

Remote control life cycle

To ensure safe and long-lasting use of the remote control, it is necessary to carefully follow the instructions relating to each phase of the product's life:

- transport: a remote control must be transported and kept in its original packaging until it is installed on the machine.
- installation: the installation and testing of the remote control must be carried out exclusively by qualified personnel, possessing the necessary technical knowledge to carry out these operations and qualified according to the provisions of the country in which the assembly is carried out.

Only a correct installation can ensure a safe use of the remote control.

Usage:

a radio remote control must be used by qualified and adequately trained personnel.

Radio remote control maintenance:

the following instructions provide information to safely carry out routine and extraordinary maintenance operations on the remote control:

- routine maintenance is the operation or set of operations necessary to maintain the normal conditions of use of the remote control through set-up, verification, scheduled replacement of the parts, which are made necessary by normal use of the remote control.
- Extraordinary maintenance is the operation or set of repair operations necessary for breakdowns, breakages or malfunctions of the remote control, which have the purpose of restoring the original conditions of use and operation.

Before calling in the service technicians of the machine manufacturer, it is advisable:

- to have read and understood this manual in all its parts, checking that all the instructions contained therein have been correctly carried out
- to have followed the instructions to search for possible malfunctions and their causes.

Any faults can only be repaired by authorized personnel, contact the MANITOU assistance service.

To make a faster and more effective intervention possible, the data for a correct and complete identification of the remote control must be communicated:



1. serial number (S/N) of the remote control and the TU ID (identification number of the transmitter unit)
2. date of purchase (shown on the certificate of warranty)
3. anomaly found
4. address and telephone number of the place where it is used

All remote control set-up and maintenance interventions must be checked and recorded by the machine maintenance manager.

In case of breakdown, emergency, or damaged parts, the "machine + remote control" system must be put out of service until the problem is completely eliminated.

Before any maintenance operation, remove the transmitter unit battery and the receiver unit power supply.

After each maintenance operation, always check that the commands sent by the transmitting unit only activate the planned maneuvers.

Scrapping of the remote control.

For scrapping, entrust the remote control to the differentiated scrap recovery service existing in the area.

In particular, be careful when recycling batteries by applying local regulations.

Do not dispose of them with household waste.

General operating instructions

Starting the remote control.

The start-up of the remote control consists in establishing the radio connection between the transmitter and receiver units. To achieve this, it is necessary:

- to power the receiving unit respecting the voltage limits indicated in the technical data. The POWER LED lights up,
- insert a fully charged battery in the transmitter unit,
- insert the S-KEY in the transmitter unit
- press the START button on the transmitter unit until the POWER LED on the receiver unit and the green LED on the transmitter unit start flashing slowly.

Activation of commands

With the remote control started, it is possible to operate the joysticks, buttons and selectors relating to the command to be carried out.

To know the correspondence between the actuators and the operations of the machine, the operator must be adequately trained regarding the symbols present on the panel of the transmitting unit.

Data Feedback function

The Data Feedback function makes the information and/or signals regarding the machine he is controlling available to the operator.

During normal operation of the remote control, pay attention to the indications displayed and signaled by the display or by the LEDs: they are an aid in assessing the operating situation in which the machine is located.

When operating and controlling the machine, consider that the remote control does not intervene autonomously in the potential danger situations displayed and signaled.

Operation with display

If there is a display in the transmitting unit, the signaling icons, the values of the measurements carried out in the machine and their descriptions can be displayed.

Operation with LEDs.

If there are LEDs in the transmitter unit, when they turn on, it indicates particular conditions of the machine.

Interruption of the radio connection.

When the radio connection is incorrect or interrupted for a certain time, the passive stopping function intervenes.

The green LED of the transmitter unit changes from slow to fast flashing.

The POWER LED of the receiving unit changes from flashing to steady on.

To start the remote control, press the START button.

Automatic switching off of the transmitter unit.

The automatic switching off of the transmitting unit occurs when:

- the battery is flat, the remote control is not used for a set time,
- the transmitting unit remains powered for eight hours without ever being turned off.
- The green LED of the transmitter unit goes out.
- The POWER LED of the receiving unit changes from flashing to steady on.
- To start the remote control, press the START button.

Low battery

The transmitter unit signals if the battery is not sufficiently charged (the red LED flashes accompanied by an acoustic signal). After 3.5 minutes from the start of the signal, the transmitting unit switches off automatically. You need to replace the battery with a charged one.

Non-use of the transmitter unit

If the transmitting unit remains on for a time equal to the "auto-off time" without the commands being activated, it switches off automatically.

Continuous use

The transmitter unit signals if it has never been switched off after eight hours (the red LED flashes accompanied by an acoustic signal). After 3.5 minutes from the start of the signal, the transmitting unit switches off automatically.

Switching off of the transmitter unit

The transmitter unit must be switched off every time work is suspended: remove the S-KEY and always put it in a safe place.

Switching off the receiver unit

The receiver unit must be switched off every time the remote control is not used to control the machine. To turn off the unit, it is necessary to disconnect the power supply.

1.8. TRANSLATION OF THE VEHICLE BY RADIO CONTROL

1.8.1 TRANSLATION OF THE TELEHANDLER BY REMOTE CONTROL OR PLATFORM (OPTIONAL)

The telehandler can be equipped with a remote control or wire control (radio control positioned on the platform) which allows the translation (movement) of the vehicle remotely or from the platform (basket).

The remote control is equipped with an additional joystick to control the translation of the vehicle in both directions of travel and the steering of the wheels. In addition, on the remote control there are commands that allow the choice of the type of steering (road circulation, lateral movement or reduced turning radius) and the commands to activate the stabilizers.

The movement of the vehicle controlled by remote control must be used ONLY to position the telehandler in a new work area adjacent to the previous one.

Each translation movement must be confirmed by the operator using the "Driving function consent button" located on the left side of the remote control.

⚠ DANGER

During remote controlled travel, the vehicle speed is reduced to 3 km/h and the hydraulic movements are deactivated.

1.8.2 SAFETY REQUIREMENTS FOR TRANSLATION BY REMOTE CONTROL

When moving the vehicle controlled by remote control, in addition to the safety requirements already described for driving the telehandler, the safety requirements listed below must be respected.

- The operator must:
 - make sure that the remote control is working and the battery is charged,
 - make sure that the stabilizers are raised and fully retracted,

- make sure that the turret is centered or rotated by a maximum of 3°,
- make sure that there are no people in the working area of the machine,
- make sure there are no people in the cabin,
- ensure that within a radius of 15 m (49.2 ft) from the vehicle there are no obstacles, dips, descents or climbs that affect the stability of the vehicle,
- always have good visibility of the course to check for the possible presence of people, animals, holes, obstacles, slope variations, etc.,
- follow the vehicle during translation, walking at a safe distance sufficient not to interfere with the range of action of the machine,
- never position himself in the direction of travel of the vehicle,
- make every movement very carefully, avoiding sudden slowdowns.
- Translation is allowed:
 - for short distances in transport position, i.e. boom retracted and 300 mm (11.8 in) above the ground,
 - to position the vehicle in a new work area adjacent to the previous one.
- During the translation it is forbidden to:
 - rotate the turret,
 - lower the stabilizers,
 - raise or extend the telescopic boom,
 - tilt the attachment,
 - operate the attachment hydraulically,
 - lose eye contact with the vehicle,
 - move away from the vehicle beyond 10 m (33 ft),
 - move away from the vehicle until it is completely stationary,
 - go up or down slopes with a gradient of more than 3°,
 - drive up or down slopes with a transversal slope greater than 3°,
 - make turns in narrow and sloping spaces,
 - run along public or private roads if they are not closed to traffic or the public or are not part of the construction site.

1.8.3 PLATFORM TRANSFER SAFETY REQUIREMENTS (BASKET)

When moving the vehicle controlled by wire control (remote control positioned on the platform), in addition to the safety requirements already described for driving



the telehandler, the safety requirements listed below must be respected.

- The operator must:
 - wear the fall arrest harness,
 - make sure the safety rope or restraint devices are firmly anchored to the platform,
 - make sure that the control station is functional,
 - make sure that the stabilizers are raised and fully retracted,
 - make sure that the turret is centered or rotated by a maximum of 3°,
 - make sure that the platform is perpendicular to the boom (i.e. not rotated),
 - make sure that there are no people in the working area of the machine,
 - make sure there are no people in the cabin,
 - ensure that within a radius of 15 m (49.2 ft) from the vehicle there are no obstacles, dips, descents or climbs that affect the stability of the vehicle,
 - always have good visibility of the course to check for the possible presence of people, animals, holes, obstacles, slope variations, etc.,
 - make every movement very carefully, avoiding sudden slowdowns.
- Translation is allowed:
 - for short stretches, with the number of permitted operators indicated for the platform in use,
 - in transport position, i.e. with boom retracted and at 300 mm (11.8 in) from the ground,
 - to position the vehicle in a new work area adjacent to the previous one.
- During the translation it is forbidden to:
 - rotate the turret,
 - lower the stabilizers,
 - raise or extend the telescopic boom,
 - tilt the platform,
 - rotate the basket,
 - go up or down slopes with a gradient of more than 3°,
 - drive up or down slopes with a transversal slope greater than 3°,
 - make turns in narrow and sloping spaces,
 - reverse stretches without the help of ground staff to assist with the maneuver,
 - run along public or private roads if they are not closed to traffic or the public or are not part of the construction site,

- step off the platform until the vehicle is completely stopped.

⚠ DANGER

During the translation from the platform, pay attention to the dimensions of the platform which could be even greater than that of the vehicle.

1.9. TELEHANDLER MAINTENANCE INSTRUCTIONS

1.9.1 RECOMMENDATIONS FOR MAINTENANCE

Before carrying out any routine or extraordinary maintenance on the telehandler, follow the instructions below.

⚠ WARNING

The vehicle is equipped with three ladders (front, rear and right side) that allow access to the walkable surface above the vehicle's undercarriage. The latter must only be used during maintenance operations and only to access the walkable surface.

It is not allowed to use the front, rear or right side ladder to access the vehicle cabin.

1. Read carefully and understand the instruction manual.
2. Switch off the three-phase motor before any intervention on the telehandler.
3. Wear appropriate clothing for the maintenance operations of the telehandler, avoiding jewelry and clothing that is too loose. If necessary, tie and protect the hair.
4. Make sure that the room is sufficiently ventilated before starting the telehandler.
5. Make any necessary repairs, even minor ones, immediately.

NOTICE

Pay particular attention to the disposal of consumables and used parts, making sure that it is carried out in maximum safety and in an eco-friendly way.

6. Repair any leaks, even the smallest ones, immediately.



7. Do not try to loosen fittings, hoses or a hydraulic component with the circuit under pressure.

⚠ WARNING

The modification of the adjustment and the disassembly of the counterbalance valves or of the safety valves which, at times, equip the jacks of the telehandler can be dangerous.

A counterbalance valve can only be removed with the concerned jack at rest and with the hydraulic circuit without pressure. This operation can only be carried out by authorized personnel.

8. Do not smoke or approach the telehandler with open flames when the fuel tank is open or filling.
9. Pay attention to the risk of burns (fume treatment system, hood, radiator, three-phase motor, etc.).
10. Disconnect the negative pole (-) from the battery before working on the electrical system.
11. Do not place metal pieces on the battery.
12. To carry out an electric welding on the telehandler, place the clamp of the negative cable of the welding machine directly on the piece to be welded in order to prevent very strong current from flowing through the alternator.

2. TECHNICAL DATA AND DESCRIPTION

2.1. MACHINE IDENTIFICATION

2.1.1 IDENTIFICATION OF THE ROTATING TELESCOPIC HANDLER

In order to make constant improvements to our products, some changes can be made to our range of telescopic handlers, without any obligation to inform our customers on our part.

For each spare part order or for each request for technical information, it is necessary to specify the following information.



In order to communicate all the numbers more easily, it is recommended to write them in the appropriate spaces upon delivery of the rotating telehandler

2.1.2 IDENTIFICATION OF THE ROTATING TELESCOPIC HANDLER

MANUFACTURER'S PLATE

Figure 16: Manufacturer's Plate of the Rotary Telehandler

Table 1. Manufacturer's Plate of the Rotary Telehandler

Ref.	Description	
1	Model	
2	Series	
3	Year of manufacture	
4	Year model	
5	Serial No.	
6	Unladen mass	
7	Power ISO / TR 14396	
8	Total Permitted Working Weight	
9	Nominal capacity	
10	Maximum lift capacity (on the towing hook)	
11	Drawbar pull	

2.1.3 HEAT ENGINE PLATE

Figure 17: Heat engine plate

Table 2. Heat engine plate

1	Model	
2	Displacement	
3	Engine number	

2.

TECHNICAL DATA AND DESCRIPTION

2.1.4 HYDROSTATIC PUMP PLATE

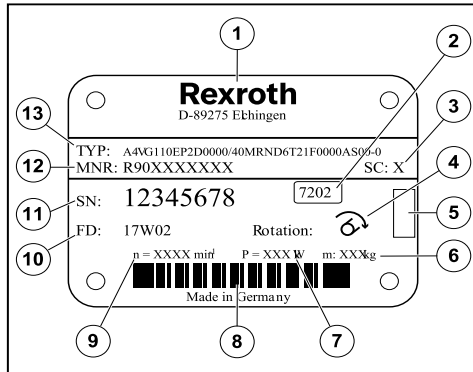


Figure 18: Hydrostatic pump plate

Table 3. Hydrostatic pump plate

1	Manufacturer	
2	Indoor plant designation	
3	Category (optional)	
4	Direction of rotation (seen on the motor shaft) - here: clockwise	
5	Specific area for inspection marking	
6	Weight (optional)	
7	Power	
8	Bar code	
9	Rotation speed	
10	Manufacturing date	
11	Serial number	
12	Material code of the axial piston unit	
13	Ordering code	

2.1.5 HYDROSTATIC MOTOR PLATE

HYDROSTATIC MOTOR PLATE 1

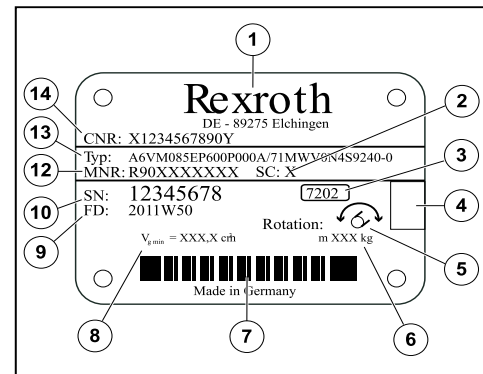


Figure 19: Hydrostatic motor plate 1

Table 4. Hydrostatic motor plate 1

1	Manufacturer	
2	Indoor plant designation	
3	Category (optional)	
4	Direction of rotation (seen on the motor shaft) - here: clockwise	
5	Specific area for inspection marking	
6	Weight (optional)	
7	Power	
8	Bar code	
9	Rotation speed	
10	Manufacturing date	
11	Serial number	
12	Material code of the axial piston unit	
13	Ordering code	
14	Customer material number	

HYDROSTATIC MOTOR PLATE 2

(depending on machine model)

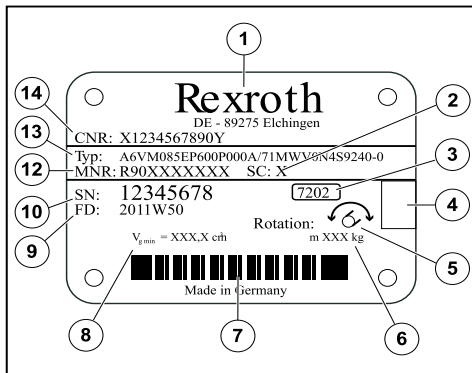


Figure 20: Hydrostatic motor plate 2

Table 5. Hydrostatic motor plate 2

1	Manufacturer	
2	Indoor plant designation	
3	Category (optional)	
4	Direction of rotation (seen on the motor shaft) - here: clockwise	
5	Specific area for inspection marking	
6	Weight (optional)	
7	Power	
8	Bar code	
9	Rotation speed	
10	Manufacturing date	
11	Serial number	
12	Material code of the axial piston unit	
13	Ordering code	
14	Customer material number	

2.1.6 GEARBOX PLATE



Figure 21: Gearbox plate

Table 6. Gearbox plate

1	Group type and model	
2	Serial No.	
3	MANITOU Reference	
4	Index of alteration	
5	Lubricant	

2.1.7 FRONT AXLE PLATE

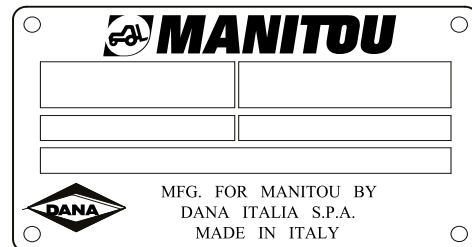


Figure 22: Front axle plate

Table 7. Front axle plate

1	Group type and model	
2	Serial No.	
3	MANITOU Reference	
4	Index of alteration	
5	Lubricant	

2.

TECHNICAL DATA AND DESCRIPTION

2.1.8 REAR AXLE PLATE

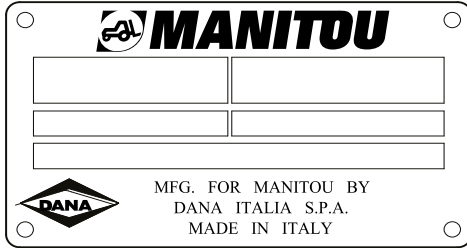


Figure 23: Rear axle plate

Table 8. Rear axle plate

1	Group type and model	
2	Serial No.	
3	MANITOU Reference	
4	Index of alteration	
5	Lubricant	

2.1.10 CHASSIS PLATE

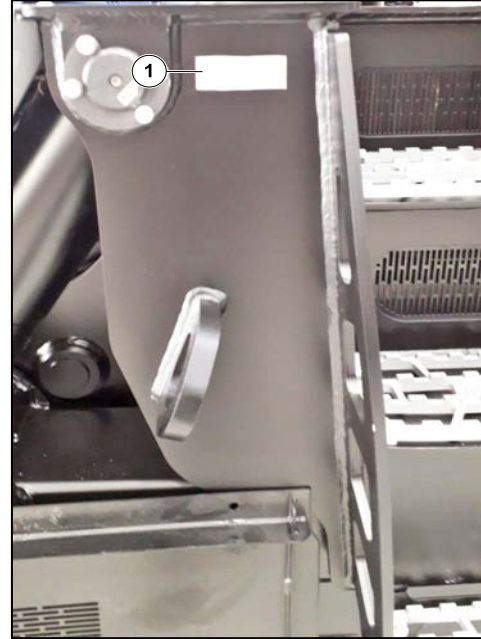


Figure 25: Chassis plate

Table 10. Chassis plate

Serial number / Product ID number	
-----------------------------------	--

2.1.9 CABIN PLATE

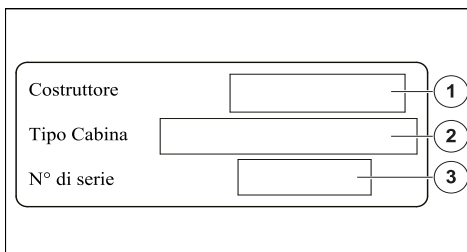


Figure 24: Cabin plate

Table 9. Cabin plate

1	Manufacturer	
2	Cabin type	
3	Serial No.	

2.1.11 ACCESSORY MANUFACTURER'S PLATE



Figure 26: Accessory manufacturer's plate

Table 11. Accessory manufacturer's plate

1	Model	
2	Serial number	
3	Year of manufacture	
4	Unladen mass	
5	Center of gravity	
6	Nominal capacity	
7	Service pressure	

2.2. TECHNICAL SPECIFICATIONS

2.2.1 FEATURES MRT 2260 AND 2660



The specifications provided are not binding on the manufacturer and may be subject to change without prior notice.



2.

TECHNICAL DATA AND DESCRIPTION

Table 12. Capacity (on stabilizers)

Description	Unit	MRT 2260		MRT 2660	
		kg - lb	6000	13200	6000
Maximum rated capacity with standard fork carriers and forks	kg - lb	6000	13200	6000	13200
Standard lifting height	m - ft	21.8	71.5	25.9	85
Forward reach with fork-carrier and standard forks	m - ft	18.2	59.7	21.7	71.2

Table 13. Weight and measurements

Description	Unit	Ref.	MRT 2260		MRT 2660	
			8.17	26.8	9.28	30.45
Total length (with forks)	m - ft	l1	8.17	26.8	9.28	30.45
Length to the face of the forks	m - ft	l2	6.97	22.87	8.08	26.51
Chassis length	m - ft	l14	5.69	18.67	5.69	18.67
Length from center of rotation to ballast	m - ft	a7	2.97	9.74	3.5	11.48
Total length to the stabilizers	m - ft	l12	5.30	17.39	5.30	17.39
External turning radius (above the tires)	m - ft	Wa1	4.22	13.85	4.22	13.85
Total width with extended stabilizers	m - ft	b7	5.78	18.96	5.78	18.96
Ground clearance under the front tires on the stabilizers	m - ft	m5	0.43	1.41	0.43	1.41
Overall width	m - ft	b1	2.50	8.20	2.50	8.20
Overall height	m - ft	h17	3.10	10.17	3.10	10.17
Overall cabin width	m - ft	b4	0.96	3.15	0.96	3.15
Ground clearance	m - ft	m4	0.36	1.18	0.36	1.18
Wheelbase	m - ft	y	3.05	10.01	3.05	10.01
Tilt-up angle	°	a4	12		12	
Tilt-down angle	°	a5	112		112	
Chassis leveling correction +/-	°	a9	7		7	
Overall weight	kg - lb		18000	39683.2	18000	39683.2
Fork section (length / width / section)	mm - in		1200 x 125 x 60	47.24 x 4.92 x 2.36	1200 x 125 x 60	47.24 x 4.92 x 2.36

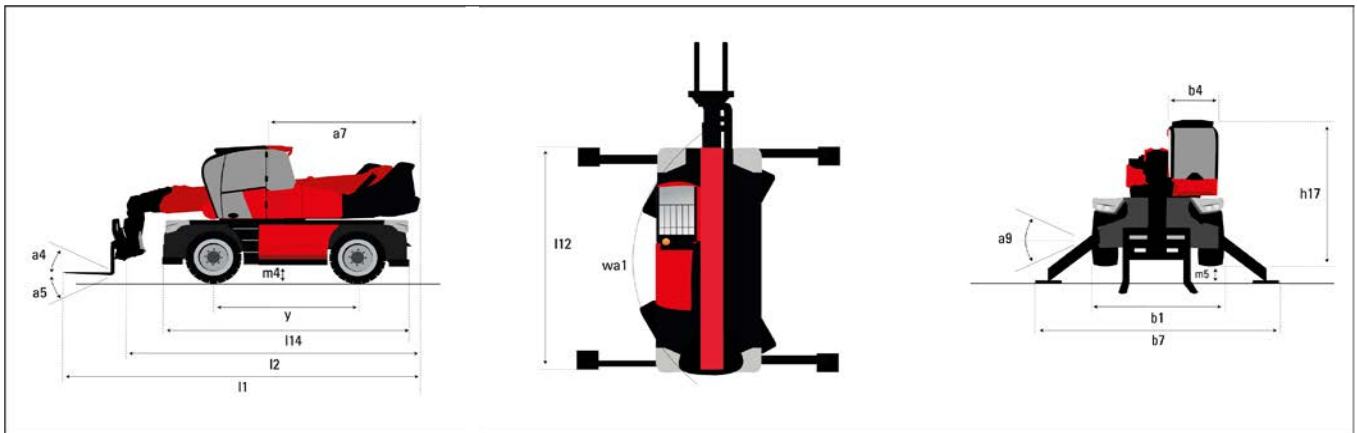


Figure 27: Measurements (side, front and top view)

Table 14. Tires (standard)

Description	MRT 2260	MRT 2660
Measurement	445/65 R22.5	445/65 R22.5
Driving wheels (front / rear)	2 / 2	2 / 2
Driving modes	2-wheel steer, 4-wheel concentric steer, 4-wheel "crab" steer	2-wheel steer, 4-wheel concentric steer, 4-wheel "crab" steer

Table 15. Stabilizers

Description	MRT 2260	MRT 2660
Type of stabilizers	Double telescopic	Double telescopic
Controls	Individual or simultaneous stabilizer controls	Individual or simultaneous stabilizer controls

Table 16. Engine

Description	Unit	MRT 2260	MRT 2660
Engine brand		Yanmar	Yanmar
Engine type (standard)	Stage / Tier	EU Stage V / US EPA Tier 4	EU Stage V / US EPA Tier 4
Engine model		4TN107FHT-6SMU1	4TN107FHT-6SMU1
Rated power (ISO / TR 14396)	HP / kW @ rpm	156 / 115 @ 2200	156 / 115 @ 2200
Maximum torque	Nm @ rpm	602 Nm @ 1500	602 Nm @ 1500
Number of cylinders - Displacement	- cm ³	4 - 4567	4 - 4567
Engine cooling system		Water cooled	Water cooled
Battery capacity / batteries		(24V) 2x12V - 120AH - 850 A (EN)	(24V) 2x12V - 120AH - 850 A (EN)

Table 17. Transmission

Description	Unit	MRT 2260	MRT 2660
Type of transmission		Hydrostatic	Hydrostatic
Number of gears (forward / reverse)		Speedshift (2/2)	Speedshift (2/2)
Maximum travel speed (unladen)	km / h	40	40

2.

TECHNICAL DATA AND DESCRIPTION

Description	Unit	MRT 2260	MRT 2660
Drawbar pull (laden)	daN	-	-
Parking brake		Automatic with negative action	Automatic with negative action
Service brake	Hydraulic	Multi-disc type in oil bath integrated in the front and rear axles	Multi-disc type in oil bath integrated in the front and rear axles

Table 18. Hydraulic circuit

Description	Unit	MRT 2260	MRT 2660
Type of hydraulic pump		LS pump	LS pump
Hydraulic flow	l / min	185 l / m	185 l / m
Hydraulic pressure	bar - PSI	350	5076.32

Table 19. Liquid capacity

Description	Unit	MRT 2260	MRT 2660
Motor oil	L - US gal	13	2.85
Hydraulic oil tank and transmission	L - US gal	260	57.2
Fuel tank	L - US gal	270	71.32
DEF (Diesel Emission Fluid) Tank	L - US gal	24	6.34

Table 20. Noise and vibrations

Description	Unit	MRT 2260	MRT 2660
Acoustic pressure in the driver's cabin LpA (according to NF EN 12053)	dB (A)	-	-
Guaranteed noise level in the environment LwA (according to Directive 2000/14 / EC modified by Directive 2005/88 / EC)	dB (A)	-	-
The weighted average acceleration transmitted to the boom system/ driver's hand (according to ISO 5349-2)	m / s ²	-	-

Table 21. Miscellaneous

Description	MRT 2260	MRT 2660
Driving wheels (front / rear)	2 / 2	2 / 2
Controls	2 Joysticks	2 Joysticks
Safety cabin approval	ROPS / FOPS (Level 2)	ROPS / FOPS (Level 2)
Attachment recognition system (E-Reco)	E-Reco	E-Reco

2.2.2 FEATURES MRT-X 2260 AND 2660



The specifications provided are not binding on the manufacturer and may be subject to change without prior notice.



Table 22. Capacity (on stabilizers)

Description	Unit	MRT-X 2260		MRT-X 2260	
Maximum rated capacity with standard fork carriers and forks	kg - lb	6000	13200	6000	13200
Standard lifting height	m - ft	21.8	71.5	25.9	85
Forward reach with fork-carrier and standard forks	m - ft	18.2	59.7	21.7	71.2

Table 23. Weight and measurements

Description	Unit	Ref.	MRT-X 2260		MRT-X 2260	
Total length (with forks)	m - ft	l1	8.17	26.8	9.28	30.45
Length to the face of the forks	m - ft	l2	6.97	22.87	8.08	26.51
Chassis length	m - ft	l14	5.69	18.67	5.69	18.67
Length from center of rotation to ballast	m - ft	a7	2.97	9.74	3.5	11.48
Total length to the stabilizers	m - ft	l12	5.30	17.39	5.30	17.39
External turning radius (above the tires)	m - ft	Wa1	4.22	13.85	4.22	13.85
Total width with extended stabilizers	m - ft	b7	5.78	18.96	5.78	18.96
Ground clearance under the front tires on the stabilizers	m - ft	m5	0.43	1.41	0.43	1.41
Overall width	m - ft	b1	2.50	8.20	2.50	8.20
Overall height	m - ft	h17	3.10	10.17	3.10	10.17
Overall cabin width	m - ft	b4	0.96	3.15	0.96	3.15
Ground clearance	m - ft	m4	0.36	1.18	0.36	1.18
Wheelbase	m - ft	y	3.05	10.01	3.05	10.01
Tilt-up angle	°	a4	12		12	
Tilt-down angle	°	a5	112		112	
Chassis leveling correction +/-	°	a9	7		7	
Overall weight	kg - lb		18000	39683.2	18000	39683.2
Fork section (length / width / section)	mm - in		1200 x 125 x 60	47.24 x 4.92 x 2.36	1200 x 125 x 60	47.24 x 4.92 x 2.36

2.

TECHNICAL DATA AND DESCRIPTION

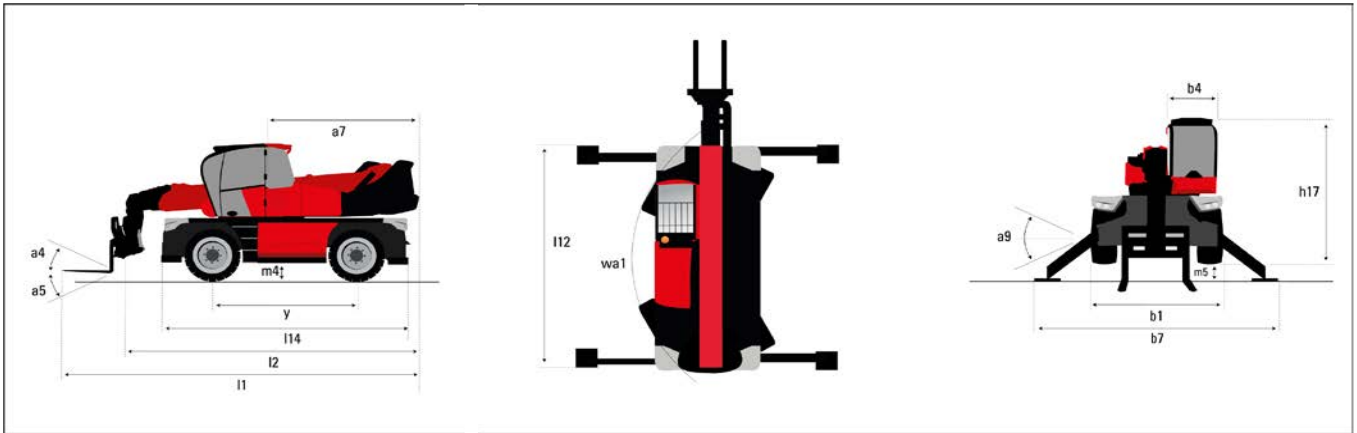


Figure 28: Measurements (side, front and top view)

Table 24. Tires (standard)

Description	MRT-X 2260	MRT-X 2660
Measurement	445/65 R22.5	445/65 R22.5
Driving wheels (front / rear)	2 / 2	2 / 2
Driving modes	2-wheel steer, 4-wheel concentric steer, 4-wheel "crab" steer	2-wheel steer, 4-wheel concentric steer, 4-wheel "crab" steer

Table 25. Stabilizers

Description	MRT-X 2260	MRT-X 2660
Type of stabilizers	Double telescopic	Double telescopic
Controls	Individual or simultaneous stabilizer controls	Individual or simultaneous stabilizer controls

Table 26. Engine

Description	Unit	MRT-X 2260	MRT-X 2660
Engine brand		Yanmar	Yanmar
Engine type (standard)	Stage / Tier	Stage 3A	Stage 3A
Engine model		4TN107HT-6SMU1	4TN107HT-6SMU1
Rated power (ISO / TR 14396)	HP / kW @ rpm	156 / 115 @ 2200	156 / 115 @ 2200
Maximum torque	Nm @ rpm	602 Nm @ 1500	602 Nm @ 1500
Number of cylinders - Displacement	- cm ³	4 - 4567	4 - 4567
Engine cooling system		Water cooled	Water cooled
Battery capacity / batteries		(24V) 2x12V - 120AH - 850 A (EN)	(24V) 2x12V - 120AH - 850 A (EN)

Table 27. Transmission

Description	Unit	MRT-X 2260	MRT-X 2660
Type of transmission		Hydrostatic	Hydrostatic
Number of gears (forward / reverse)		Speedshift (2/2)	Speedshift (2/2)
Maximum travel speed (unladen)	km / h	40	40
Drawbar pull (laden)	daN	-	-

Description	Unit	MRT-X 2260	MRT-X 2660
Parking brake		Automatic with negative action	Automatic with negative action
Service brake	Hydraulic	Multi-disc type in oil bath integrated in the front and rear axles	Multi-disc type in oil bath integrated in the front and rear axles

Table 28. Hydraulic circuit

Description	Unit	MRT-X 2260	MRT-X 2660
Type of hydraulic pump		LS pump	LS pump
Hydraulic flow	l / min	185 l / m	185 l / m
Hydraulic pressure	bar - PSI	350	5076.32

Table 29. Liquid capacity

Description	Unit	MRT-X 2260	MRT-X 2660
Motor oil	L - US gal	13	2.85
Hydraulic oil tank and transmission	L - US gal	260	57.2
Fuel tank	L - US gal	270	71.32

Table 30. Noise and vibrations

Description	Unit	MRT-X 2260	MRT-X 2660
Acoustic pressure in the driver's cabin LpA (according to NF EN 12053)	dB (A)	-	-
Guaranteed noise level in the environment LwA (according to Directive 2000/14 / EC modified by Directive 2005/88 / EC)	dB (A)	-	-
The weighted average acceleration transmitted to the boom system/ driver's hand (according to ISO 5349-2)	m / s ²	-	-

Table 31. Miscellaneous

Description	MRT-X 2260	MRT-X 2660
Driving wheels (front / rear)	2 / 2	2 / 2
Controls	2 Joysticks	2 Joysticks
Safety cabin approval	ROPS / FOPS (Level 2)	ROPS / FOPS (Level 2)
Attachment recognition system (E-Reco)	E-Reco	E-Reco

2.2.3 FEATURES MRT 2570 AND 3060



The specifications provided are not binding on the manufacturer and may be subject to change without prior notice.

Table 32. Capacity (on stabilizers)

Description	Unit	MRT 2570	MRT 3060
Maximum rated capacity with standard fork carriers and forks	kg - lb	7000	15400
Standard lifting height	m - ft	24.8	81.4
Forward reach with fork-carrier and standard forks	m - ft	20.5	67

2.

TECHNICAL DATA AND DESCRIPTION

Table 33. Weight and measurements

Description	Unit	Ref.	MRT 2570		MRT 3060	
Total length (with forks)	m - ft	l1	8.87	29.1	9.14	29.99
Length to the face of the forks	m - ft	l2	7.67	25.16	7.94	26.05
Chassis length	m - ft	l14	5.92	19.42	5.92	19.42
Length from center of rotation to ballast	m - ft	a7	3.45	11.32	3.45	11.32
Total length to the stabilizers	m - ft	l12	5.62	18.44	5.62	18.44
External turning radius (above the tires)	m - ft	Wa1	4.37	14.34	4.37	14.34
Total width with extended stabilizers	m - ft	b7	6.06	20.28	6.06	19.88
Ground clearance under the front tires on the stabilizers	m - ft	m5	0.45	1.48	0.45	1.48
Overall width	m - ft	b1	2.50	8.20	2.50	8.20
Overall height	m - ft	h17	3.10	10.17	3.10	10.17
Overall cabin width	m - ft	b4	0.96	3.15	0.96	3.15
Ground clearance	m - ft	m4	0.36	1.18	0.36	1.18
Wheelbase	m - ft	y	3.25	11.06	3.25	11.06
Tilt-up angle	°	a4	12		12	
Tilt-down angle	°	a5	112		112	
Chassis leveling correction +/-	°	a9	7		7	
Overall weight	kg - lb		21300	46958.41	21800	48061.12
Fork section (length / width / section)	mm - in		1200 x 125 x 60	47.24 x 4.92 x 2.36	1200 x 100 x 60	47.24 x 3.94 x 2.36

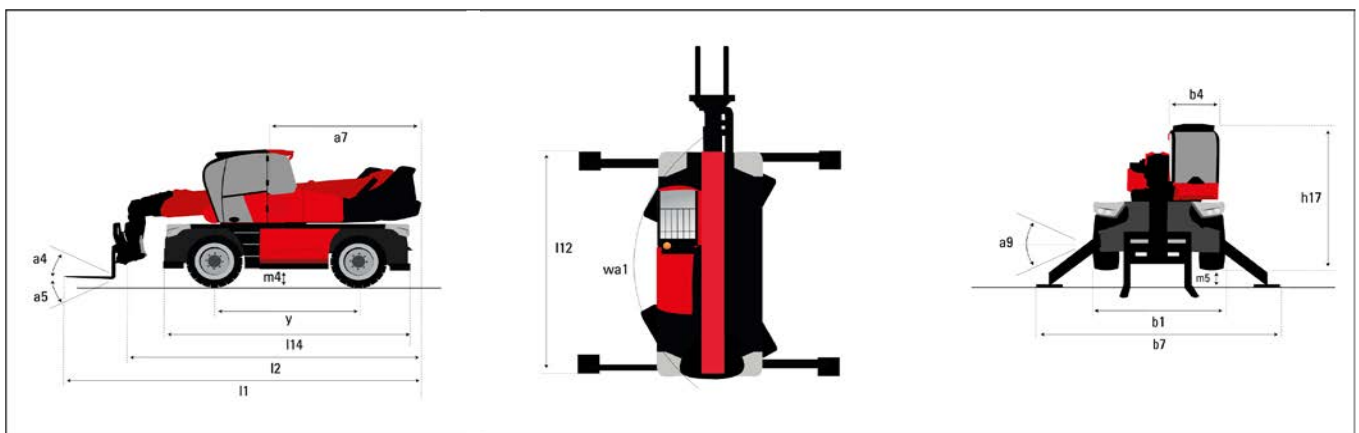


Figure 29: Measurements (side, front and top view)



Table 34. Tires (standard)

Description	MRT 2570	MRT 3060
Measurement	445/65 R22.5	445/65 R22.5
Driving wheels (front / rear)	2 / 2	2 / 2
Driving modes	2-wheel steer, 4-wheel concentric steer, 4-wheel "crab" steer	2-wheel steer, 4-wheel concentric steer, 4-wheel "crab" steer

Table 35. Stabilizers

Description	MRT 2570	MRT 3060
Type of stabilizers	Double telescopic	Double telescopic
Controls	Individual or simultaneous stabilizer controls	Individual or simultaneous stabilizer controls

Table 36. Engine

Description	Unit	MRT 2570	MRT 3060
Engine brand		Yanmar	Yanmar
Engine type (standard)	Stage / Tier	EU Stage V / US EPA Tier 4	EU Stage V / US EPA Tier 4
Engine model		4TN107FTT-6SMU1	4TN107FTT-6SMU1
Rated power (ISO / TR 14396)	HP / kW @ rpm	173/127 @ 2200	173/127 @ 2200
Maximum torque	Nm @ rpm	805 Nm @ 1500	805 Nm @ 1500
Number of cylinders - Displacement	- cm ³	4 - 4567	4 - 4567
Engine cooling system		Water cooled	Water cooled
Battery capacity / batteries		(24V) 2x12V - 120AH - 850 A (EN)	(24V) 2x12V - 120AH - 850 A (EN)

Table 37. Transmission

Description	Unit	MRT 2570	MRT 3060
Type of transmission		Hydrostatic	Hydrostatic
Number of gears (forward / reverse)		Speedshift (2/2)	Speedshift (2/2)
Maximum travel speed (unladen)	km / h	40	40
Drawbar pull (laden)	daN	-	-
Parking brake		Automatic with negative action	Automatic with negative action
Service brake	Hydraulic	Multi-disc type in oil bath integrated in the front and rear axles	Multi-disc type in oil bath integrated in the front and rear axles

Table 38. Hydraulic circuit

Description	Unit	MRT 2570		MRT 3060	
Type of hydraulic pump		LS pump		LS pump	
Hydraulic flow	l / min	185 l / m		185 l / m	
Hydraulic pressure	bar - PSI	350	5076.32	350	5076.32

2.

TECHNICAL DATA AND DESCRIPTION

Table 39. Liquid capacity

Description	Unit	MRT 2570		MRT 3060	
Motor oil	L - US gal	13	2.85	13	2.85
Hydraulic oil tank and transmission	L - US gal	300	66	300	66
Fuel tank	L - US gal	320	70.4	320	70.4
DEF (Diesel Emission Fluid) Tank	L - US gal	24		6.34	

Table 40. Noise and vibrations

Description	Unit	MRT 2570	MRT 3060
Acoustic pressure in the driver's cabin LpA (according to NF EN 12053)	dB (A)	-	-
Guaranteed noise level in the environment LwA (according to Directive 2000/14 / EC modified by Directive 2005/88 / EC)	dB (A)	-	-
The weighted average acceleration transmitted to the boom system/ driver's hand (according to ISO 5349-2)	m / s ²	-	-

Table 41. Miscellaneous

Description	MRT 2570	MRT 3060
Driving wheels (front / rear)	2 / 2	2 / 2
Controls	2 Joysticks	2 Joysticks
Safety cabin approval	ROPS / FOPS (Level 2)	ROPS / FOPS (Level 2)
Attachment recognition system (E-Reco)	E-Reco	E-Reco

2.2.4 FEATURES MRT-X 2570 AND 3060



The specifications provided are not binding on the manufacturer and may be subject to change without prior notice.

Table 42. Capacity (on stabilizers)

Description	Unit	MRT-X 2570		MRT-X 3060	
Maximum rated capacity with standard fork carriers and forks	kg - lb	7000	15400	6000	13200
Standard lifting height	m - ft	24.8	81.4	29.9	98
Forward reach with fork-carrier and standard forks	m - ft	20.5	67	25.7	84.3

Table 43. Weight and measurements

Description	Unit	Ref.	MRT-X 2570		MRT-X 3060	
Total length (with forks)	m - ft	l1	8.87	29.1	9.14	29.99
Length to the face of the forks	m - ft	l2	7.67	25.16	7.94	26.05
Chassis length	m - ft	l14	5.92	19.42	5.92	19.42
Length from center of rotation to ballast	m - ft	a7	3.45	11.32	3.45	11.32
Total length to the stabilizers	m - ft	l12	5.62	18.44	5.62	18.44

Description	Unit	Ref.	MRT-X 2570		MRT-X 3060	
External turning radius (above the tires)	m - ft	Wa1	4.37	14.34	4.37	14.34
Total width with extended stabilizers	m - ft	b7	6.06	20.28	6.06	19.88
Ground clearance under the front tires on the stabilizers	m - ft	m5	0.45	1.48	0.45	1.48
Overall width	m - ft	b1	2.50	8.20	2.50	8.20
Overall height	m - ft	h17	3.10	10.17	3.10	10.17
Overall cabin width	m - ft	b4	0.96	3.15	0.96	3.15
Ground clearance	m - ft	m4	0.36	1.18	0.36	1.18
Wheelbase	m - ft	y	3.25	11.06	3.25	11.06
Tilt-up angle	°	a4	12		12	
Tilt-down angle	°	a5	112		112	
Chassis leveling correction +/-	°	a9	7		7	
Overall weight	kg - lb		21300	46958.41	21800	48061.12
Fork section (length / width / section)	mm - in		1200 x 125 x 60	47.24 x 4.92 x 2.36	1200 x 100 x 60	47.24 x 3.94 x 2.36

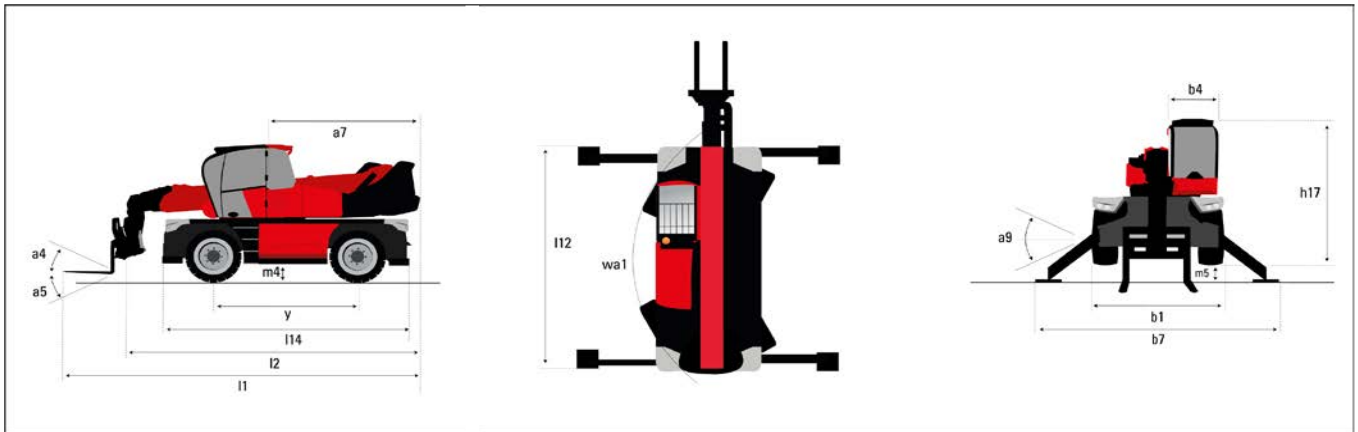


Figure 30: Measurements (side, front and top view)

Table 44. Tires (standard)

Description	MRT-X 2570	MRT-X 3060
Measurement	445/65 R22.5	445/65 R22.5
Driving wheels (front / rear)	2 / 2	2 / 2
Driving modes	2-wheel steer, 4-wheel concentric steer, 4-wheel "crab" steer	2-wheel steer, 4-wheel concentric steer, 4-wheel "crab" steer



2.

TECHNICAL DATA AND DESCRIPTION

Table 45. Stabilizers

Description	MRT-X2570	MRT-X 3060
Type of stabilizers	Double telescopic	Double telescopic
Controls	Individual or simultaneous stabilizer controls	Individual or simultaneous stabilizer controls

Table 46. Engine

Description	Unit	MRT-X 2570	MRT-X 3060
Engine brand		Yanmar	Yanmar
Engine type (standard)	Stage / Tier	Stage 3A	Stage 3A
Engine model		4TN107TT-6SMU1	4TN107TT-6SMU1
Rated power (ISO / TR 14396)	HP / kW @ rpm	173/127 @ 2200	173/127 @ 2200
Maximum torque	Nm @ rpm	805 Nm @ 1500	805 Nm @ 1500
Number of cylinders - Displacement	- cm ³	4 - 4567	4 - 4567
Engine cooling system		Water cooled	Water cooled
Battery capacity / batteries		(24V) 2x12V - 120AH - 850 A (EN)	(24V) 2x12V - 120AH - 850 A (EN)

Table 47. Transmission

Description	Unit	MRT-X 2570	MRT-X 3060
Type of transmission		Hydrostatic	Hydrostatic
Number of gears (forward / reverse)		Speedshift (2/2)	Speedshift (2/2)
Maximum travel speed (unladen)	km / h	40	40
Drawbar pull (laden)	daN	-	-
Parking brake		Automatic with negative action	Automatic with negative action
Service brake	Hydraulic	Multi-disc type in oil bath integrated in the front and rear axles	Multi-disc type in oil bath integrated in the front and rear axles

Table 48. Hydraulic circuit

Description	Unit	MRT-X 2570		MRT-X 3060	
Type of hydraulic pump		LS pump		LS pump	
Hydraulic flow	l / min	185 l / m		185 l / m	
Hydraulic pressure	bar - PSI	350	5076.32	350	5076.32

Table 49. Liquid capacity

Description	Unit	MRT-X 2570		MRT-X 3060	
Motor oil	L - US gal	13	2.85	13	2.85
Hydraulic oil tank and transmission	L - US gal	300	66	300	66
Fuel tank	L - US gal	320	70.4	320	70.4



Table 50. Noise and vibrations

Description	Unit	MRT-X 2570	MRT-X 3060
Acoustic pressure in the driver's cabin LpA (according to NF EN 12053)	dB (A)	-	-
Guaranteed noise level in the environment LwA (according to Directive 2000/14 / EC modified by Directive 2005/88 / EC)	dB (A)	-	-
The weighted average acceleration transmitted to the boom system/ driver's hand (according to ISO 5349-2)	m / s ²	-	-

Table 51. Miscellaneous

Description	MRT-X 2570	MRT-X 3060
Driving wheels (front / rear)	2 / 2	2 / 2
Controls	2 Joysticks	2 Joysticks
Safety cabin approval	ROPS / FOPS (Level 2)	ROPS / FOPS (Level 2)
Attachment recognition system (E-Reco)	E-Reco	E-Reco

2.2.5 FEATURES MRT 3570 AND 3570 ES



The specifications provided are not binding on the manufacturer and may be subject to change without prior notice.

Table 52. Capacity (on stabilizers)

Description	Unit	MRT 3570		MRT 3570 ES	
Maximum rated capacity with standard fork carriers and forks	kg - lb	7000	15400	7000	15400
Standard lifting height	m - ft	34.7	113.85	34.7	113.85
Forward reach with fork-carrier and standard forks	m - ft	28.0	91.86	28.0	91.86

Table 53. Weight and measurements

Description	Unit	Ref.	MRT 3570		MRT 3570 ES	
Total length (with forks)	m - ft	l1	10.06	33.01	10.06	33.01
Length to the face of the forks	m - ft	l2	8.86	29.07	8.86	29.07
Chassis length	m - ft	l14	6.82	22.38	6.82	22.38
Length from center of rotation to ballast	m - ft	a7	3.74	12.27	3.74	12.27
Total length to the stabilizers	m - ft	l12	6.49	21.29	6.49	21.29
External turning radius (above the tires)	m - ft	Wa1	4.91	16.11	4.91	16.11
Total width with extended stabilizers	m - ft	b7	7.4	24.28	7.4	24.28
Ground clearance under the front tires on the stabilizers	m - ft	m5	0.45	1.48	0.45	1.48
Overall width	m - ft	b1	2.5	8.20	2.5	8.20
Overall height	m - ft	h17	3.26	11.10	3.26	11.10

2.

TECHNICAL DATA AND DESCRIPTION

Description	Unit	Ref.	MRT 3570		MRT 3570 ES	
Overall cabin width	m - ft	b4	0.96	3.15	0.96	3.15
Ground clearance	m - ft	m4	0.36	1.18	0.36	1.18
Wheelbase	m - ft	Y	3.75	12.30	3.75	12.30
Tilt-up angle	°	a4	11		11	
Tilt-down angle	°	a5	113		113	
Chassis leveling correction +/-	°	a9	8		8	
Leveling of the longitudinal chassis +/-	°		3		3	
Overall weight	kg - lb		23800	52470.36	24000	52911.28
Fork section (length / width / section)	mm - in		1200 x 125 x 60	47.24 x 4.92 x 2.36	1200 x 125 x 60	47.24 x 4.92 x 2.36

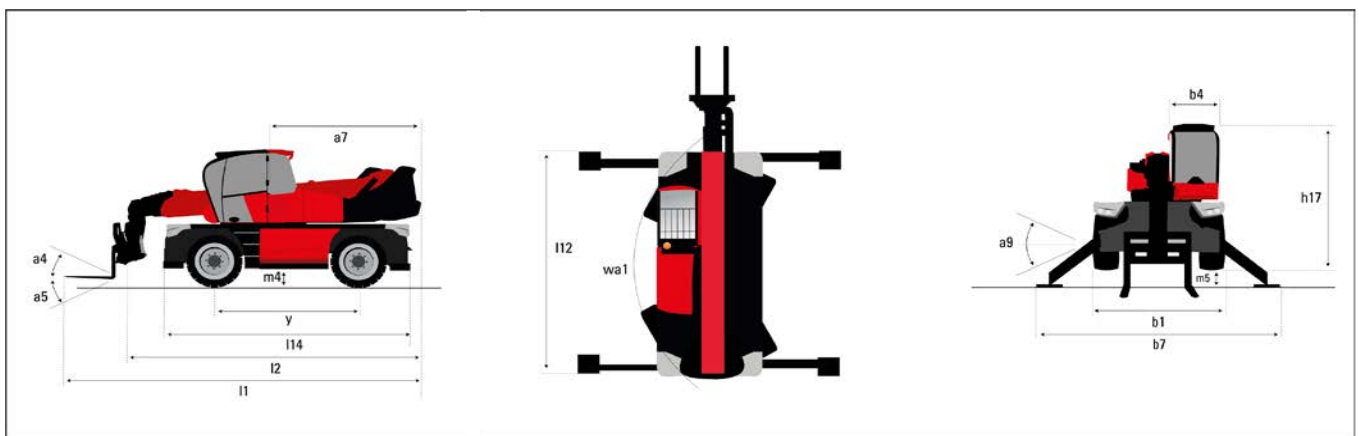


Figure 31: Measurements (side, front and top view)

Table 54. Tires (standard)

Description	MRT 3570	MRT 3570 ES
Measurement	17.5 R25	17.5 R25
Driving wheels (front / rear)	2 / 2	2 / 2
Driving modes	2-wheel steer, 4-wheel concentric steer, 4-wheel "crab" steer	2-wheel steer, 4-wheel concentric steer, 4-wheel "crab" steer

Table 55. Stabilizers

Description	MRT 3570	MRT 3570 ES
Type of stabilizers	Triple telescopic	Triple telescopic
Controls	Individual or simultaneous stabilizer controls	Individual or simultaneous stabilizer controls

Table 56. Engine

Description	Unit	MRT 3570	MRT 3570 ES
Engine brand		Yanmar	Yanmar
Engine type (standard)	Stage / Tier	EU Stage V / US EPA Tier 4	EU Stage V / US EPA Tier 4
Engine model		4TN107FTT-6SMU2	4TN107FTT-6SMU2

Description	Unit	MRT 3570	MRT 3570 ES
Rated power (ISO / TR 14396)	HP / kW @ rpm	211/155 @ 2200	211/155 @ 2200
Maximum torque	Nm @ rpm	805 Nm @ 1500	805 Nm @ 1500
Number of cylinders - Displacement	- cm ³	4 - 4567	4 - 4567
Engine cooling system		Water cooled	Water cooled
Battery capacity / batteries		(24V) 2x12V - 120AH - 850 A (EN)	(24V) 2x12V - 120AH - 850 A (EN)

Table 57. Transmission

Description	Unit	MRT 3570	MRT 3570 ES
Type of transmission		Hydrostatic	Hydrostatic
Number of gears (forward / reverse)		CVT	CVT
Maximum travel speed (unladen)	km / h	40	40
Drawbar pull (laden)	daN	-	-
Parking brake		Automatic with negative action	Automatic with negative action
Service brake	Hydraulic	Multi-disc type in oil bath integrated in the front and rear axles	Multi-disc type in oil bath integrated in the front and rear axles

Table 58. Hydraulic circuit

Description	Unit	MRT 3570		MRT 3570 ES	
Type of hydraulic pump		LS pump		LS pump	
Hydraulic flow	l / min	185 l / m		185 l / m	
Hydraulic pressure	bar - PSI	350	5076.32	350	5076.32

Table 59. Liquid capacity

Description	Unit	MRT 3570		MRT 3570 ES	
Motor oil	L - US gal	13	2.85	13	2.85
Hydraulic oil tank and transmission	L - US gal	300	66	300	66
Fuel tank	L - US gal	320	70.4	320	70.4
Hydraulic pressure	bar - PSI	350	5076.32	350	5076.32
DEF (Diesel Emission Fluid) Tank	L - US gal	24	6.34	24	6.34

Table 60. Noise and vibrations

Description	Unit	MRT 3570	MRT 3570 ES
Acoustic pressure in the driver's cabin LpA (according to NF EN 12053)	dB (A)	-	-
Guaranteed noise level in the environment LwA (according to Directive 2000/14 / EC modified by Directive 2005/88 / EC)	dB (A)	-	-
The weighted average acceleration transmitted to the boom system/ driver's hand (according to ISO 5349-2)	m / s ²	-	-

Table 61. Miscellaneous

Description	MRT 3570	MRT 3570 ES
Driving wheels (front / rear)	2 / 2	2 / 2
Controls	2 Joysticks	2 Joysticks



2.

TECHNICAL DATA AND DESCRIPTION

Description	MRT 3570	MRT 3570 ES
Safety cabin approval	ROPS / FOPS (Level 2)	ROPS / FOPS (Level 2)
Attachment recognition system (E-Reco)	E-Reco	E-Reco

2.2.6 FEATURES MRT-X 3570 AND 3570 ES



The specifications provided are not binding on the manufacturer and may be subject to change without prior notice.

Table 62. Capacity (on stabilizers)

Description	Unit	MRT-X 3570		MRT-X 3570 ES	
Maximum rated capacity with standard fork carriers and forks	kg - lb	7000	15400	7000	15400
Standard lifting height	m - ft	34.7	113.85	34.7	113.85
Forward reach with fork-carrier and standard forks	m - ft	28.0	91.86	28.0	91.86

Table 63. Weight and measurements

Description	Unit	Ref.	MRT-X 3570		MRT-X 3570 ES	
Total length (with forks)	m - ft	l1	10.06	33.01	10.06	33.01
Length to the face of the forks	m - ft	l2	8.86	29.07	8.86	29.07
Chassis length	m - ft	l14	6.82	22.38	6.82	22.38
Length from center of rotation to ballast	m - ft	a7	3.74	12.27	3.74	12.27
Total length to the stabilizers	m - ft	l12	6.49	21.29	6.49	21.29
External turning radius (above the tires)	m - ft	Wa1	4.91	16.11	4.91	16.11
Total width with extended stabilizers	m - ft	b7	7.4	24.28	7.4	24.28
Ground clearance under the front tires on the stabilizers	m - ft	m5	0.45	1.48	0.45	1.48
Overall width	m - ft	b1	2.5	8.20	2.5	8.20
Overall height	m - ft	h17	3.26	11.10	3.26	11.10
Overall cabin width	m - ft	b4	0.96	3.15	0.96	3.15
Ground clearance	m - ft	m4	0.36	1.18	0.36	1.18
Wheelbase	m - ft	y	3.75	12.30	3.75	12.30
Tilt-up angle	°	a4	11		11	
Tilt-down angle	°	a5	113		113	
Chassis leveling correction +/-	°	a9	8		8	
Leveling of the longitudinal chassis +/-	°		3		3	
Overall weight	kg - lb		23800	52470.36	24000	52911.28
Fork section (length / width / section)	mm - in		1200 x 125 x 60	47.24 x 4.92 x 2.36	1200 x 125 x 60	47.24 x 4.92 x 2.36

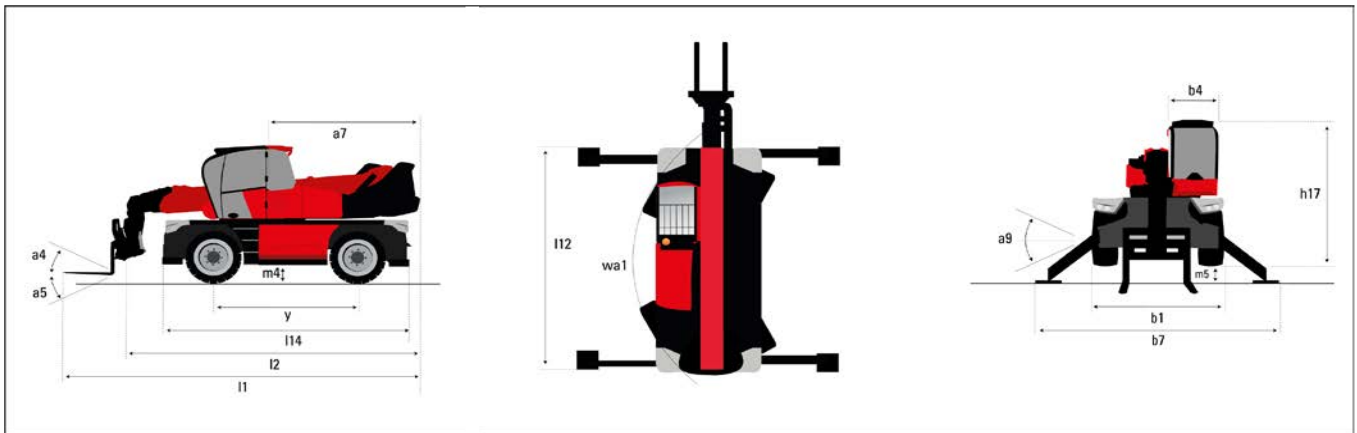


Figure 32: Measurements (side, front and top view)

Table 64. Tires (standard)

Description	MRT-X 3570	MRT-X 3570 ES
Measurement	17.5 R25	17.5 R25
Driving wheels (front / rear)	2 / 2	2 / 2
Driving modes	2-wheel steer, 4-wheel concentric steer, 4-wheel "crab" steer	2-wheel steer, 4-wheel concentric steer, 4-wheel "crab" steer

Table 65. Stabilizers

Description	MRT-X 3570	MRT-X 3570 ES
Type of stabilizers	Triple telescopic	Triple telescopic
Controls	Individual or simultaneous stabilizer controls	Individual or simultaneous stabilizer controls

Table 66. Engine

Description	Unit	MRT-X 3570	MRT-X 3570 ES
Engine brand		Yanmar	Yanmar
Engine type (standard)	Stage / Tier	Stage 3A	Stage 3A
Engine model		4TN107TT-6SMU2	4TN107TT-6SMU2
Rated power (ISO / TR 14396)	HP / kW @ rpm	211/155 @ 2200	211/155 @ 2200
Maximum torque	Nm @ rpm	805 Nm @ 1500	805 Nm @ 1500
Number of cylinders - Displacement	- cm ³	4 - 4567	4 - 4567
Engine cooling system		Water cooled	Water cooled
Battery capacity / batteries		(24V) 2x12V - 120AH - 850 A (EN)	(24V) 2x12V - 120AH - 850 A (EN)

Table 67. Transmission

Description	Unit	MRT-X 3570	MRT-X 3570 ES
Type of transmission		Hydrostatic	Hydrostatic
Number of gears (forward / reverse)		CVT	CVT
Maximum travel speed (unladen)	km / h	40	40
Drawbar pull (laden)	daN	-	-



2.

TECHNICAL DATA AND DESCRIPTION

Description	Unit	MRT-X 3570	MRT-X 3570 ES
Parking brake		Automatic with negative action	Automatic with negative action
Service brake	Hydraulic	Multi-disc type in oil bath integrated in the front and rear axles	Multi-disc type in oil bath integrated in the front and rear axles

Table 68. Hydraulic circuit

Description	Unit	MRT-X 3570	MRT-X 3570 ES
Type of hydraulic pump		LS pump	LS pump
Hydraulic flow	l / min	185 l / m	185 l / m
Hydraulic pressure	bar - PSI	350	5076.32

Table 69. Liquid capacity

Description	Unit	MRT-X 3570	MRT-X 3570 ES
Motor oil	L - US gal	13	2.85
Hydraulic oil tank and transmission	L - US gal	300	66
Fuel tank	L - US gal	320	70.4

Table 70. Noise and vibrations

Description	Unit	MRT-X 3570	MRT-X 3570 ES
Acoustic pressure in the driver's cabin LpA (according to NF EN 12053)	dB (A)	-	-
Guaranteed noise level in the environment LwA (according to Directive 2000/14 / EC modified by Directive 2005/88 / EC)	dB (A)	-	-
The weighted average acceleration transmitted to the boom system/ driver's hand (according to ISO 5349-2)	m / s ²	-	-

Table 71. Miscellaneous

Description	MRT-X 3570	MRT-X 3570 ES
Driving wheels (front / rear)	2 / 2	2 / 2
Controls	2 Joysticks	2 Joysticks
Safety cabin approval	ROPS / FOPS (Level 2)	ROPS / FOPS (Level 2)
Attachment recognition system (E-Reco)	E-Reco	E-Reco

2.2.7 CAPACITY AND LOAD CHARTS

The following pages show the load charts of each machine model with the standard attachment CAF 1030 (fork carrier).

**MRT 2260 360 160Y ST5 S1 / MRT-X 2260
360 160Y ST3A S1 + CAF 1030/6T F
100x60x1200B**

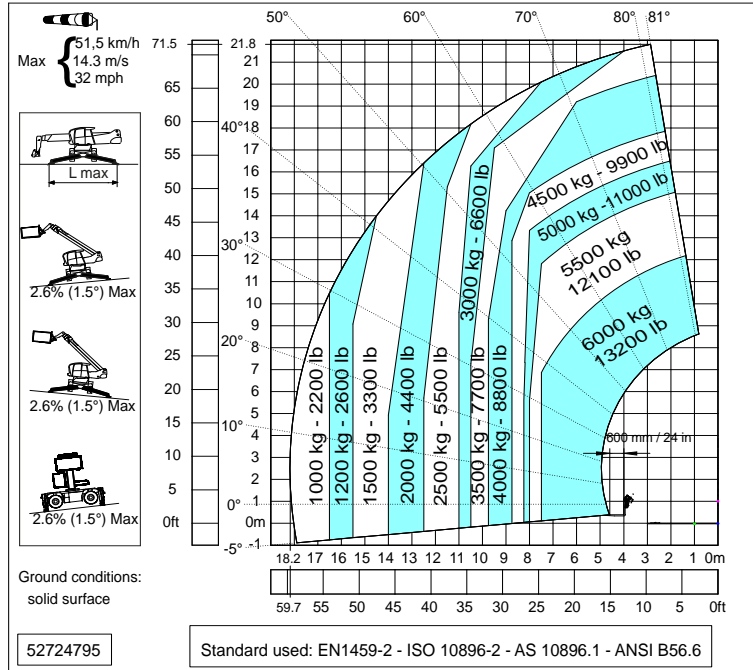


Figure 33:

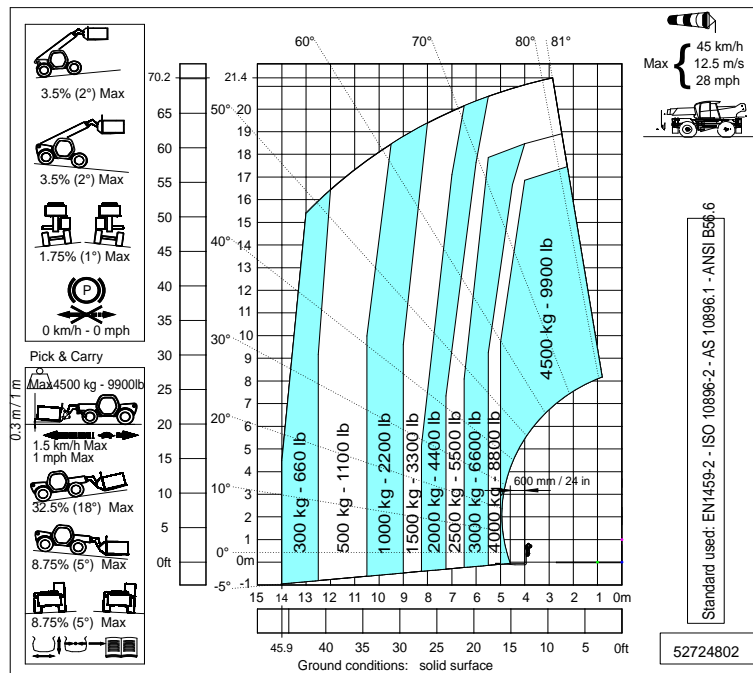


Figure 34:

2.

TECHNICAL DATA AND DESCRIPTION

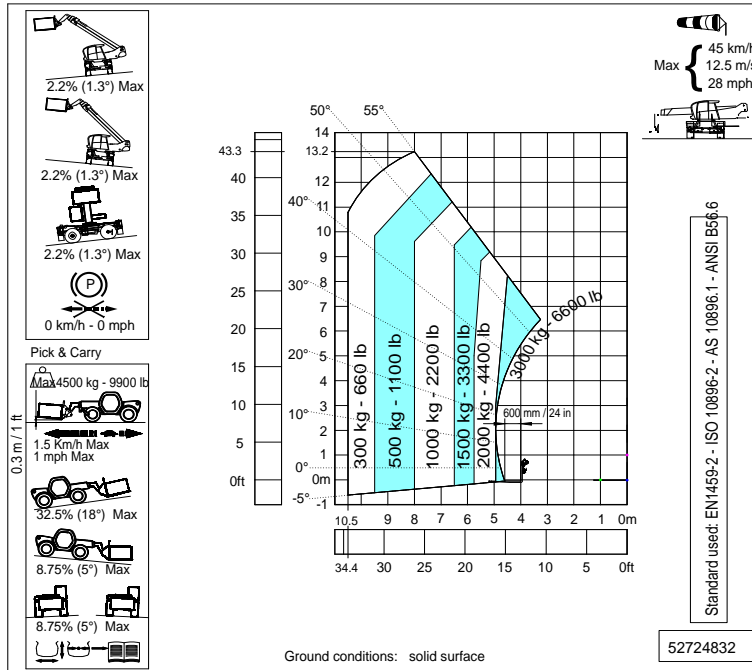


Figure 35:

**MRT 2660 360 160Y ST5 S1 / MRT-X 2660
360 160Y ST3A S1 + CAF 1030/6T F
100x60x1200B**

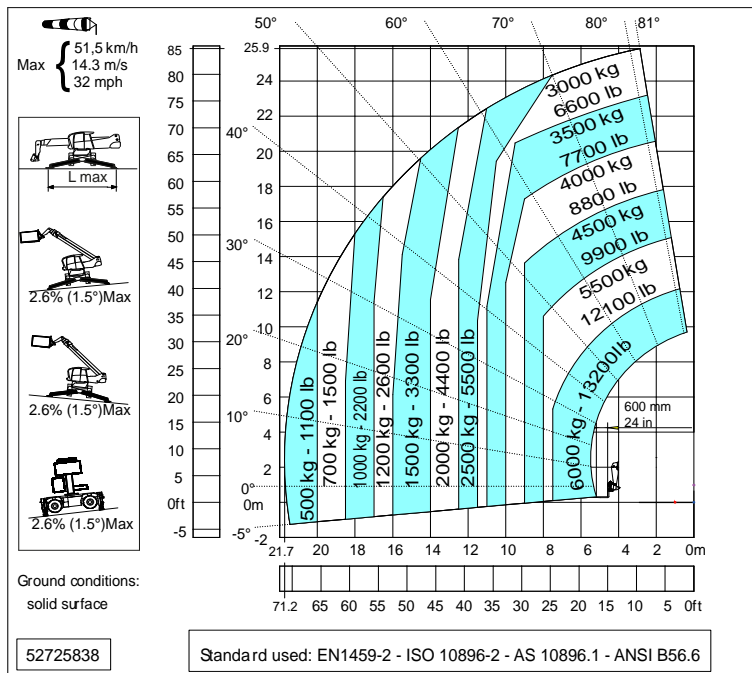


Figure 36:



TECHNICAL DATA AND DESCRIPTION

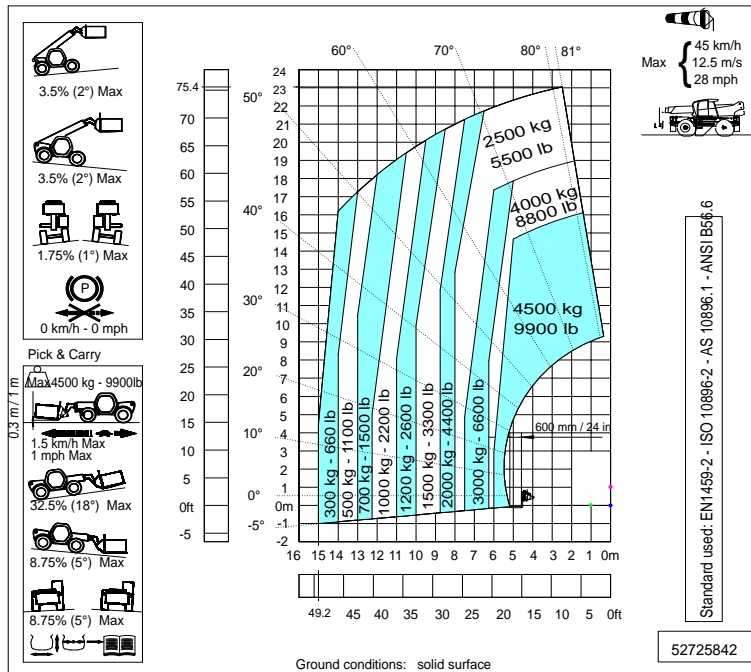


Figure 37:

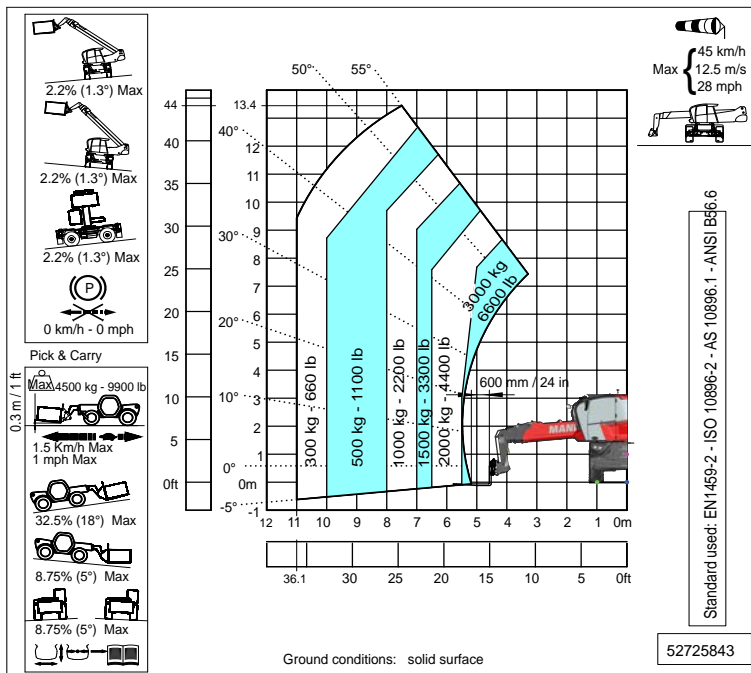


Figure 38:

2.

TECHNICAL DATA AND DESCRIPTION

**MRT 2570 360 175Y ST5 S1 / MRT-X 2570
360 175Y ST3A S1 + CAF 1030/7T F
125x60x1200B**

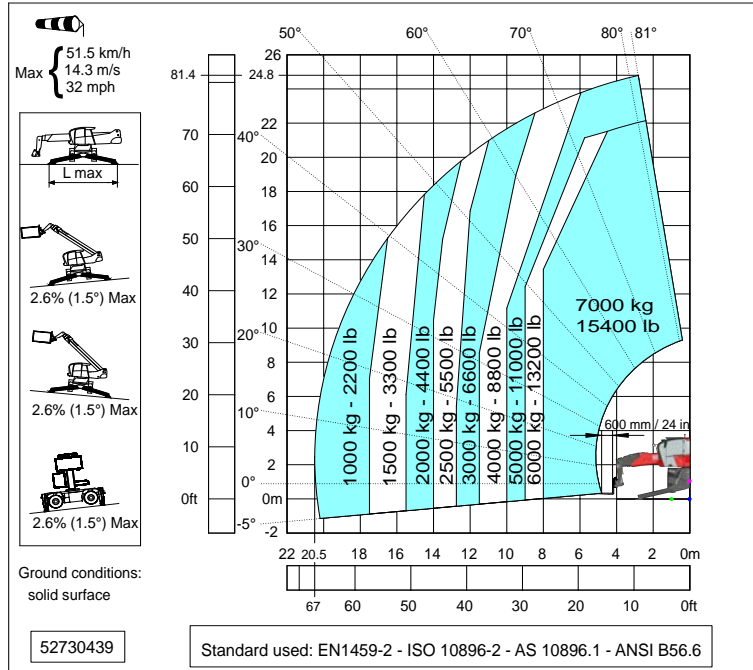


Figure 39:

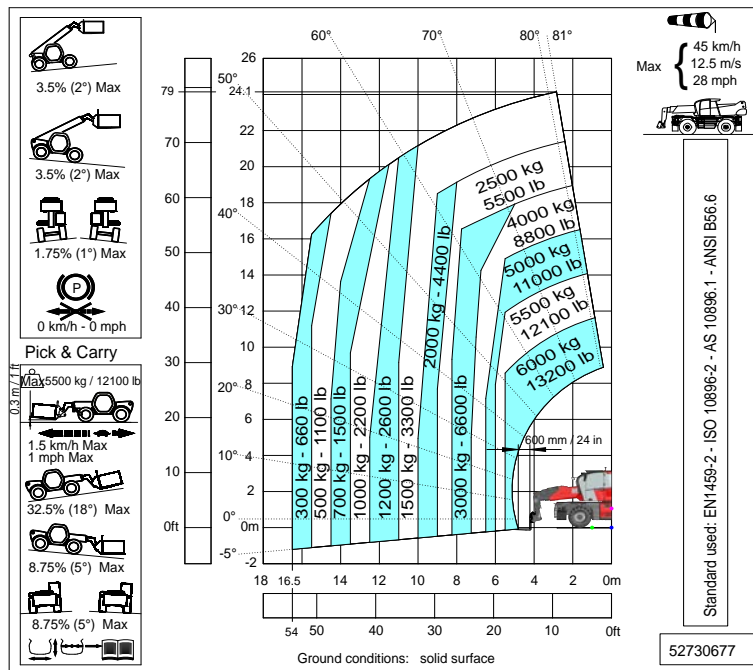


Figure 40:

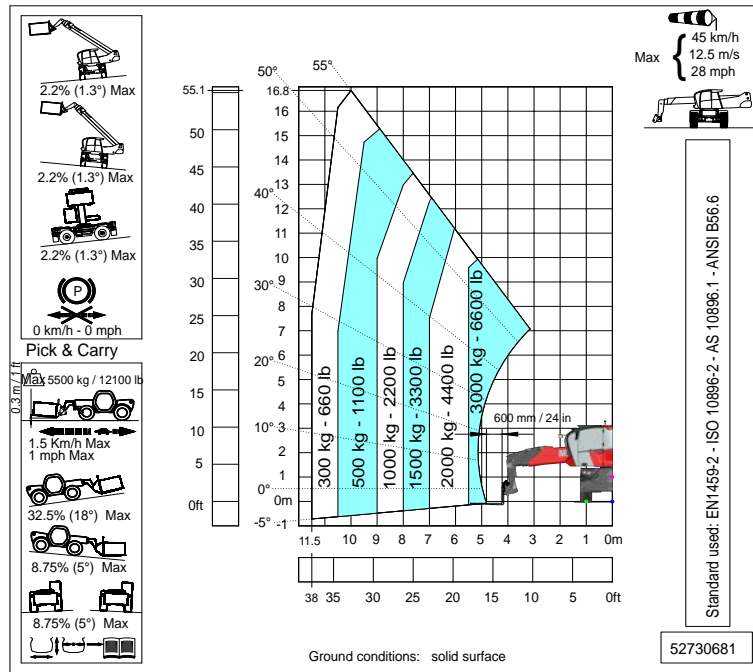


Figure 41:

MRT 3060 360 175Y ST5 S1 / MRT-X 3060
360 175Y ST3A S1 + CAF 1030/6T F
100x60x1200B

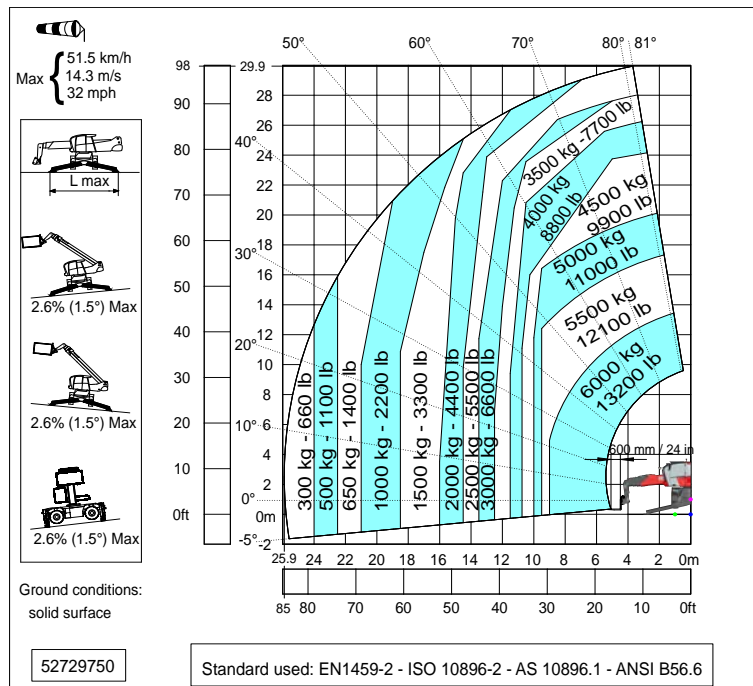


Figure 42:



2.

TECHNICAL DATA AND DESCRIPTION

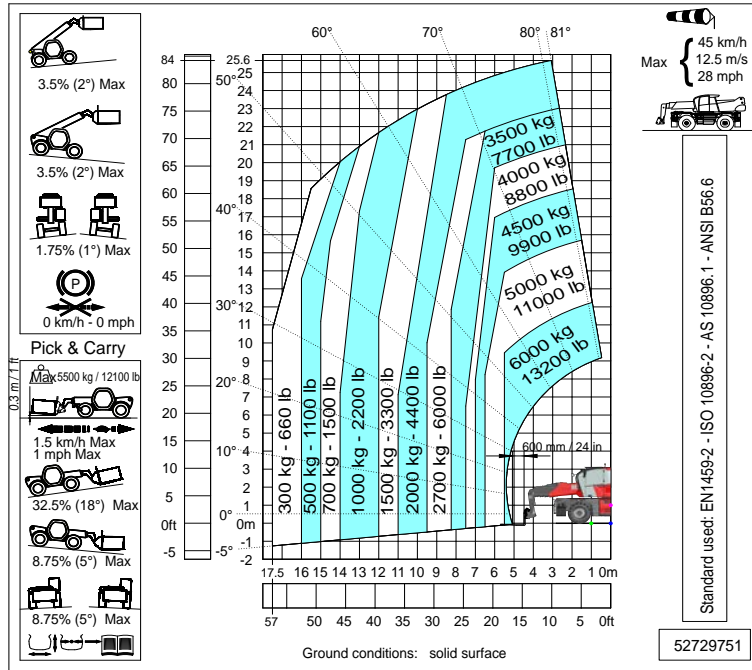


Figure 43:

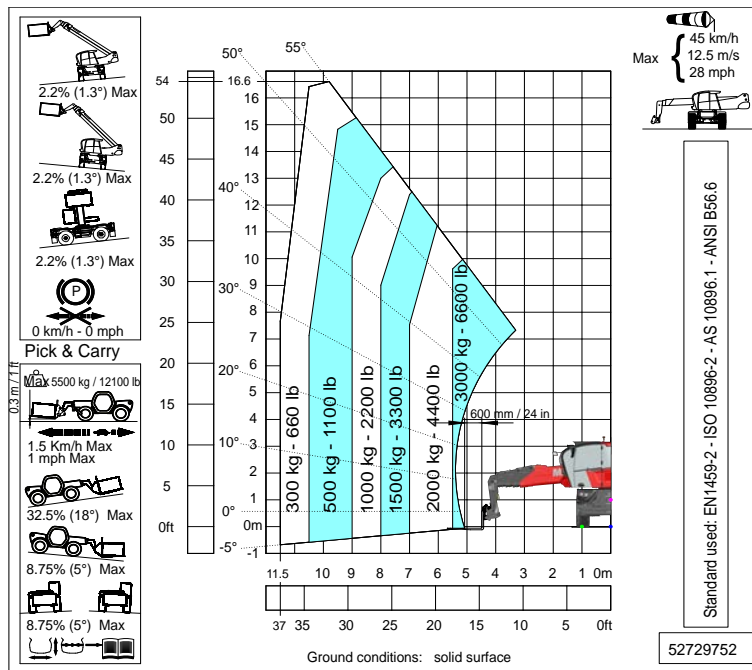


Figure 44:

**MRT 3570 360 210Y ST5 S1 / MRT-X 3570
360 210Y ST3A S1 + CAF 1030/7T F
125x60x1200B**

**MRT 3570 ES 360 210Y ST5 S1 / MRT-X
3570 ES 360 210Y ST3A S1 + CAF 1030/7T
F 125x60x1200B**

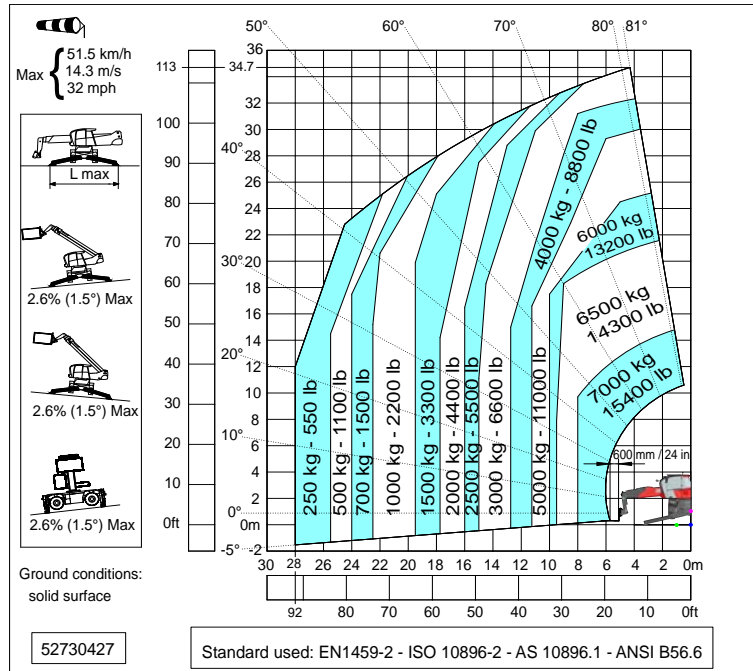


Figure 45:

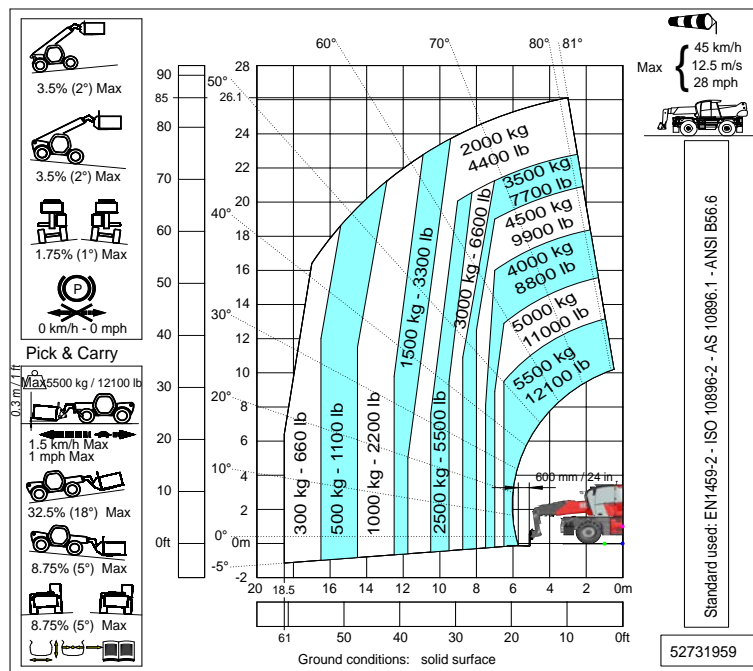


Figure 46:

2.

TECHNICAL DATA AND DESCRIPTION

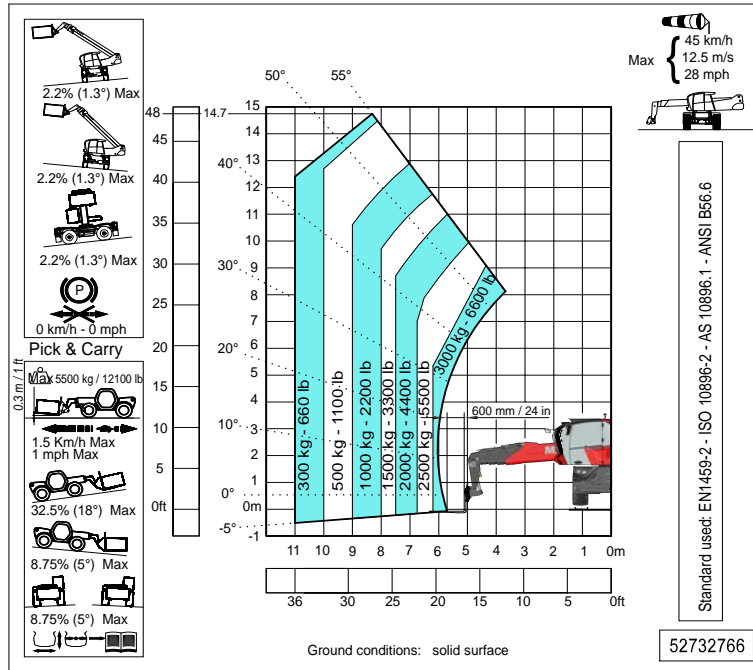


Figure 47:

2.2.8 "CE" DECLARATION OF CONFORMITY

**1) DECLARATION "CE" DE CONFORMITE (originale)
"EC" DECLARATION OF CONFORMITY (original)**

2) La société, *The company* : MANITOU ITALIA S.r.l.
3) Adresse, *Address* : Via Cristoforo Colombo 2, 41013 Cavazzona in Castelfranco Emilia - ITALIA
4) Dossier technique, *Technical file* : MANITOU ITALIA S.r.l. Via Cristoforo Colombo 2, 41013 Cavazzona in Castelfranco Emilia - ITALIA

5) Constructeur de la machine décrite ci-après, *Manufacturer of the machine described below* :
CHARIOT TELESCOPIQUE ROTATIF, *Slewing variable-reach truck*
MRT 2660 360 160Y ST5 S1
N°>MAN00000K01057441<

6) Déclare que cette machine, *Declares that this machine* :

7)- Est conforme aux directives suivantes et à leurs transpositions en droit national, *Complies with the following directives and their transpositions into national law* :

2006/42/CE

8) - Pour les machines annexe IV , *For annex IV machines* :
9) - Numéro d'attestation, *Certificate number* :
10) - Organisme notifié, *Notified body* :

2000/14/CE + 2005/88/CE

11) - Procédure appliquée, *Applied procedure* : Annexe VI – 2000 / 14 / CE proc.I
10) - Organisme notifié, *Notified body* : ECO Certificazioni S.p.A., Via Mengolina, 33 48018 Faenza (RA) ITALIA - Notified Body n. 0714
12) - Niveau de puissance acoustique, *Sound power level* :
13) Mesuré, *Measured* : 107 dB (A)
14) Garanti, *Guaranteed* : 108 dB (A)

2014/30/UE

15)-Normes harmonisées utilisées, *Harmonised standards used* : EN ISO 13766-1:2018 , EN 1459-2:2015+A1:2018

16)-Normes ou dispositions techniques utilisées, *Standards or technical provisions used* : /

17) - Fait à, *Done at* : CASTELFRANCO EMILIA 18) - Date, *Date* : 22/07/2021

19) - Nom du signataire, *Name of signatory* : IOTTI MARCO

20) - Fonction, *Function* : DIRECTEUR GENERAL

21) - Signature, *Signature* :

MANITOU ITALIA Srl
A Socio Unico - Sede Legale e Amm.va - Via C. Colombo, 2
Località Cavazzona, 41013 CASTELFRANCO E. (MO)
Tel. 059 959811 / Fax 059 / 959850
Cap. Soc. € 2000,000 I.V.
Reg. Impr. D.M. Modena e C.F. (C) 173970369
P.IVA IT 02591050360 - N. Mecc. MO 033322 R.E.A. 148776



bg : 1) удостоверение за «CE» съответствие (оригинална), 2) Фирмата, 3) Адрес, 4) Техническо досие, 5) Фабрикант на описаната по-долу машина, 6) Обявява, че тази машина, 7) Отговаря на следните директиви и на тяхното съответствие национално право, 8) За машините към допълнение IV, 9) Номер на удостоверението, 10) Наименувана фирма, 15) хармонизирани стандарти използвани, 16) стандарти или технически правила, използвани, 17) Изработено в, 18) Дата, 19) Име на разписалия се, 20) Функция, 21) Функция.

cs : 1) ES prohlášení o shodě (původní), 2) Název společnosti, 3) Adresa, 4) Technická dokumentace, 5) Výrobce níže uvedeného stroje, 6) Prohlašuje, že tento stroj, 7) Je v souladu s následujícími směrnici a směrnici transponovanými do vnitrostátního práva, 8) Pro stroje v příloze IV, 9) Číslo certifikátu, 10) Notifikační orgán, 15) harmonizované normy použity, 16) Norem a technických pravidel používaných, 17) Místo vydání, 18) Datum vydání, 19) Jméno podepsaného, 20) Funkce, 21) Podpis.

da : 1) EF Overensstemmelseerklæring (original), 2) Firmaet, 3) Adresse, 4) tekniske dossier, 5) Konstruktor af nedenfor beskrevne maskine, 6) Erklærer, at denne maskine, 7) Overholder nedennævnte direktiver og disses gennemførelse til national ret, 8) For maskiner under bilag IV, 9) Certifikat nummer, 10) Bemyndigede organ, 15) harmoniserede standarder, der anvendes, 16) standarder eller tekniske regler, 17) Udfærdiget i, 18) Dato, 19) Underskrivers navn, 20) Funktion, 21) Underskrift.

de : 1) EG-Konformitätserklärung (original), 2) Die Firma, 3) Adresse, 4) Technischen Unterlagen, 5) Hersteller der nachfolgend beschriebenen Maschine, 6) Erklärt, dass diese Maschine, 7) den folgenden Richtlinien und deren Umsetzung in die nationale Gesetzgebung entspricht, 8) Für die Maschinen laut Anhang IV, 9) Bescheinigungsnummer, 10) Benannte Stelle, 15) angewandten harmonisierten Normen, 16) angewandten sonstigen technischen Normen und Spezifikationen, 17) Ausgestellt in, 18) Datum, 19) Name des Unterzeichners, 20) Funktion, 21) Unterschrift.

el : 1) Δήλωση συμμόρφωσης CE (πρωτότυπο), 2) Η εταιρεία, 3) Διεύθυνση, 4) τεχνικό φάκελο, 5) Κατασκευάστρια του εξής περιγραφόμενου μηχανήματος, 6) Δηλώνει ότι αυτό το μηχάνημα, 7) Είναι σύμφωνο με τις εξής οδηγίες και τις προσαρμογές τους στο εθνικό δίκαιο, 8) Για τα μηχανήματα παραρτήματος IV, 9) Αριθμός δήλωσης, 10) Κοινοποιημένος φορέας, 15) εναρμονισμένα πρότυπα που χρησιμοποιούνται, 16) Πρότυπα ή τεχνικούς κανόνες που χρησιμοποιούνται, 17) Είναι σύμφωνο με τα εξής πρότυπα και τεχνικές διατάξεις, 17) Έν, 18) Ημερομηνία, 19) Όνομα του υπογράφοντος, 20) Θέση, 21) Υπογραφή.

es : 1) Declaración DE de conformidad (original), 2) La sociedad, 3) Dirección, 4) expediente técnico, 5) Constructor de la máquina descrita a continuación, 6) Declara que esta máquina, 7) Está conforme a las siguientes directivas y a sus transposiciones en derecho nacional, 8) Para las máquinas anexo IV, 9) Número de certificación, 10) Organismo notificado, 15) normas armonizadas utilizadas, 16) Otras normas o especificaciones técnicas utilizadas, 17) Hecho en, 18) Fecha, 19) Nombre del signatario, 20) Función, 21) Firma.

et : 1) EÜ vastavusdeklaratsioon (algupärane), 2) Äriühing, 3) Aadress, 4) Tehniline dokumentatsioon, 5) Seadme tootja, 6) Kinnitab, et see toode, 7) On vastavuses järgmistele direktiivide ja nende riigisisesele õigussesse ülevõtmiseks vastuvõetud õigusaktidega, 8) IV lisas loetletud seadmete puhul, 9) Tunnistuse number, 10) Sertifitseerimisasutus, 15) kasutatud ühtlustatud standarditele, 16) Muud standardites või spetsifikatsioonides kasutatakse, 17) Valjaandmise koht, 18) Valjaandmise aeg, 19) Allkirjastaja nimi, 20) Amet, 21) Allkiri.

fi : 1) EY-vaatimustenmukaisuusvakuutus (alkuperäiset), 2) Yritys, 3) Osoite, 4) teknisen eritelmän, 5) Jäljessä kuvattua konea valmistaja, 6) Vakuuttaa, että tämä kone, 7) Täyttää seuraavien direktiivien sekä niitä vastaavien kansallisten säännösten vaatimukset, 8) Liitteen IV mukaisesti osittain, 9) Todistuksen numero, 10) Ilmoitettu laitos, 15) yhdenmukaistettuja standardeja käytetään, 16) muita standardeja tai, 17) Paikka, 18) Aika, 19) Allekirjoittajan nimi, 20) Ammi, 21) Allekirjoitus.

ga : 1) «CE» dearbhúnú comhréireachta (bunaidh), 2) An comhlacht, 3) Seoladh, 4) comhad teicniúil, 5) Stiúideoir nó innealtóir a shuíleáirí, 6) Dearbháilúnú sé go bhfuil an t-inneall, 7) Go gclóirín sé le na teoracha seo a leanas agus a trasúlmh isteach i ndlí náisiúnta, 8) Le haghaidh na n-ábhar seo, 9) Ní h-áirítear na n-ábhar seo, 10) Comhlacht a chuireadh i bhfiús, 15) caighdeán comhchuibhithe a úsáidtear, 16) caighdeán eile nó sonraíocht teicniúla a úsáidtear, 17) Dáta, 18) Ainm, 19) Ainm an tsíneora, 20) Feidhm, 21) Síniú.

hu : 1) CE megfelelősegi nyilatkozat (eredeti), 2) A vállalat, 3) Cím, 4) műszaki dokumentáció, 5) A gép gyártója, 6) Kijelenti, hogy a gép, 7) Megfelel az alábbi irányelveknek valamint azok honosított előírásainak, 8) A IV. mellékletben felsorolt, 9) A gép az IV. mellékletben meghatározott, 10) Értécsített szervezet, 15) Felhasznált harmonizált szabványok, 16) egyéb felhasznált műszaki szabványok és előírások hivatkozásai, 17) Helyszín, 18) Dátum, 19) Aláírás, 20) Funkció, 21) Aláírás.

is : 1) Samræmisvottorð ESB (upprunalega), 2) Fyrirtækið, 3) Aðsetning, 4) Tegund teknískra, 5) Smíður tækisins sem lýst er hér á eftir, 6) Staðfestir að tækið, 7) Samræmist eftirfarandi stöðlum og staðferlu þeirra með hlífðingunni, 8) Fyrir málinn í viðauki IV, 9) Staðfestingarnúmer, 10) Tilkynt til, 15) samþætta staða, 16) Önnur staðlar eða forskriftir notað, 17) Staður, 18) Dátum, 19) Nafn undirritaðs, 20) Staða, 21) Undirskrift.

it : 1) Dichiarazione CE di conformità (originale), 2) Società, 3) Indirizzo, 4) fascicolo tecnico, 5) Costruttore della macchina descritta di seguito, 6) Dichiaro che questa macchina, 7) È conforme alle direttive seguenti e alle relative disposizioni del diritto nazionale, 8) Per le macchine Allegato IV, 9) Numero di Attestazione, 10) Organismo notificato, 15) norme armonizzate applicate, 16) altre norme e specifiche tecniche applicate, 17) Data, 18) Data, 19) Nome del firmatario, 20) Funzione, 21) Firma.

lt : 1) CE atitikties deklaracija (originalus), 2) Adresas, 3) Adresas, 4) Techninė byla, 5) Žemiau nurodytas įrenginio gamintojas, 6) Pareiškia, kad šis įrenginys, 7) Atitinka toliau nurodytas direktyvas ir į nacionalius teisės aktus, 8) IV priedas del mašinų, 9) Pasirūpinanti organizacija, 15) suderintus standartus naudojamasi, 16) Kiti standartai ir techninės specifikacijos, 17) Pasirašyta, 18) Data, 19) Pasirašiusio asmens vardas ir pavardė, 20) Pareigos, 21) Parašas.

lv : 1) EK atbilstības deklarācija (originala), 2) Uzņēmums, 3) Adrese, 4) tehniskās lietas, 5) Tālāk aprakstītās iekārtas ražotājs, 6) Apliecinā, ka šī iekārta, 7) Ir atbilstoša tālāk norādītajām direkīvam un to transpozīcijai nacionālajā likumdošanā, 8) Iekārtām IV pielikumā, 9) Apliecinājumam, 10) Reģistrēta organizācija, 15) lietotajiem saskaņotajiem standartiem, 16) lietotajiem tehniskajiem standartiem un specifikācijām, 17) Sastādīts, 18) Datums, 19) Parakstītāja vārds, 20) Amats, 21) Paraksts.

mt : 1) Dikjarazzjoni ta' Konformità KE (originali), 2) Il-kumpanija, 3) Indirizz, 4) fajl tekniku, 5) Manifatturċi tal-magna deskritta hawn isfel, 6) Tidjkkjara li din il-magna, 7) Hija konformi hija konformi mad-Direttivi segwenti u l-ligijiet li jimplimentawhom fil-ligi nazzjonali, 8) Għall-magni fl-Anness IV, 9) Numru taċ-certifikat, 10) Entità nnotifikata, 15) l-istandards armonizzati użati, 16) standards tekniki u specifikazzjonijiet oħra użati, 17) Magħmul f', 18) Data, 19) lsem il-firmatarju, 20) Kariga, 21) Firma.

nl : 1) EG-verklaring van overeenstemming (oorspronkelijk), 2) Het bedrijf, 3) Adres, 4) technisch dossier, 5) Constructeur van de hierna genoemde machine, 6) Verklaart dat deze machine, 7) In overeenstemming is met de volgende richtlijnen en hun omzettingen in het nationale recht, 8) Voor machines van bijlage IV, 9) Goedkeuringsnummer, 10) Aangezegde instelling, 15) gehanteerde geharmoniseerde normen, 16) andere gehanteerde technische normen en specificaties, 17) Opgemaakt te, 18) Datum, 19) Naam van ondergetekende, 20) Functie, 21) Handtekening.

no : 1) CE-samsvarserklæring (original), 2) Selskapet, 3) Adresse, 4) tekniske arkiv, 5) Fabrikant av følgende maskin, 6) Erklærer at denne maskinen, 7) Oppfyller kravene i følgende direktiver, med nasjonale gjennomføringsbestemmelser, 8) For maskinene i tillegg IV, 9) Attestnummer, 10) Notifisert organ, 15) harmoniserte standarder som brukes, 16) Andre standarder og spesifikasjoner brukt, 17) Utstedt i, 18) Dato, 19) Underskriverens navn, 20) Stilling, 21) Underskrift.

pl : 1) Deklaracja zgodności CE (oryginalne), 2) Spółka, 3) Adres, 4) dokumentacji technicznej, 5) Wykonawca maszyny opisanej poniżej, 6) Oświadczają, że ta maszyna, 7) Jest zgodna z następującymi dyrektywami i odpowiadającymi przepisami prawa krajowego, 8) Dla maszyn załącznik IV, 9) Numer certyfikatu, 10) Jednostka certyfikująca, 15) zastosowanych norm zharmonizowanych, 16) innych zastosowanych norm technicznych i specyfikacji, 17) Sporządzono w, 18) Data, 19) Nazwisko podpisującego, 20) Stanowisko, 21) Podpis.

pt : 1) Declaração de conformidade CE (original), 2) A empresa, 3) Morada, 4) processo técnico, 5) Fabricante da máquina descrita abaixo, 6) Declara que esta máquina, 7) Está em conformidade as directivas seguintes e às suas transposições para o direito nacional, 8) Para as máquinas no anexo IV, 9) Número de certificado, 10) Entidade notificada, 15) normas harmonizadas utilizadas, 16) outras normas e especificações técnicas utilizadas, 17) Elaborado em, 18) Data, 19) Nome do signatário, 20) Cargo, 21) Assinatura.

ro : 1) Declarație de conformitate CE (originală), 2) Societatea, 3) Adresa, 4) cărții tehnice, 5) Constructor al mașinii descrise mai jos, 6) Declară că prezenta mașină, 7) Este conformă cu directivele următoare și cu transpunerea lor în dreptul național, 8) Pentru mașinile din anexa IV, 9) Număr de atestare, 10) Organism notificat, 15) standardele armonizate utilizate, 16) alte standarde și specificații tehnice utilizate, 17) Intocmit la, 18) Data, 19) Numele persoanei care semnează, 20) Funcția, 21) Semnătura.

sk : 1) ES vyhlásenie o zhode (pôvodný), 2) Názov spoločnosti, 3) Adresa, 4) technickej dokumentácie, 5) Výrobca nižšie opísaného stroja, 6) Vyhlasuje, že tento stroj, 7) Je v súlade s nasledujúcimi smernicami a smernicami transponovanými do vnútroštátneho práva, 8) Pre stroje v prílohe IV, 9) Číslo certifikátu, 10) Notifikačný orgán, 15) použité harmonizované normy, 16) použité iné technické normy a predpisy, 17) Miesto vydania, 18) Datum vydania, 19) Meno podpisujúceho, 20) Funkcia, 21) Podpis.

sl : 1) ES Izjava o ustreznosti (izvirna), 2) Družba, 3) Naslov, 4) tehnične dokumentacije, 5) Proizvajalac tukaj opisanega stroja, 6) Izjavlja, da je ta stroj, 7) Ustreza naslednjim direktivam in njihovih transpoziciji v državno pravo, 8) Za stroje priloga IV, 9) Številka potrdila, 10) Obvestilo organu, 15) uporabljene harmonizirane standarde, 16) druge uporabljene tehnične standarde in zahteve, 17) V, 18) Datum, 19) Ime podpisnika, 20) Funkcija, 21) Podpis.

sv : 1) CE-försäkran om överensstämmelse (original), 2) Företaget, 3) Adress, 4) tekniska dokumentationen, 5) Konstruktor av nedan beskrivna maskin, 6) Försäkrar att denna maskin, 7) Överensstämmer med nedanstående direktiv och införlivandet av dem i nationell rätt, 8) För maskinerna i bilaga IV, 9) Nummer för godkännande, 10) Organism som underrättats, 15) Harmoniserade standarder som använts, 16) andra tekniska standarder och specifikationer som använts, 17) Upprättat i, 18) Datum, 19) Namn på den som undertecknat, 20) Befattning, 21) Namnteckning.

Figure 49: Second page of the declaration of conformity

2.3. ENVIRONMENT

2.3.1 EXHAUST GAS AFTER-TREATMENT SYSTEM (DPF + SCR + EGR) AND POLLUTANT GAS EMISSIONS CONTROL

(Excluding MRT-X model machines)

Main components of the after-treatment system

- Diesel Particulate Filter (DPF).
- Catalytic converter (SCR).
- Valve (EGR).
- DEF tank.

Operation of the exhaust gas after-treatment system

This system controls and reduces the harmful emissions of the exhaust gas produced by the engine.

In order to comply with the regulations set by the European Union (EU) and by the Environmental Protection Agency (EPA / ARB), a polluting gas emission control system has been designed that is activated when there are emissions-related warnings.

The following events trigger a warning light:

- Low DEF level.
- Faulty after-treatment system (SCR + EGR + DPF).

If a fault occurs in the after-treatment system or if the fault is not resolved, the system intervenes by automatically and gradually reducing engine performance.

The system is equipped with an emergency command ("override" feature) in order to temporarily disable power reductions caused by the emission control system. The feature is available for a limited time (30 min.) and is designed to allow the operator to move the telehandler to a safe location.

The SCR system is monitored to verify the possible formation and accumulation of DEF crystals (crystallization) inside it or in the circuit. As soon as crystallization is detected, a parked regeneration request (telehandler stopped) is sent, indicated by a flashing regeneration light.

After the warning, parked regeneration must be started by the operator as soon as possible.

If the parked regeneration (telehandler stopped) is not carried out, the polluting gas emission control system activates the specific engine protection features.

The number of regenerations is therefore monitored.

On the display in the cabin, the display and monitoring of the after-treatment system is carried out by means of light indicators.

Table 72. Overview of the indicator lights

	<p>Engine power reduction strategies and control for low level DEF tank. Indicator behavior:</p> <ul style="list-style-type: none"> Steady bright = attention step (Level <10%). Flashing 1Hz = Phase 1* (Level 0%). Strategy: engine weakening Flashing 1Hz = Phase 2* (Level 0% and DEF pump pressure 0%). Strategy: engine weakening and limited speed.
	<p>Emission-related malfunction of the exhaust gas after-treatment system (SCR / EGR / DPF) or DEF supply.</p> <ul style="list-style-type: none"> Steady bright = filter replacement required. Flashing 1hz = filter replacement required. Flashing 1hz = filter replacement required Phase 1*. Strategy: engine weakening. Flashing 1hz = filter replacement required, system reaction active.
	<p>Steady bright: DPF filter regeneration required.</p>
	<p>Steady bright: DPF regeneration approved and activated.</p>
	<p>Steady bright: DPF regeneration disabled by the operator.</p>
	<p>Steady bright: regeneration enabled and high temperature of the exhaust gas.</p>



*: **Contact your agent or dealer immediately.**

Parked regeneration of DPF filter (telehandler stopped)



DPF regeneration is an automated procedure, which is initiated by the operator when the following warning lights are flashing: o + after 50 hours of operation with an engine speed reduction of 25%.

Park the telehandler in a safe and sufficiently ventilated place.

Check the following points:

- Neutral gear selector.
- Parking brake applied.
- No action on the manipulator of the hydraulic controls.
- Boom in transport position.
- Accelerator pedal released.
- Manual accelerator not used.

Check that the fuel level is sufficient.

Start the telehandler and run the heat engine for a few minutes to bring it to operating temperature (60° C - 140° F).

Press the button for more than two seconds to start the DPF regeneration procedure.

The steady lighting of the button (blue or yellow) validates the activation of the procedure.

Follow the steps indicated on the information display.



The DPF regeneration procedure should only be interrupted if necessary.

The procedure stops automatically if the operator:

- Operates the joysticks of the hydraulic movements.
- Operates the forward or reverse direction selector.
- Turns off the heat engine.
- Presses the button.

Alert strategies and engine reduction levels (EU - EPA / ARB)

Different control steps of the exhaust gas after-treatment system and polluting emissions can be identified, which follow one another:

2.4. COMPONENTS

2.4.1 CONTROLS

Driver's cab



Figure 51: Driver's cab

Overview

1. Operator's seat.
2. Seat left armrest.

3. Left armrest button console.
4. Left joystick.

5. Service brake pedal and inching control.
6. Adjustable steering column lever.
7. Safety buttons and switches.
8. Control lever for lights, horn, indicator lights and wipers.
9. Steering wheel.
10. Ignition lock.
11. "HMI" display (man-machine interface).
12. Forward / neutral / reverse direction selector.
13. Accelerator pedal.
14. "Emergency stop" button.
15. Right joystick.
16. "HMI" information screen navigator (man-machine interface).
17. Right armrest button console.
18. Seat right armrest.

2.4.2 PEDALS AND DIAGNOSIS SOCKETS

SERVICE BRAKE PEDAL

The pedal (1) acts on the front and rear wheels and allows you to slow down and block the telescopic handler.

The brake pedal (1) in the first 20 mm of travel works as an Inching pedal allowing for precise and slow movements, in the remaining stroke it produces the braking effect.

ACCELERATOR PEDAL

Pedal (2) that allows you to vary the speed of the telescopic handler by acting on the number of revolutions made by the heat engine.

DIAGNOSIS SOCKETS

Remove the cover (3) to access the diagnostics sockets (A) and (B):

1. Machine electronics
2. Machine and engine electronics

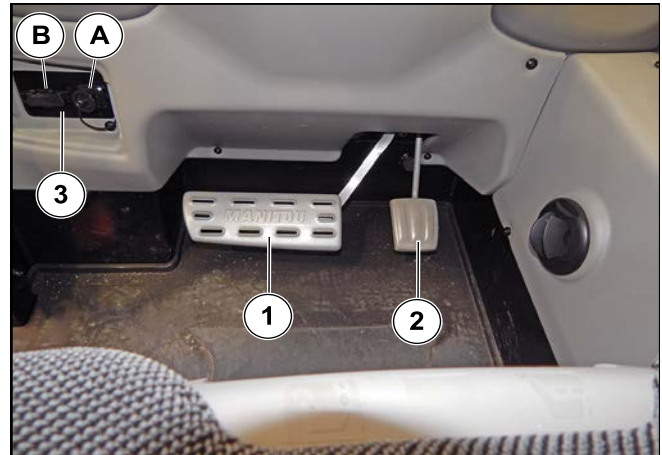


Figure 52: Pedals and diagnosis sockets

2.4.3 ADJUSTABLE STEERING COLUMN LEVER

Adjusting the steering wheel

The lever (1) allows you to adjust the steering wheel to suit the operator.

Push down the lever (1) to loosen the grip of the steering wheel lock:

- Adjust the height.
- Adjust the telescopic adjustment.

Pull the lever (1) up to lock the steering wheel.

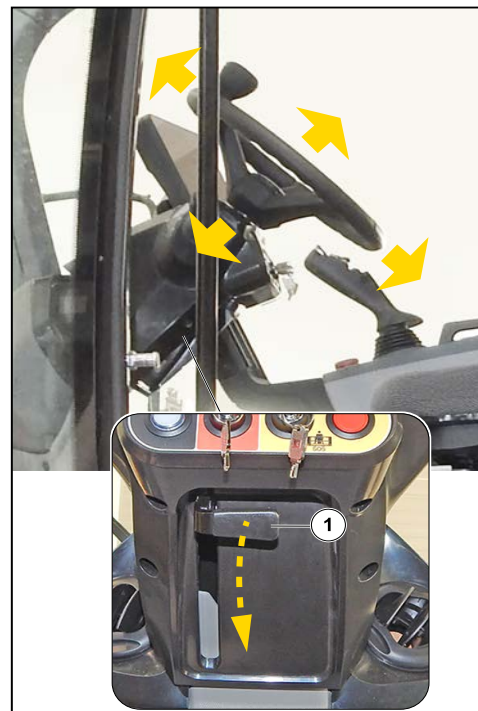


Figure 53: Adjusting the steering wheel

2.

TECHNICAL DATA AND DESCRIPTION

2.4.4 CONTROL LEVER FOR LIGHTS, HORN, INDICATOR LIGHTS AND WIPERS

The switch controls:

- Turning on the lights.
- Indicators.
- The acoustic signal.
- Wipers.

To control the features move or press (horn) the lever or rotate the 3 selectors.

When some features are enabled, warning lights on the display light up.



Figure 54: Control lever for lights, horn, indicator lights and wipers

Symbols overview

Table 73.

1 - REAR AND UPPER WIPER CONTROL RING SELECTOR	
	Top and rear control (side if present)
	Rear control
	Top control

1 - REAR AND UPPER WIPER CONTROL RING SELECTOR	
	Off control
	Upper and rear window washer control (side if present)

Table 74. Front wiper control dial selector



2 - FRONT WIPER CONTROL RING SELECTOR	
	Second speed
	First speed
	Intermittent speed
	Off control
	Window washer control

Table 75. Front wiper control dial selector

3 - LIGHTS CONTROL RING SELECTOR	
	Rear fog lamp
	Dipped beam
	Sidelights
	Off control

Table 76. Front wiper control dial selector

4 - LEVER CONTROLS	
	Horn (press)
	Indicator lights
	<ul style="list-style-type: none"> • Lever up: Turn right • Lever down: Turn left

4 - LEVER CONTROLS	
	High beams on • Lever forward
	High beam flashing • Lever back

2.4.5 SIDE REAR VIEW MIRRORS AND USB PORT

EXTERNAL SIDE REAR VIEW MIRRORS CONTROLS

Move the control (1) to adjust the visibility from the left (1A) (cabin side) or right (1B) (engine side) rear view mirror.

Turn the knob (1) clockwise (A) to select the left rear view mirror (1A).

Turn the knob (1) counterclockwise (B) to select the right rear view mirror (1B).

USB PORT

The USB port (2) allows the power supply of compatible electronic devices and communication with the vehicle stereo.

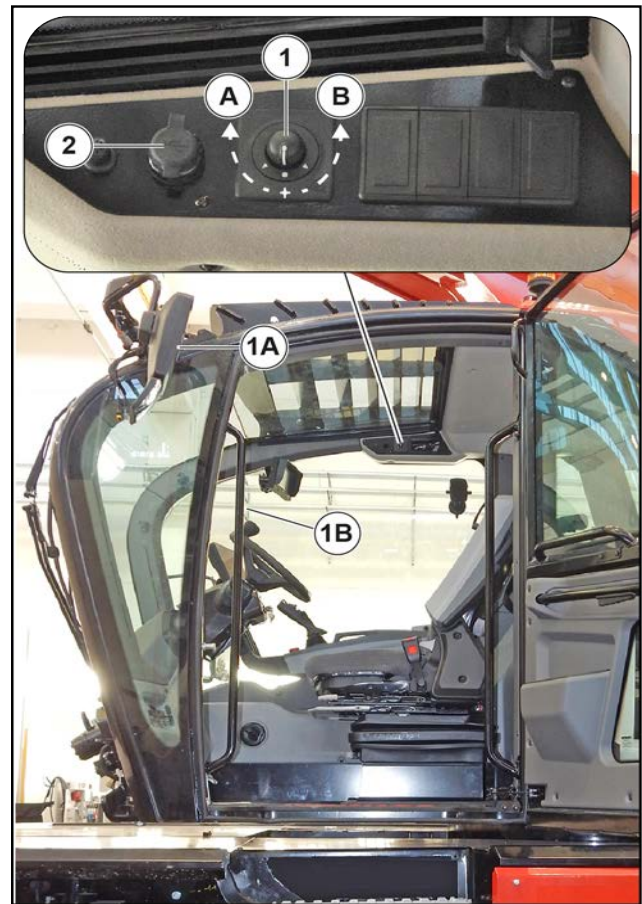


Figure 55: External side rear view mirrors control and USB port

2.4.6 SUNSHADE

The sunshade (1) can completely obscure the top of the cabin window (2) and drop onto a part of the front window (3).

Move the sunshade (1) at the top of the window (2) forwards or backwards and release it in the desired position.

Move the sunshade (1) as far as possible from the top of the window (2) until it slides to obscure the front windshield (3) and fasten it to the fasteners (4) positioned on cabin uprights.

⚠ DANGER

Risk of injury to the operator

When returning to its position, the sunshade could suddenly snap backwards with the risk of breaking or hitting the operator.

When unhooking the sunshade (1) from the front window (3), do not release it, but hold onto it until it is completely retracted.

2.4.7 DISPLAY HEIGHT ADJUSTMENT KNOB

To move the Display to the desired height, pull and hold the knob (1) located on the side of the Display (2).

To lock the position of the Display, release the knob (1).



Figure 56: Display height adjustment knob

2.4.8 CABIN ACCESSORIES

The following standard accessories are available in the cabin of all machine models:

- 12V SOCKET (1)
- BEVERAGE HOLDER (2)
- MOBILE PHONE HOLDER (3)



Figure 57: Cabin accessories

2.4.9 CEILING LIGHT AND REAR WINDOW OPENING LEVER

CEILING LAMP

The switch (1) is incorporated in the ceiling light (2).

The switch (1) has two positions:

- Continuous lighting.
- Shutdown.

REAR WINDOW OPENING LEVER

To open the rear window (3), turn the lever (4) clockwise and push the window (3).

Emergency exit

If it is impossible to get out of the cabin door or the front windshield opening, use the rear window (3) as an emergency exit.

Remove the split pin (4A) to fully open the rear window (3).

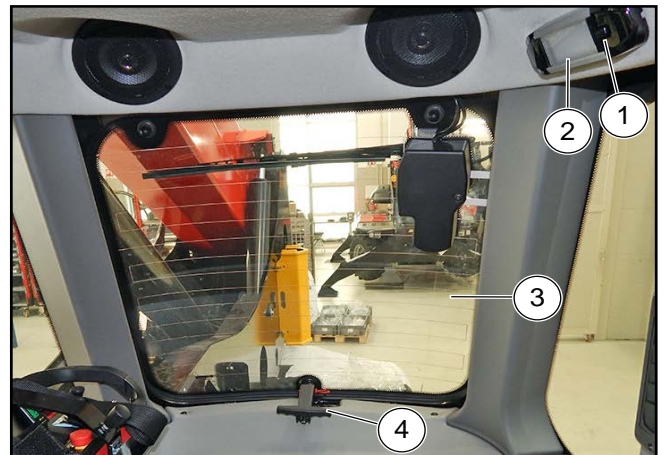


Figure 58: Ceiling light and rear window opening lever

2.4.10 OPENING THE DOOR AND DOOR WINDOW

DOOR WINDOW RELEASE LEVER

To open the door window, grasp the bar (2) and push the lever (1) back.

DOOR OPENING HANDLE

To open the door, grasp the bar (3) and press the handle (3A).



Figure 59: Opening the door and door window

2.4.11 DOOR WINDOW RELEASE LEVER FROM INSIDE CABIN

To unlock the door window, operate the lever (1).

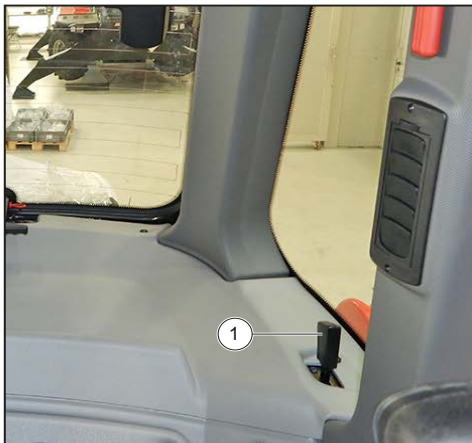


Figure 60: Door window release lever from inside cabin

2.4.12 DOOR WINDOW RELEASE LEVER FROM OUTSIDE CABIN

The lever (1) is located under the cabin. To unlock the door window, grasp the lever (1) and push it back.



Figure 61: Door window release lever from outside cabin

2.4.13 AIR DIFFUSERS

AIR DIFFUSERS FOR DEMISTING SIDE AND FRONT WINDOWS

For optimum efficiency, before turning on the air diffusers (1) for demisting the windows, close the heating air vents (2).

HEATING AIR VENTS

The heating vents (2) allow for distributing ventilated air inside the cabin, on the upper (2A), rear (2B) and lower (2C) parts.



Figure 62: Demisting diffusers and heating air vents

2.4.14 REGISTRATION PLATE

The vehicle is designed for the posting of the registration plate (1) for road traffic and its lighting (2).

The registration plate must comply with mandatory regulations in the country where the vehicle is registered.

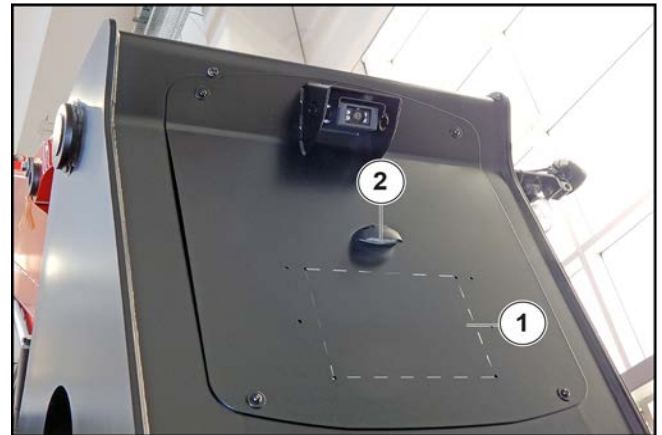


Figure 63: License plate and plate lighting

2.4.15 HEADLIGHTS

1. Front left turn signal light (amber).
2. Front left low beam light (white).
3. Front left high beam light (white).
4. Front left parking light (white) with daylight feature.
5. Front right turn signal light (white).
6. Front right low beam light (white).
7. Front right high beam light (white).
8. Front right parking light (white) with daylight feature.

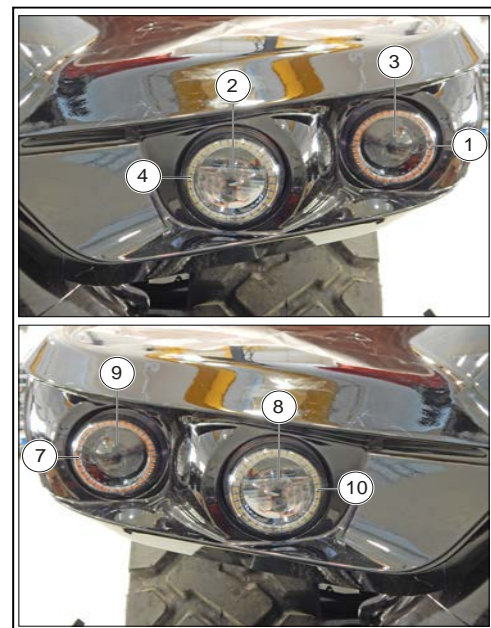


Figure 64: Headlights

2.4.16 BEACON AND SIGNAL HEADLIGHTS

AMBER LED BEACON

The beacon (1) must be turned on every time the vehicle is used to indicate that it is in operation.

The beacon (1) is turned on from the cabin by pressing the button on the "HMI" navigator.

RED LED HEADLIGHT



Risk of vehicle overturning

When disabling the vehicle's Manitou Safety System (MSS) there is a risk of the vehicle turning over.

The headlight (2) turns on steadily together with an acoustic signal to indicate that the vehicle's Manitou Safety System (MSS) has been temporarily disabled by the operator, and flashes if the machine reaches 100% load status.

FLASHING WHITE LED HEADLIGHT

The headlight (3) on (slow double white flash) warns and indicates that the remote control feature is enabled and that the telescopic handler is being remotely controlled.

The headlight (3) off, indicates that the remote control feature is not active.

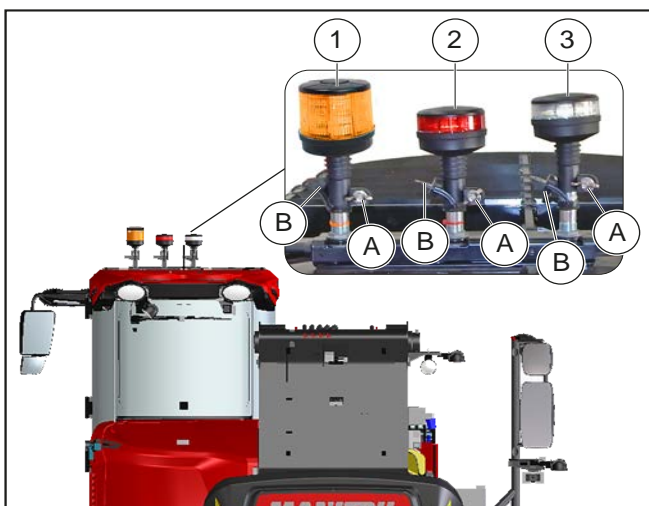


Figure 65: Headlights and beacon

The beacon (1) and the headlights (2) and (3) can be tilted to reduce, when necessary, the overall space taken up by the telescopic handler.

The beacon (1) and the headlights (2) and (3) can also be disassembled to prevent theft:

- Unscrew the nut (A) and remove the beacon or the headlights.
- Protect the base with the cover (B).

2.4.17 BATTERY DISCONNECT SWITCH

It allows for quickly isolating the battery, for example in case of intervention on the electric circuit or in case of welding.

1. Switch off the telehandler.
2. Wait at least 30 seconds.
3. Operate the switch (1).
4. Wait for the warning light (1a) to go out, from 30 seconds to 5 min., before disconnecting the battery (1).



Wait for the warning light (1a) to go out before disconnecting the battery (1). This waiting time is required for the diesel emission fluid (DEF) system.



Figure 66: Battery disconnect switch

2.4.18 BOOM SAFETY WEDGE



Only use the safety wedge (1) supplied with the telehandler.

⚠ DANGER

Risk of crushing

The safety wedge must be installed by accessing the walkable surface of the undercarriage from the right side staircase.

During installation of the safety wedge, do not stand under the telescopic boom.

The telescopic handler is equipped with a safety wedge (1) which prevents accidental descent of the telescopic boom during maintenance operations of the same or in the areas below it. The boom safety wedge must be installed on the rod of the handler cylinder.

When not in use, the safety wedge (1) is positioned on the telehandler turret through its fixings (1a).



Figure 67: Boom safety wedge

2.5. OPERATOR AREA

2.5.1 GETTING IN AND OUT OF THE VEHICLE

⚠ WARNING

The vehicle is equipped with three ladders (front, rear and right side) that allow access to the walkable surface above the vehicle's undercarriage. The ladders must only be used during maintenance operations and only to access the walkable surface.

It is not allowed to use the front, rear or right side ladder to get inside the vehicle cabin.

⚠ WARNING

To get in and out of the vehicle, use the access ladder located on the right side of the vehicle (fuel tank area).

The telehandler is equipped with access steps (1) and two handles (2) which are located inside the cabin to facilitate the operator's entry and exit from it.



Figure 68: Getting in and out of the vehicle

2.5.2 A - DRIVER'S SEAT (STANDARD)

Designed for maximum comfort, this seat can be adjusted as follows.

Sit in the seat properly.

1. Forward-backward adjustment of the seat, in relation to the control joysticks.
Pull the lever (1) up.
Move the seat forward or backward to the desired position, depending on the armrests.
Release the lever and make sure it returns to the blocked position.

2. Forward-backward adjustment of the seat.
Pull the handle (2) upwards.
Move the seat forwards or backwards to the desired position.
Release the lever and make sure it returns to the blocked position.

3. Tilting seat backrest.
Pull the lever up (3) and tilt the seat to the desired position.
Release the lever and make sure it returns to the blocked position.



If the backrest is not supported during adjustment, it will tilt all the way forward.

4. Weight-dependent seat suspension adjustment.
Depending on the weight of the operator, the excursion of the seat suspension can be varied.
To do this, use the crank (4) to set the desired value.
The weight value is displayed in the indicator alongside (4a) the crank (4).
Release the crank and make sure it returns to the blocked position.

5. Adjusting the seat cushion depth.
Pull the handle (5) upwards.
Move the seat to the desired position.
Release the lever and make sure it returns to the blocked position

6. Adjusting seat cushion forward tilt.
Pull the handle (6) upwards.
Move the seat to the desired position.
Release the lever and make sure it returns to the blocked position

7. Lumbar adjustment of the seat backrest.
Turn the knob (7) to adjust the lumbar area of the backrest.



Figure 69: Driver's seat (standard)

2.5.3 B - PNEUMATIC SEAT FOR DRIVER (OPTIONAL)

Designed for maximum comfort, this seat can be adjusted as follows.

Sit in the seat properly.

Switch on the electrical contact of the telehandler.

1. Forward-backward adjustment of the seat, in relation to the control joysticks.
Pull the lever (1) upwards.
Move the seat forward or backwards to the desired position, depending on the armrests.
Release the lever and make sure it returns to the blocked position.

2. Forward-backward adjustment of the seat.
Pull the handle (2) upwards.
Move the seat forwards or backwards to the desired position.
Release the lever and make sure it returns to the blocked position.

3. Seat backrest tilting adjustment.
Supporting the backrest, pull the lever upwards (3) and tilt the seat to the desired position.
Release the lever and make sure it returns to the blocked position.



If the backrest is not supported during adjustment, it will tilt all the way forward.

4. Height and weight adjustment:

- Seat suspension adjustment according to the operator's weight.
Pull the lever (4) once to self-adjust the seat suspension according to the weight of the operator.
Release the lever (4).
- Seat height adjustment.
Keep the lever (4) pulled up or down to vary the seat height.
Release the lever (4) at the desired height.

5. Blocking lever (5) for suspension adjustment.

6. Seat cushion depth adjustment.
Pull the handle (6) upwards.
Move the seat to the desired position.
Release the lever and make sure it returns to the blocked position

7. Adjusting seat cushion forward tilt.
Pull the handle (7) upwards.
Move the seat to the desired position.
Release the lever and make sure it returns to the blocked position.

8. Lumbar adjustment of the backrest.
Press the switch (8) to adjust the lumbar support.
Release the switch (8) in the desired position.

9. Blocking lever (9) for seat forward-backward adjustment.

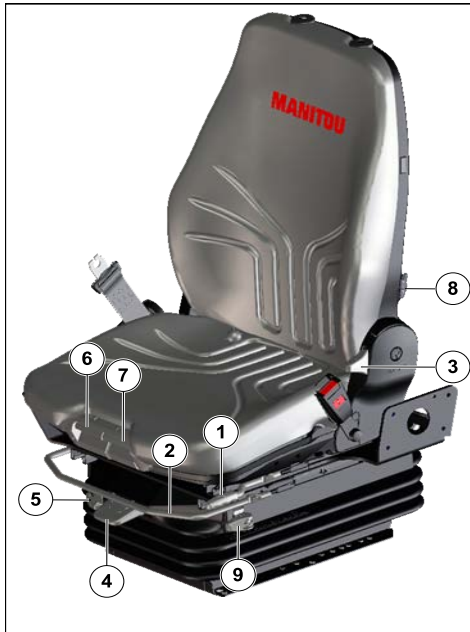



Figure 70: Pneumatic seat for driver (optional)

2.5.4 C - HEATED / AIR-CONDITIONED DRIVER'S SEAT (OPTIONAL)

Designed for maximum comfort, this seat can be adjusted as follows.

Sit in the seat properly.

Switch on the electrical contact of the telehandler.

1. Forward-backward adjustment of the seat, in relation to the control joysticks.
Pull the lever (1) upwards.
Move the seat forward or backward to the desired position, depending on the armrests.
Release the lever and make sure it returns to the blocked position.
 2. Forward-backward adjustment of the seat.
Pull the handle (2) upwards.
Move the seat forwards or backwards to the desired position.
Release the lever and make sure it returns to the blocked position.
 3. Seat backrest tilting adjustment.
Supporting the backrest, pull the lever upwards (3) and tilt the seat to the desired position.
Release the lever and make sure it returns to the blocked position.
- 

If the backrest is not supported during adjustment, it will tilt all the way forward.
4. Height and weight adjustment:
 - Seat suspension adjustment according to the operator's weight.

- Pull the lever (4) once to self-adjust the seat suspension according to the weight of the operator.
Release the lever (4).
 - Seat height adjustment.
Keep the lever (4) pulled up or down to vary the seat height.
Release the lever (4) at the desired height.
5. Blocking lever (5) for suspension adjustment.
 6. Seat cushion depth adjustment.
Pull the handle (6) upwards.
Move the seat to the desired position.
Release the lever and make sure it returns to the blocked position
 7. Tilting seat cushion forward.
Pull the handle (7) upwards.
Move the seat to the desired position.
Release the lever and make sure it returns to the blocked position.
 8. Lumbar adjustment of the backrest.
Press the switch (8) to adjust the lumbar support.
Release the switch (8) in the desired position.
 9. Blocking lever (9) for seat forward-backward adjustment.
 10. Seat heating and air conditioning.
Press the switch (10) to activate the heating and ventilation of the seat cushion and backrest.
 11. Headrest extension.
The height of the headrest (11) can be adjusted by pulling it upwards (the grooves will snap into the joints) as far as the stop.
The headrest (11) can be removed by applying enough pressure to free it from the stop.

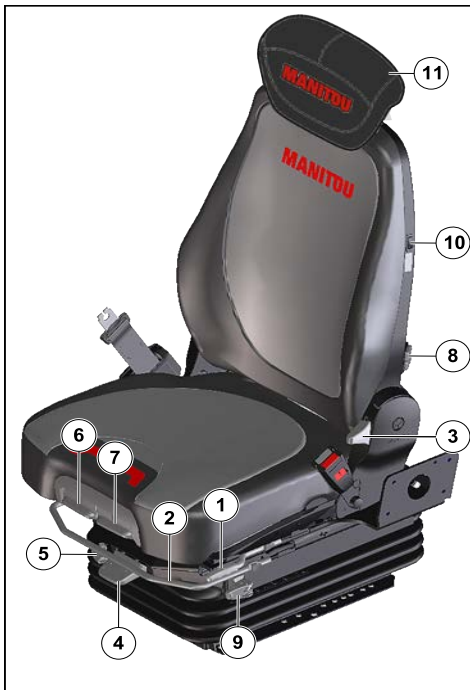


Figure 71: Heated / air conditioned driver's seat (optional)




Figure 72: Seat belt

2.5.5 SEAT BELT

Sit in the seat properly.

- Make sure that the belt (1) is not twisted.
- Wear the belt at the level of the pelvis.
- Fasten the seat belt (1) and check that it is securely locked (2).
- Adjust the belt according to your body size, avoiding compressing the pelvis and without excessive play.

 **Never use the telehandler with a defective seat belt (fastening, locking, stitching, tearing, etc.). Repair or replace the seat belt immediately.**

2.5.6 IGNITION SWITCH

The switch (1) has 4 positions and its features are:

- **0** : STOP heat engine.
- **I** : General electrical contact "+" (also activates the preheating device if installed).
- **II** : Not used.
- **III** : STARTING the heat engine and returning to position "I" after releasing the key (also deactivates the preheating device if installed).

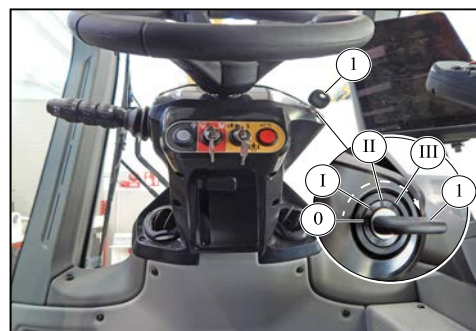


Figure 73: Ignition switch

2.5.7 "EASY MANAGER" ANTI-START SYSTEM (OPTIONAL)

"Easy MANAGER" identification keypad

2.

TECHNICAL DATA AND DESCRIPTION

It requires the creation of identification for the operator from the "EasyMANAGER" portal. For more information contact the dealer.

OPERATION

BY MEANS OF IDENTIFICATION CODE

- Insert the electrical contact on the forklift truck, the LED (1) lights up.
- Enter the identification code and confirm it by pressing the (V) key.
- The LED (2) lights up green to confirm operator identification.
- Switch on the forklift truck immediately, after this period, the identification is canceled and the LED (2) turns red.



In the event of a typing error, the LED (2) lights up red, press the (X) key and wait 10 seconds before entering the correct identification code.

BY MEANS OF IDENTIFICATION CARD

- Insert the electrical contact on the forklift truck, the LED (1) lights up.
- Show the identification card, a beep confirms the reading of the card.
- The LED (2) lights up green to confirm operator identification.
- Switch on the forklift truck immediately, after this period, the identification is canceled and the LED (2) turns red.



Figure 74: "Easy MANAGER" anti-start system

2.6. DISPLAY

2.6.1 DISPLAY CONTROL

INFORMATION SCREEN OF HMI NAVIGATOR

(human machine interface)



The contents of the "SETTINGS" and "DIAGNOSTICS" menus vary according to the equipment of the telehandler.

1. ROTARY KNOB WITH CONFIRMATION BUTTON.
The knob rotates clockwise and counterclockwise.
Turn the knob to scroll the buttons on the pages and navigate within them (if possible), press the knob to confirm your preferences.
Turning the knob (1) activates the highlighting and moves it to elements on the page.
On each page, activation starts from the MENU button (bottom bar, left side).
By turning the knob (1) clockwise, the highlight will move to the shortcuts and then to the screen above.
By turning the knob (1) counterclockwise, the highlight will move to the top area and then to the bottom screen.
Once activated, section highlighting will start from the first element at the top / left of the selected area.

2. SETTINGS PAGE

Briefly press the button (2) to display the "SETTINGS" page.

Turn the knob (1) to navigate on the page and the sub-menus.

Press the knob (1) to confirm your preference.

3. DIAGNOSTICS PAGE

Briefly press the button (3) to display the "DIAGNOSTICS" page.

Turn the knob (1) to navigate the menu and sub-menus.

Press the knob (1) to confirm your preference.

4. BACK BUTTON

Briefly press the button (4) to return to the previous screen.



Figure 75: Display control

2.6.2 DISPLAY ICONS

Overview of symbols and features:

Table 77. Indicators

INDICATORS	
	Sidelights
	Dipped beam headlights
	Main beam headlights

INDICATORS	
	Rear fog lamp
	Indicator lights
	Telescopic handler door open
	Seat belt not fastened
	Engine coolant temperature
	Fuel Reserve (Fuel level less than 10% of tank capacity)
	Hydraulic oil temperature (Blue indicator on, the temperature is low: below 20°)
	Turret position aligned with the undercarriage (depending on machine model)
	Turret aligned with the forklift truck and turret rotation pin inserted. Turret rotation blocked. (Depending on Machine Model)
	Turret in front position (Depending on machine model)
	Turret in rear position: Reverse steering (Depending on machine model)
	Front wheel alignment
	Rear wheel alignment
	Front wheel drive (Driving on road)
	Opposite direction forward and backward wheel steer (Small turning radius)
	Front and rear wheel drive in the same direction (lateral movement)



2.

TECHNICAL DATA AND DESCRIPTION

INDICATORS	
	Rear axle block
	Low gear engaged (Depending on machine model)
	High gear engaged (Depending on machine model)
	Automatic gear (Depending on machine model)
	Diesel exhaust fluid (DEF) tank level
	Emission-related malfunction of the exhaust after-treatment system or of the DEF supply
	Approval of regeneration of the DPF filter
	DPF filter regeneration required
	DPF filter regeneration disabled by the operator
	Active regeneration and high temperature of the exhaust gas
	Active suspension (Depending on machine model)
	Mid suspension (Depending on machine model)
	Suspension fully lowered (Depending on machine model)
	Fully raised suspension (Depending on machine model)
	Platform movement in operation
	Platform movement in operation

INDICATORS	
	Maximum moving speed adjustment
	Heat engine RPM adjustment
	Continuous optional (Oil flow % setting)
	Radio control (Optional)
	2nd optional in operation (Optional)
	3rd optional in operation (Optional)
	Maintenance interval
	4 braking power levels of the magnetic retarder (Optional)
	Bi-energy system status (Optional)


INDICATORS	
	

Table 78. Warning lights

















WARNING LIGHTS	
	Serious heat engine failure
	Heat engine malfunction
	Alternator excitation
	Heat engine oil pressure
	Engine air intake filter
	Transmission oil filter
	Hydraulic oil filter
	Parking brake on
	Low brake oil pressure
	Red warning light for disabling the load limiter
	DANGER! Red warning light for disabling the load limiter

Table 79. Icons

ICONS	
	Eco fuel mode (Lit blue or yellow in operation)
	Drive & Handling shift mode (Lit blue or yellow in operation)
	Eco mode Stop heat engine (Lit blue or yellow in operation)

ICONS	
	Eco fuel mode (Lit blue or yellow in operation)
	Drive & Handling shift mode (Lit blue or yellow in operation)

2.6.3 DISPLAY PAGES

The color screen display (1) shows and informs the operator about all the work phases of the telehandler.

Different control modes stored in the display memory (1) can be selected on touchscreen or via the "HMI" navigator (2) on the right armrest (3) in the cabin.



Figure 76: Display control mode

Upon startup, the HMI shows the Manitou startup animation for 10 seconds while waiting for the application to be ready.

The Manitou logo appears 1 second after the dashboard is activated.

2.

TECHNICAL DATA AND DESCRIPTION



Figure 77: HMI start

The fixed features of the HMI areas are:

- The information bar (1).
- The warning lights and indicators (2a), the load status bar (2b).
- Audio playback in progress (3).
- The button bar (4).
- The top (5) and bottom (6) may be different in relation to the activity shown.

Overview:

- Information bar area (1):
it contains the outdoor temperature, configuration and time.
- Warning lights and indicators area (2a), the load status bar (2b):
it contains the warning lights or indicators, the errors activated, the load status bar, the status of the selector that disables the anti-tipping system and the type of attachment connected.

- Load status bar (2b) indicates the percentage of load lifted with respect to the maximum load that can be lifted in those working conditions:
 - Green part: Safety Zone.
 - Yellow part: Alarm zone. Lifted load greater than 90% of the permissible load (external acoustic signal enabled).
 - Red part: Blocking zone. Lifted load greater than 100% of the permissible load (external horn active).
- Top (5):
contains the main view and the bars of the selected page.
- Bottom (6):
contains touch integration which causes changes at the top.
- Repetition area (3):
multimedia or radio information.
- Button bar area (4):
it contains the main menus of the HMI, man-machine interface.

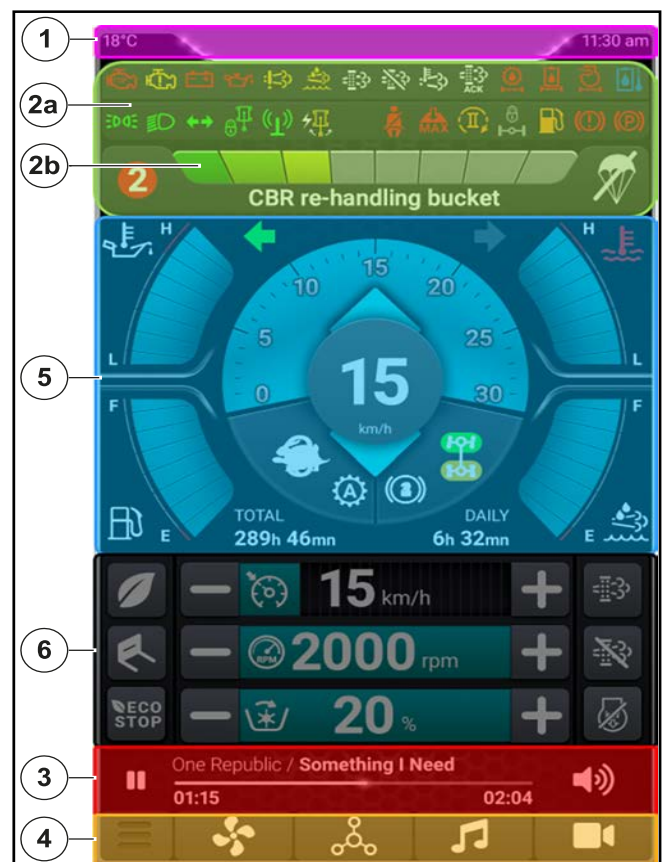


Figure 78: HMI area

2.6.4 BUTTON BAR

- MENU (Main Functions) (A)
- HEATING and AIR CONDITIONING (optional) (B)
- MULTIFUNCTION (C)
- FM RADIO / DAB / USB & PHONE MANAGEMENT (D)
- REAR CHAMBER (E)

Briefly press the button to access the content.

Select a button (B, C, D, E) of the bar (4), the button is highlighted and the content is opened at the bottom of the screen.

Select button (A) to open the drop-down menu on the left side of the screen (see MENU PAGE).

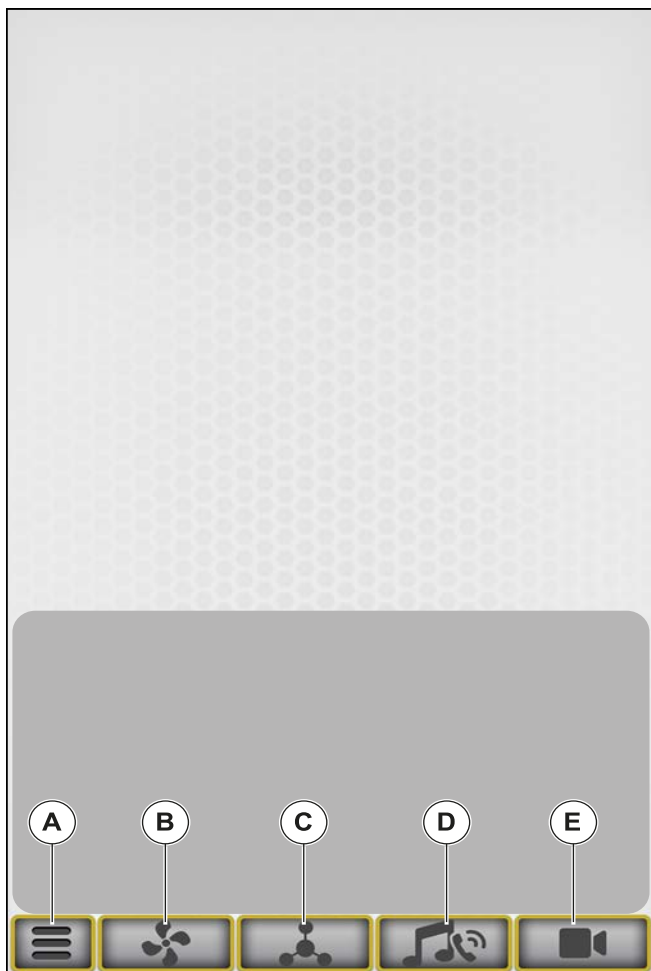


Figure 79: Button bar

B - OPTIONAL HEATING AND AIR CONDITIONING BUTTON

Briefly press the button to access the cabin ventilation panel.

The panel can contain two configurations:

- Heating.
- Air conditioning (optional).

Briefly press the touch buttons to enable or disable the features.

Table 80. Overview buttons icons

Icon	Description
	Ventilation direction: <ul style="list-style-type: none"> • - Air vents • - Glass demisting diffusers.
	Air recirculation
	Max windshield defrost (Only with Air Conditioning)
	Air conditioning ON / OFF (Only with Air Conditioning)
	Automatic control (Only with Air Conditioning)
	Ventilation panel ON / OFF
	Rear window heater
	Exterior rear view mirror heater
	Foot mat heater
	Temperature regulation: + = Increase speed - = Decrease speed
	Fan speed adjustment: (10 speeds available) + = Increase speed - = Decrease speed

2.

TECHNICAL DATA AND DESCRIPTION



Figure 80: Heating and Air Conditioning button (Optional)

Icon	Description
	Rear cabin work light
	Request intermediate suspension height position (keep the button pressed)
	Suspension activation request (briefly press the button)

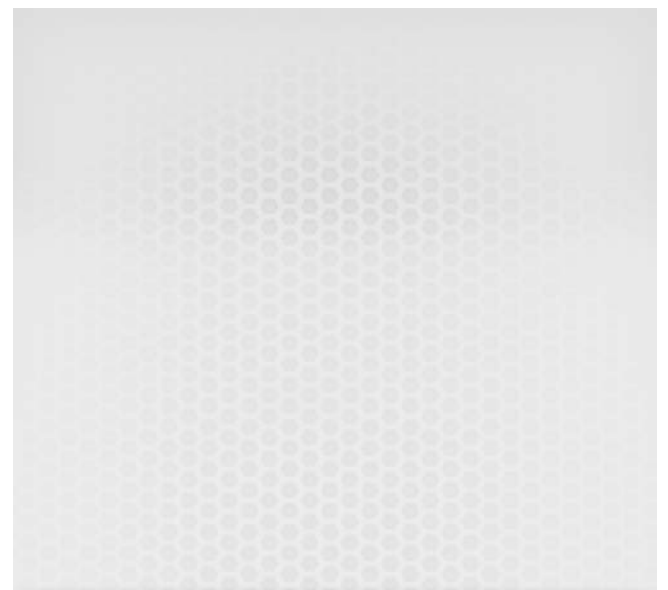


Figure 81: Multi-feature button

C - MULTI-FEATURE BUTTON

Press the button briefly to access some features of the rotating telehandler.

Briefly press the controls to enable or disable the features.

Table 81. Icons overview

Icon	Description
	Work lights at the top of the telescopic boom (optional)
	Front cabin work lights (optional)
	Corner light (optional)
	Rear, roof and side wipers, intermittent activation

D - FM RADIO / DAB / USB & PHONE MANAGEMENT

Briefly press the button to access the management screen of RADIO, USB, BLUETOOTH, TELEPHONE features. The button is highlighted.

Press the buttons briefly to enable the features. Selected buttons or enabled features are highlighted.



Figure 82: Radio management button

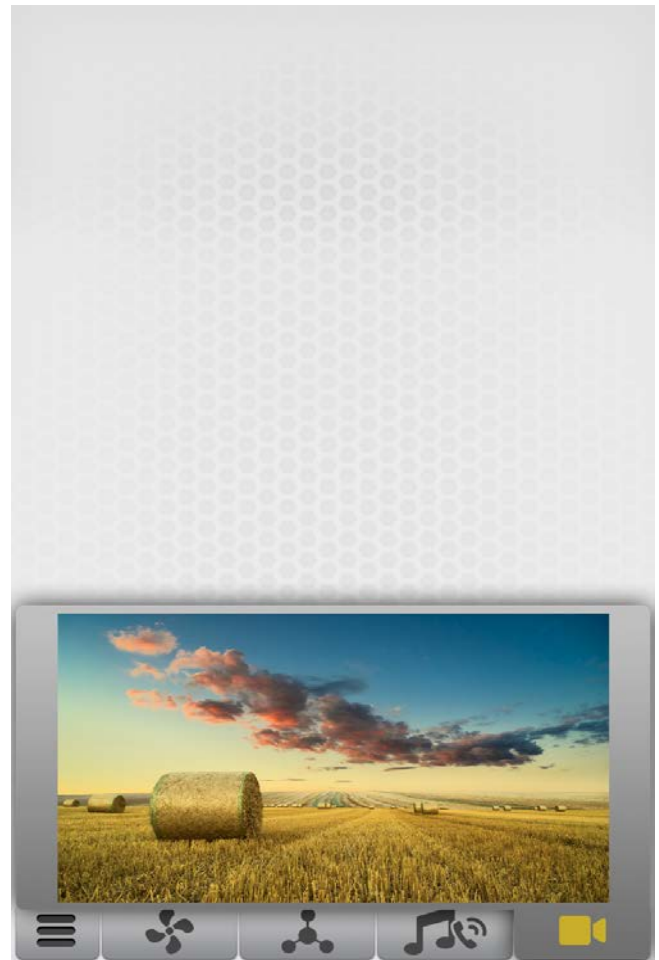


Figure 83: Rear camera

E - REAR CAMERA

Briefly press the touch screen button to access the screen. The button is highlighted.

The camera shortcut can be shown at the operator's request or during reverse gear activation.

The camera shows the rear of the rotating telehandler.

2.6.5 MENU PAGES

Overview:

1. "DRIVE" PAGE
2. "WORKING" PAGE
3. "STABILITY" PAGE
4. "ADJUSTMENTS" PAGE
5. "DIAGNOSTICS" PAGE
6. "SETTINGS" PAGE
7. "RESOURCES" PAGE
8. "INFORMATION" PAGE

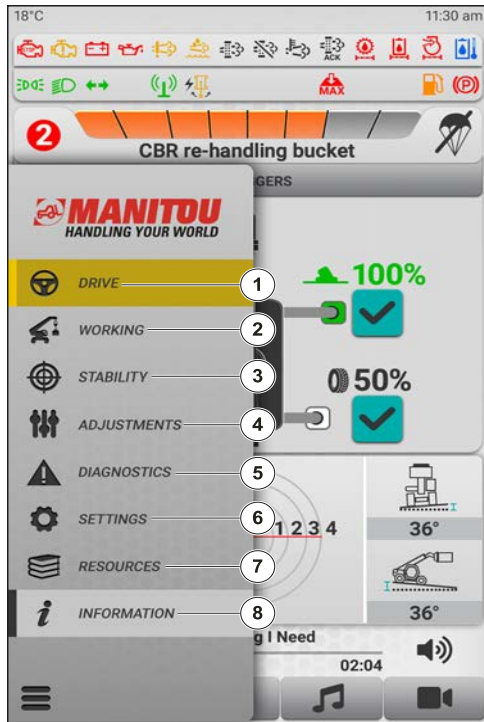


Figure 84: Menu Pages

14. ECO STOP button (14) Enabling this feature allows the engine to stop after a certain time interval. Briefly press the button to enable or disable the feature. Once the button is pressed, it is highlighted.
15. "HANDLING" driving mode (15) This feature allows you to select the "HANDLING" driving mode: for handling loads in the work area. Briefly press the button to enable or disable the feature. Once the button is pressed, it is highlighted to indicate that the feature is active.
16. ECO MODE (16) Enabling this feature allows you to reduce fuel consumption if the driving speed is kept constant. Briefly press the button to enable or disable the feature. Once the button is pressed, it is highlighted.
17. Regeneration request button (17) Keep the button pressed to enable the feature. Once the button is pressed, it is highlighted.
18. Regeneration inhibition button (18) Press the button briefly to enable the feature. Once the button is pressed, it is highlighted.
19. Engine override feature button (19) Press the button briefly to enable the feature. Once the button is pressed, it is highlighted.

2.6.6 "DRIVE" PAGE

The "DRIVE" page displays the main information related to driving.

The main information in the upper area relates to levels and actual values:

1. Tachometer (x100 rpm) (1).
2. Speedometer (km / h or mph) (2).
3. Engine coolant temperature gauge (3).
4. Diesel exhaust fluid (DEF) level gauge that provides information on the amount of DEF in the tank (4).
5. Fuel level gauge (5).
6. Hydraulic oil temperature gauge (6).
7. Forward - reverse direction indicator (7).
8. Total hours meter (8).
9. Partial hour meters (9).
10. Consumption (10).

The main information in the lower area relates to engine and transmission settings:

11. Setting the maximum speed of the rotating telehandler (11).
12. Engine revs setting (rpm) (12).
13. Continuous adjustment of the oil flow of the attachment line (13).

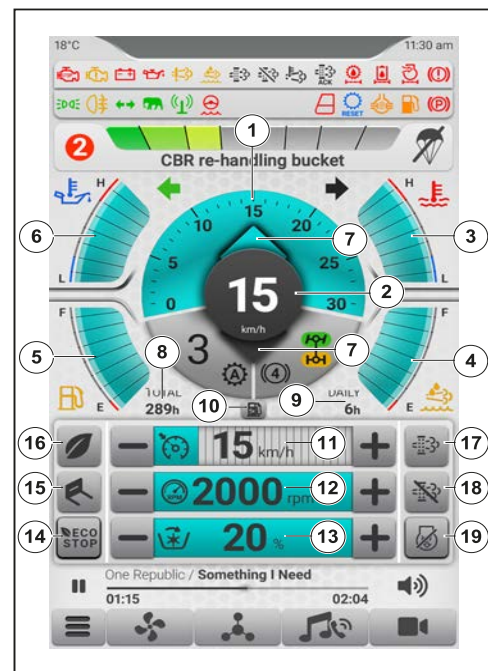


Figure 85: "DRIVE" page

2.6.7 "WORKING" PAGE

The "WORKING" page displays the main information of the telehandler and the reading of the main working data.

Furthermore, on the "WORKING" page, you have the possibility to select three tabs, one at a time, from the tab bar (4), at the top of the screen.

Always displayed in the central area of the screen is the load chart inherent to the attachment connected to the telescopic handler which changes automatically according to the working condition of the machine, stabilized or on tires.

Tab overview:

- **GEOMETRICAL:** Displays the chart and geometric values of the vehicle.
- **DIAGRAM INFO (LOAD CHART):** displays the complete chart without geometric values.
- **SIMULATOR:** displays and allows a simulation of maximum load.

"GEOMETRICAL" tab:

- Maximum permissible load.
- Weight of the lifted load.
- Length of the telescopic boom.
- Ground clearance.
- Telescopic boom angle.
- Working range.
- Turret angle.
- Coupling angle.
- Vehicle tilt angle.
- Position of the stabilizers.

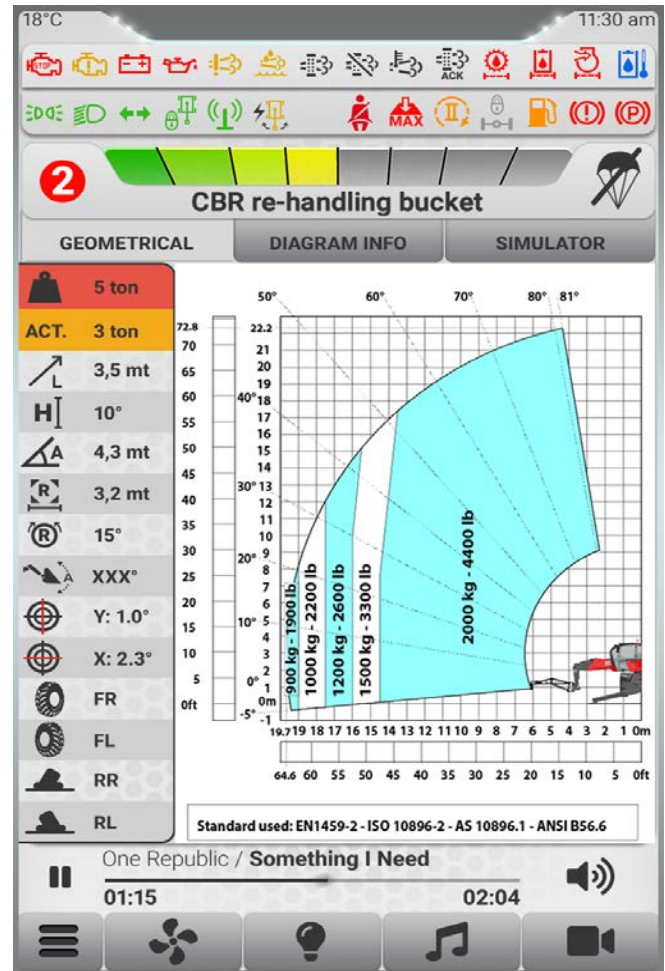


Figure 86: "GEOMETRICAL" tab

"DIAGRAM INFO" tab

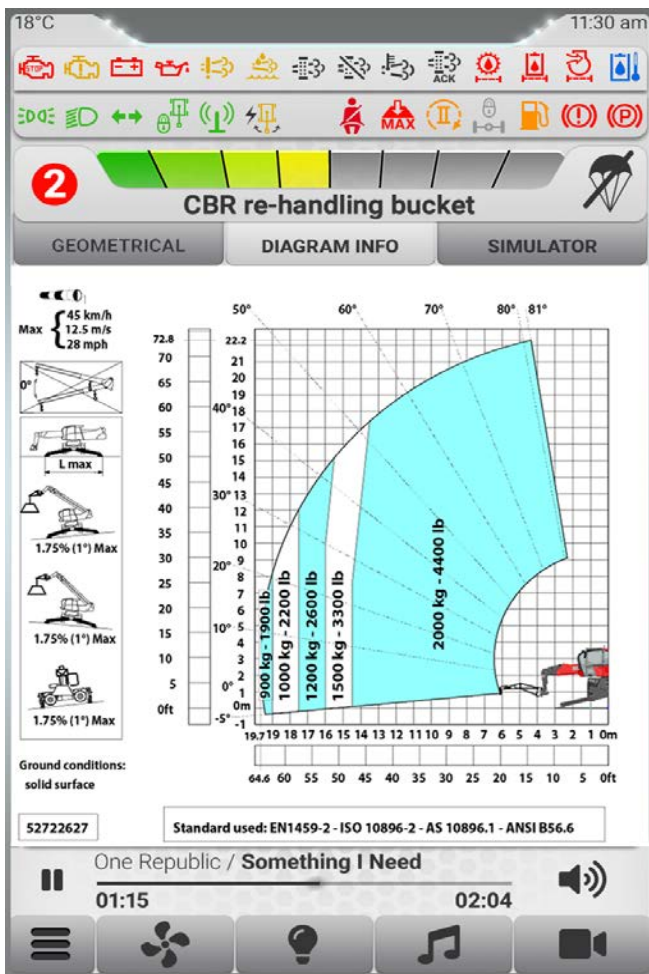


Figure 87: "DIAGRAM INFO" tab

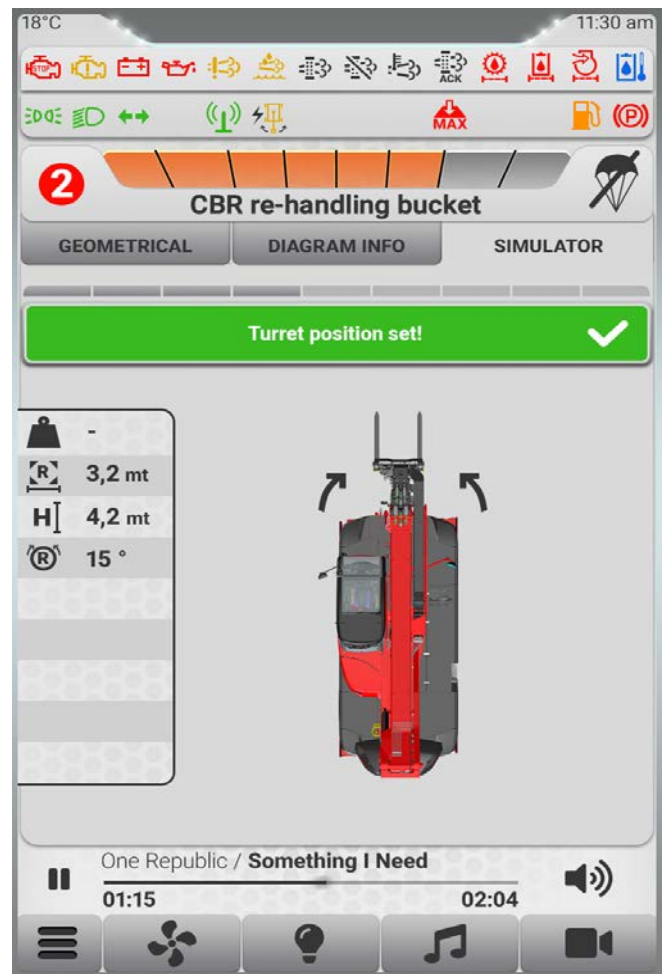


Figure 88: "SIMULATOR" tab

"SIMULATOR" tab

2.6.8 "STABILITY" PAGE

The "STABILITY" page displays the main information of the telehandler and the reading of the main working data regarding the stabilizers and the chassis.

On the page it is possible to manage the selection of stabilizers and automatic leveling.

The upper area displays the main information relating to the selection of the stabilizers, one by one or all or none, their position and their status.

This operation is linked to the control buttons on the right armrest of the driver's seat.

The position and status of each stabilizer are shown by the percentage of extension (%) and by the status (on tire or on the ground).

Displayed at the bottom is the main information relating to the chassis.

The information displayed relates to the tilt of the chassis and the request for the self-leveling control.

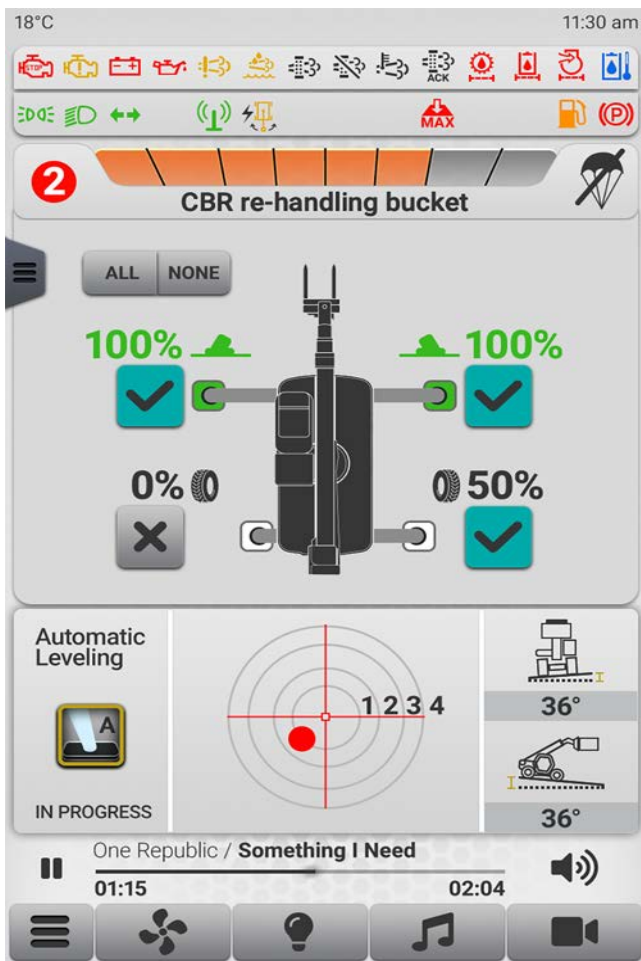


Figure 89: "STABILITY" page

2.6.9 "ADJUSTMENTS" PAGE

The "ADJUSTMENTS" page displays the main information regarding the geometric limits and the slowed speed of the hydraulic movements and for this it is necessary to select two tabs, one at a time, from the tab bar at the top of the screen.

Tab overview:

- LIMIT (LIMITS): displays and allows for setting geometric limits parameters. This feature allows you to set an operational limit in a work area.
- SLOWING DOWN: displays and allows you to set the maximum speed parameters of the hydraulic movements.

"LIMIT" tab:

- "Corridor" workspace.
- "Wall" workspace.
- "Roof" workspace.

The top displays the geometric limit set.

The bottom allows you to modify and enable / disable the feature.

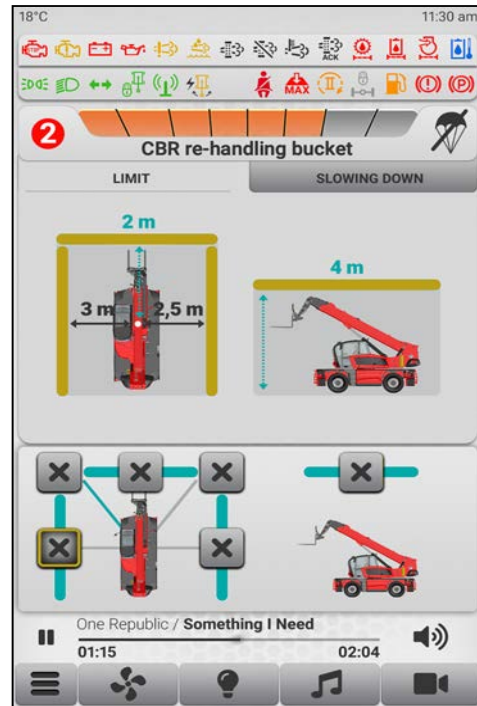


Figure 90: "LIMIT" tab

"SLOWING DOWN" tab:

- Maximum speed of ascent of the telescopic boom.
- Maximum speed of descent of the telescopic boom.
- Maximum extension speed of the telescopic boom.
- Maximum retraction speed of the telescopic boom.
- Maximum tilt-up speed of loads.
- Maximum tilt-down speed of loads.
- Maximum hourly rotation speed of rotating turret.
- Maximum counterclockwise rotation speed of the rotating turret.
- Maximum speed of control of the movements of the attachment: up, clockwise rotation, to the right, tilt up (depending on the attachment installed).
- Maximum speed of control of the movements of the attachment: descent, anticlockwise rotation, to the left, tilt down (depending on the attachment installed).

The maximum control speed of the hydraulic movements is expressed as a percentage: from 100% to 0%.

It is possible to set and save two working systems. Furthermore, it is possible to set the maximum control speed of the hydraulic movements by briefly pressing the "MAX" button.

2.

TECHNICAL DATA AND DESCRIPTION



Figure 91: "SLOWING DOWN" tab

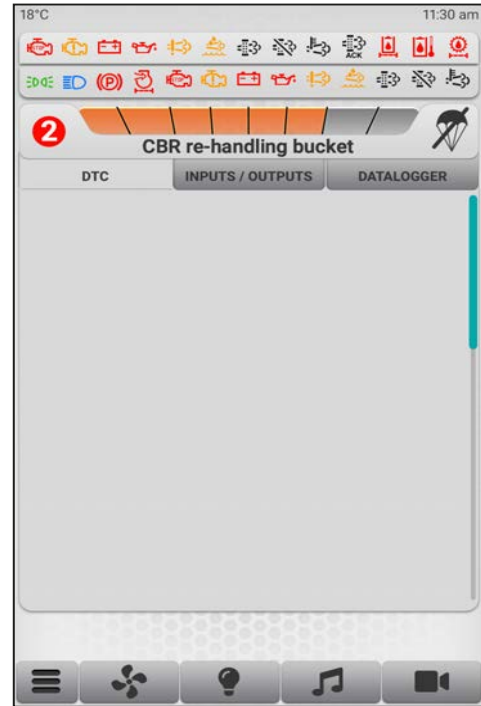


Figure 92: DTC tab

2.6.10 "DIAGNOSTICS" PAGE

The "DIAGNOSTICS" page displays the main information relating to the active errors of the telehandler, with control unit, DTC code and occurrences.

You need to select three tabs, one at a time, from the tab bar at the top of the screen.

You can press on the error line to view its description, a pop-up window will open.

Tab overview:

- DTC (information about engine errors).
- INPUT / OUTPUTS.
- DATALOGGER (information about the CODE, date and transition).

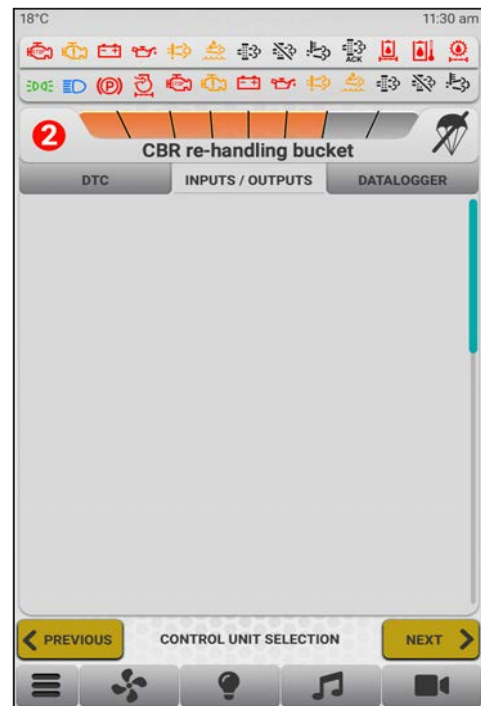


Figure 93: INPUT / OUTPUTS tab



Figure 94: DATALOGGER tab

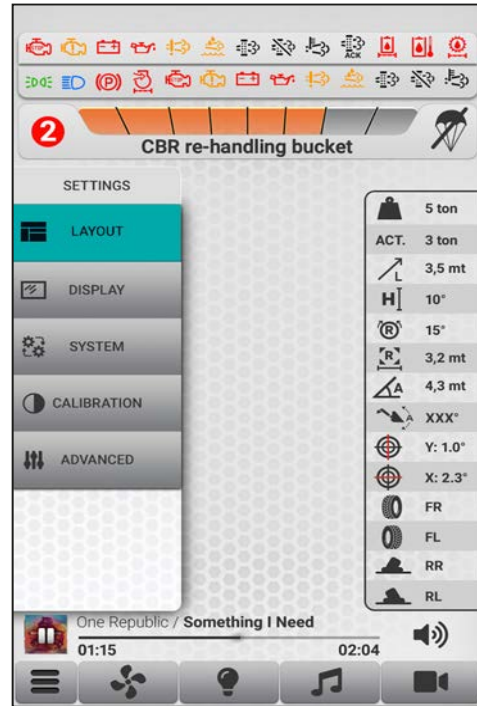


Figure 95: "SETTINGS" page

2.6.11 "SETTINGS" PAGE

The "SETTINGS" page displays the main information set by the factory or by the operator relating to the "HMI" display.

The "SETTINGS" menu information is visible on the left side of the screen and is highlighted when selected.

The operator can display and change three settings.

Table 82. "SETTINGS" menu overview

Menu	1st submenu	2nd submenu
LAYOUT	Graphics	Day / Night / Auto
	Color	Blue / Yellow
	Unit of measure	Metric / Imperial
	Temperature	Celsius / Fahrenheit
DISPLAY	Brightness	0-100%
SYSTEM	Language	IT, EN, FR, etc.
	Clock	Top right value
	Partial hours reset	
	Attachments list	

2.

TECHNICAL DATA AND DESCRIPTION

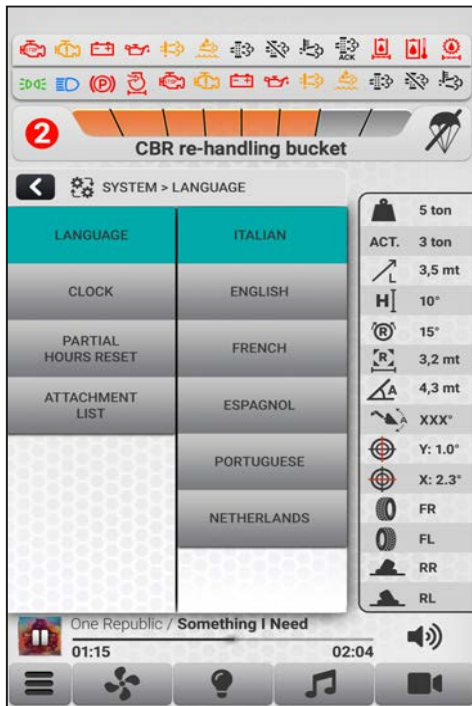


Figure 96: Example of "SYSTEM" submenu



Figure 97: Example of "Night" graphic screen



Figure 98: Example of "Yellow" color screen

2.6.12 "RESOURCES" PAGE

The "RESOURCES" page (ADDITIONAL RESOURCES) displays the main information relating to the documentation useful to the operator.

RESOURCES menu overview:

- DOCUMENTS
- VIDEOS
- TUTORIAL DISPLAY
- USER MANUAL



Figure 99: "RESOURCES" page

2.6.13 "INFORMATION" PAGE

The "INFORMATION" page displays the main information regarding the software version, the version of the load charts and the attachments list.

you need to select two tabs, one at a time, from the tab bar at the top of the screen.

INFORMATION tabs overview:

- VEHICLE INFO
- ATTACHMENTS (ATTACHMENT INFORMATION)

"VEHICLE INFO" tab, displays information about the software version:

- Load charts.
- LMI version.
- Main version.
- HMI version.
- Aux version.
- Aux 2 version.



Figure 100: "VEHICLE INFO" tab

"ATTACHMENTS" tab, displays the information relating to the list of attachments available in the flashing load table:

- Index
- Attachment name
- Acronym

2.

TECHNICAL DATA AND DESCRIPTION

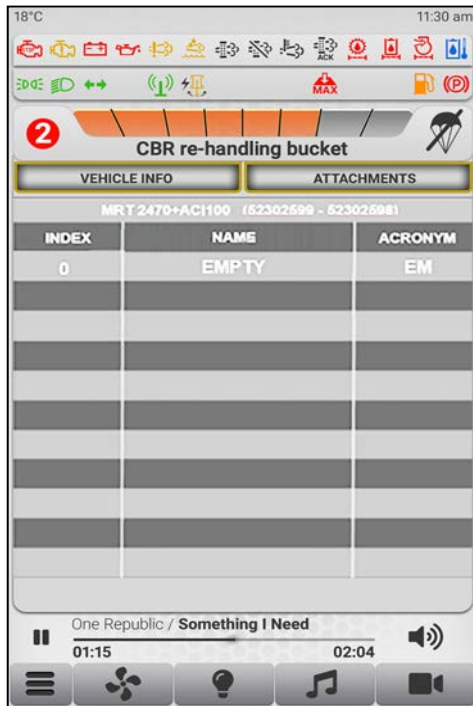



Figure 101: "ATTACHMENTS" tab

2.7. CHECK INDICATORS

2.7.1 JOYSTICK

The telehandler is equipped with two proportional electro-hydraulic capacitive joysticks, one to the right (1) of the operator and one to the left (2) both on the seat armrests to ensure better control and comfort.

 *The joysticks only work when grasped and with the cabin door closed or the cabin door open and the seat belt fastened.*

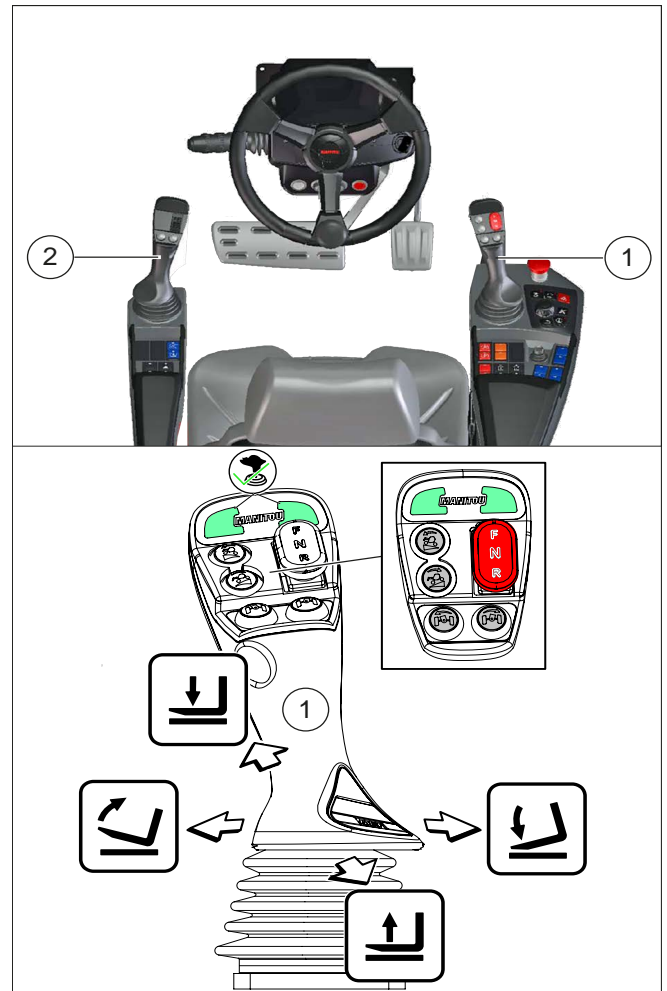


Figure 102: Right joystick

Joystick (1)

It can simultaneously carry out two double effect movements: lifting the load and tilting the forks.

To enable and perform the movements, hold the joystick.



To lift the load, pull the lever back.

To lower the load, push the lever forward.

To tilt the fork down, push the lever to the right.

To tilt the fork up, push the lever to the left.

Table 83. Selector overview

	<p>Vertical buttons: Machine leveling forward and backward (depending on machine model).</p>
	<p>Horizontal buttons: Lateral machine leveling to the left and right.</p>

	Green LEDs lit on joystick, hydraulic movements enabled.
	Direction selector: Forward / Neutral / Reverse.

Joystick (2)

It can carry out three double effect movements simultaneously:

- Extension of the telescopic boom.
- Rotation of the turret.
- Control of the attachment.

To enable and perform the movements, grab the joystick.

To extend the telescopic boom, push the lever forward.

To retract the boom, pull the lever back.

To rotate the turret clockwise, push the lever to the right.

To rotate the turret counterclockwise, push the lever to the left.

To control the movements of the attachment, rotate the roller on the lever (2).

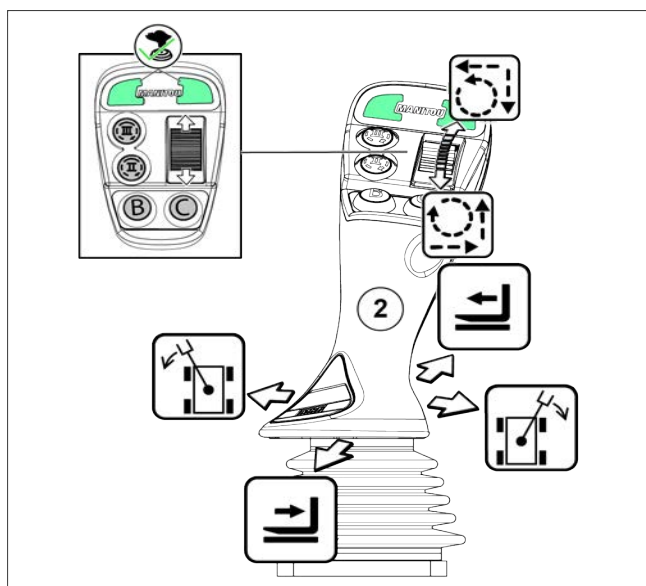


Figure 103: Left joystick

Table 84. Selector overview

	Vertical buttons: 2nd and 3rd hydraulic output at the boom head to select several movements of an attachment (optional).
	Horizontal buttons: these select multiple movements of a platform (if available).
	Green LEDs lit on joystick, hydraulic movements enabled.

2.7.2 BUTTONS AND CONTROLS

BUTTON FEATURES

- Red button: safety.
- Orange button: Transmission / engine.
- Blue button: hydraulic system.
- Black button: other.













BUTTON DIAGNOSTICS













- If all buttons are off, there is a power supply problem, contact your dealer.
- If all buttons are flashing simultaneously, there is a connection problem, contact your dealer.

2.

TECHNICAL DATA AND DESCRIPTION

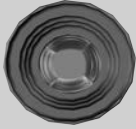
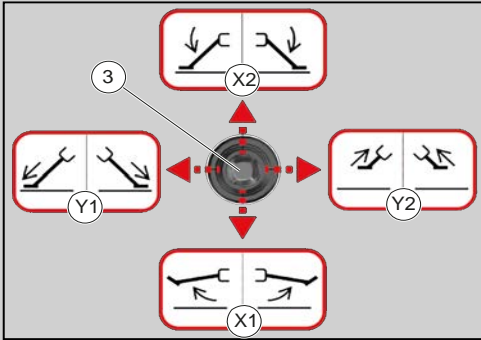






Table 85. *BUTTONS OVERVIEW*










Right armrest	
	Navigation and confirmation knob
	Preferences menu
	Information menu
	Back
	Exclusion of hydraulic movements
	Beacon
	Hazard warning lights
	Automatic parking brake "manual mode"
	Automatic parking brake
	Travel safety system reset
	Emergency pump (only with platform)
	Opposite direction front and rear wheel drive (small turning radius)

Right armrest	
	Front wheel drive (driving on road)
	Front wheel drive and rear wheel drive angle block
	Front and rear wheel drive in the same direction (lateral movement)
	Left front and rear stabilizer selectors
	Right front and rear stabilizer selectors
	Automatic vehicle stabilization selector
	Automatic vehicle destabilization selector
	"Emergency stop" button
	Magnetic retarder to increase vehicle speed deceleration force (optional)
	Magnetic retarder to decrease vehicle speed deceleration force (optional)
	Low / high gear selector
	Automatic gear change

2.

TECHNICAL DATA AND DESCRIPTION

Right armrest	
	Stabilizer control joystick
<p>The movement of the stabilizers is possible through the small joystick (3) located on the right armrest. Move the Joystick:</p> <ul style="list-style-type: none"> • back to raise the stabilizers (X1) • forward to lower the stabilizers (X2) • to the left to extend the stabilizers (Y1) • to the right to retract the stabilizers (Y2) 	
	
Left armrest	
	Boom suspension (optional)
	Forced boom suspension (optional)
	Upward suspension (depending on machine model)
	Upward suspension (depending on machine model)
	Disabling the forks tilt control
	Disabling the attachment control

Left armrest	
	Hydraulic block of the attachment
	Flow limiter of the attachment circuit for continuous hydraulic movement of the attachment
	Seat tilt forward (optional)
	Seat tilt back (optional)
Steering column	
	Button for enabling radio control
	Safety system exclusion key
	Control selector from cabin or from platform
	Red button for recovering the cab controls from the platform in the event of a stop
Canopy (right side)	
	Electric adjustment of the right door mirror (telescopic boom side)

2.7.3 SAFETY SYSTEM EXCLUSION KEY

The telehandler is equipped with an electronic safety system (MSS) which controls machine overload during work.

The system intervenes automatically by blocking the movements of the telescopic boom.

⚠ DANGER

Risk of vehicle overturning

With the MSS safety system off, the operator and telehandler are exposed to overload and / or tipping over of the vehicle.

Manually switch off the MSS only in exceptional cases and for safety reasons.

Key selector

To disable the MSS safety system, the operator must turn a key switch (1) in the cabin.

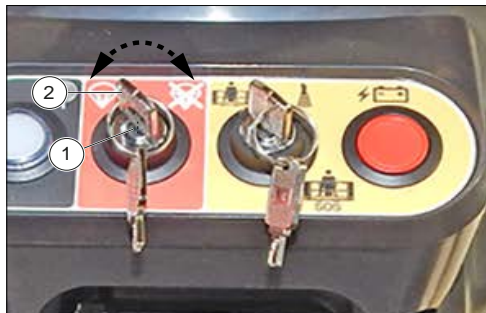




Figure 104: Key selector

The key (2) is stored inside a safety box (3) located behind the driver's cabin.




Figure 105: Safety box

The key selector (1) has two positions:

- Security system enabled 
- Security system disabled 

When in service, the key selector (1) (2) is turned to

position : MSS safety system enabled.

2.7.4 STANDARD RADIO CONTROL FOR ATTACHMENT HANDLING

The radio control consists of:

1. Transmitter (push button panel) (1).
2. Receiver (2).



Figure 106: Radio control

3. Battery charger (3) and battery (3a).
4. Transmitter unit support (4) positioned in the cabin, behind the operator's seat.
 - Release the safety block (4b) to raise the boom (4a) that holds the transmitter unit (1) on the support (4).

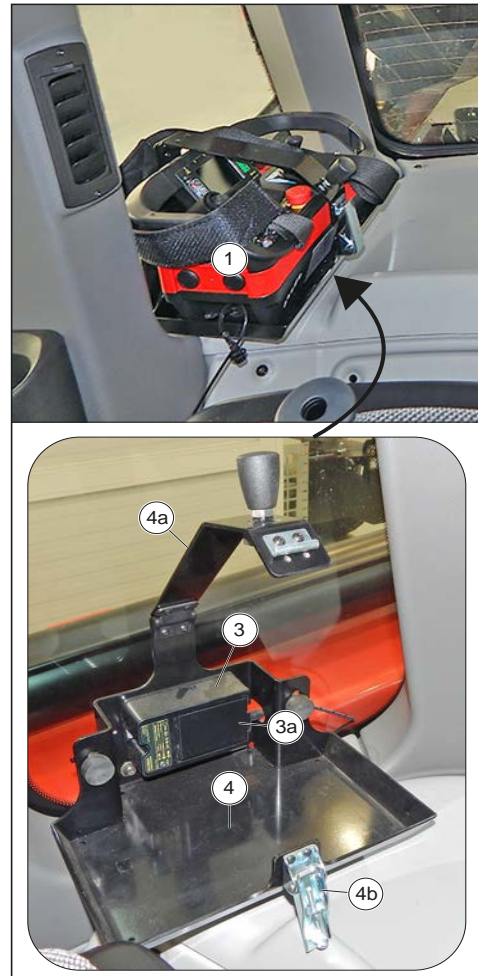


Figure 107: Transmitter unit and support

Radio control identification

The serial number (SN) is the only reference that must be used to uniquely identify the radio control both in case of maintenance interventions and in case of declarations to concerned bodies.

The serial number (SN) and other information relating to the radio control are found on some plates both in the transmitter and in the receiver.

These plates must not be:

- Removed from their position (removal entails the immediate forfeiture of the warranty).
- Altered or damaged (contact MANITOU for replacement).

Transmitter unit plates

There are three plates in the transmitter unit:

1. Identification plate of the radio control.
Information contained: the serial number of the radio control (SN), a QR code and the year of manufacture.
2. Transmitter unit identification plate.



2.

TECHNICAL DATA AND DESCRIPTION

Information contained: the year of manufacture, a QR code and the identification number of the transmitter unit (TU ID).

3. Technical data plate.
Information contained: The Model, the Type and the main technical data of the transmitter unit, the marking and any trademarks of the radio control.

Receiver unit plates

There are two plates on the receiver unit:

1. Receiver unit identification plate.
Information contained: The serial number (SN) of the radio control, a QR code and the year of manufacture.
2. Technical data plate.
Information contained: The Model, the Type and the main technical data of the receiver unit, the marking and any trademarks of the radio control.

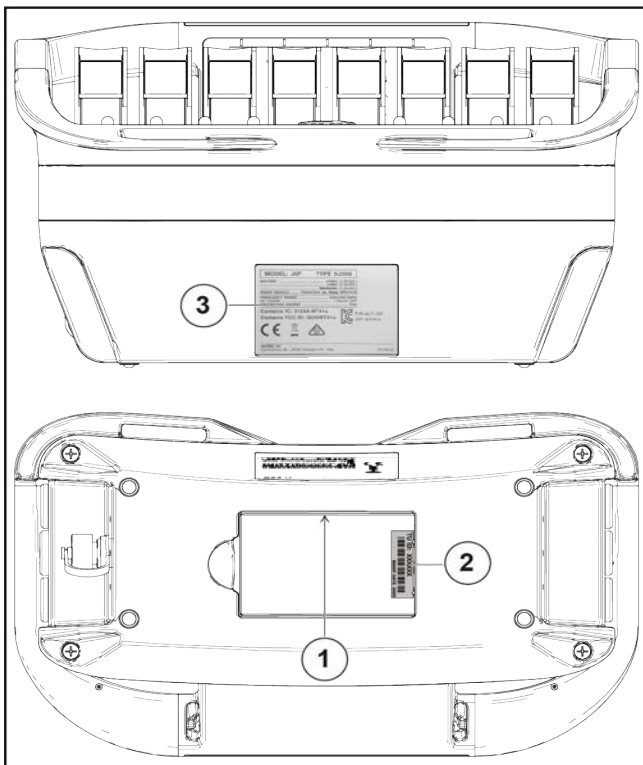


Figure 108: Transmitter unit plates

Receiver unit plates

There are two plates on the receiver unit:

1. Receiver unit identification plate.
Information contained: The serial number (SN) of the radio control, a QR code and the year of manufacture.
2. Technical data plate.
Information contained: The Model, the Type and the main technical data of the receiver unit, the marking and any trademarks of the radio control.

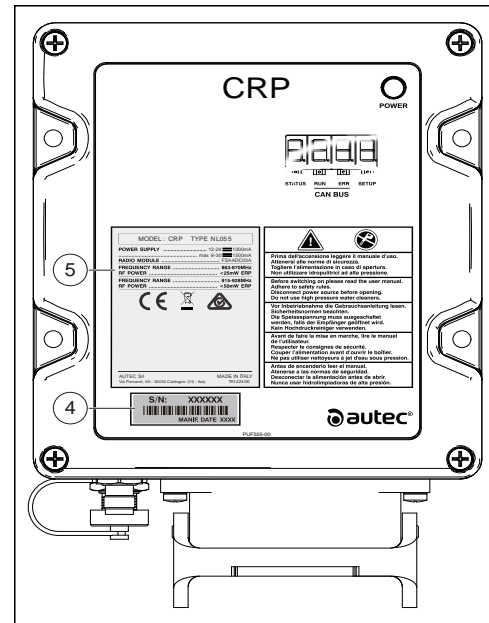


Figure 109: Receiver unit plates

Transmitter unit push-button panel

1. Button to confirm the recognition of the attachment on the display.
2. Engine and horn start consent.
Sound the horn when the radio control is started.
3. M-KEY: The M-Key allows for powering the transmitter unit.
Push the M-Key all the way into its housing.
4. Emergency electric pump button for platform rescue:
 - To retract the telescopic boom: keep the button pressed to activate the rescue pump.
 - Perform only the maneuvers strictly necessary to return to the ground.
5. Engine start button:
 - Before switching on, the red EMERGENCY STOP button must be turned off.
 - Press the button (2) then press the button (5) to start the engine.
6. Wired control connector.
Maneuvering consent from the platform.
7. Scroll display pages.
8. Display illumination.
9. Not used.
10. Telescopic boom lights switch.
11. Attachment display and scroll page.
12. 2.8" color display that displays machine work and stability information, engine warnings, attachment in use.

13. Right joystick:

- Boom lifting / lowering.
- Forward / backward tilting of the load (selected TILT).
- AUX attachment control (selected AUX).

14. Left joystick:

- Telescopic boom extension / retraction.
- Turret rotation.

15. Attachment motion selector.

16. Attachment motion selector - 12V in the boom head.

17. Attachment motion selector.

18. Load tilt or platform leveling consent.

19. "EMERGENCY STOP" red button.

If pressed, it allows you to stop the heat engine. In case of danger, it allows the user to stop hydraulic movements.

To resume hydraulic movements, turn the red button clockwise.

20. Engine speed management switch (RPM).

21. Speed selector for hydraulic movements.

22. AUX (attachment) or TILT (load / basket tilt) movement selector switch.

23. Multiple movements of the attachment: "I / II" and "Hydraulic attachment blocking".



Figure 110: Transmitter unit push-button panel

2.8. OPTIONAL

2.8.1 AIR CONDITIONING



The air conditioning works only when the telehandler motor is running. When the air conditioner is on, always work with the cabin closed. During the winter: ensure correct operation and the effectiveness of the air conditioning system. Activate the compressor once a week, even if for a short time, to ensure the lubrication of the internal seals. In cold climates: warm up the engine before starting the compressor to allow the liquid refrigerant, accumulated in the lower part of the compressor circuit, to turn into gas thanks to the action of the heat emitted by the engine. Liquid refrigerant can damage the compressor. Do not try to repair any faults. If the air conditioner is not working properly, contact an authorized dealer.

The specific controls of the Air Conditioning system are available on the HEATING and AIR CONDITIONING page together with the ventilation and heating controls.

To access the HEATING and AIR CONDITIONING




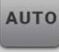
page, briefly press the touch button  on the button bar, at the bottom of the HMI Display.



Figure 111: Air conditioning

Table 86. AC specific commands overview:

	Max windshield defrost (33° C - 91.4° F and steady speed).
	Air conditioning ON / OFF.
	Automatic control.

On the HEATING and AIR CONDITIONING control panel, briefly press the touch buttons to enable or disable all features.

2.8.2 BOOM SUSPENSION

The boom suspension allows for absorbing the shocks of the forklift truck on uneven terrain (example: moving straw in a field).

Activation

There are two types of activation:

1. AUTO key (1), activation above 5 km / h / 3.1 mph.

2. FORCED key (2), standard activation requested by the operator.

On keys (1) and (2) a LED lights up (1a) and (2a) to indicate that the feature is enabled.

Operation

- Rest the forks or attachment on the ground and raise the front wheels just a few centimeters.
- Press key (1) or (2), the LED (1a) or (2a) lights up to indicate that the boom suspension is enabled.
- Press key (1) or (2) again, so that the LED (1a) or (2a) switches off to indicate that the boom suspension is disabled.



Boom suspension is enabled up to a lifting height of 3 m / 9.8 ft from the pivot axis of the plate to the ground with boom retracted.

Boom suspension is disabled:

- Operating over 3 m / 9.8 ft in height or carrying out another hydraulic movement (tilt, extension, descent, attachment),
- Operating with an articulated platform.

If the boom suspension is temporarily disabled, the LED (1a) or (2a) of the key goes out.

When the heat engine is off, the boom suspension is automatically disabled.

The device operates two pins (X, Y) which move horizontally on the quick coupling, outwards (blocking the attachment) and inwards (unblocking the attachment).



To block the attachment, the two blocking pins must protrude completely from the quick coupling holes.

Description of controls

To select the “hydraulic attachment block” device, the operator must keep pressing on the button on the control console (1).

On the button (1) the LED lights up (2) to indicate that the feature is active.

The operator can operate the two pins (X, Y) by holding down the button (1) and pressing the optional control rocker button (4) on the left joystick (3):

- downwards, the two pins come out and block the attachment;
- upwards, the two pins retract and release the attachment.

Releasing the button (1), the operator deactivates the hydraulic attachment blocking device and restores the standard controls of the option.



Figure 112: Boom suspension

2.8.3 HYDRAULIC BLOCK OF THE ATTACHMENT

Precautions to be taken if the machine is supplied with “hydraulic block of the attachment” device.

This electrically controlled hydraulic movement device allows you to block or unblock an attachment from the operator's seat.

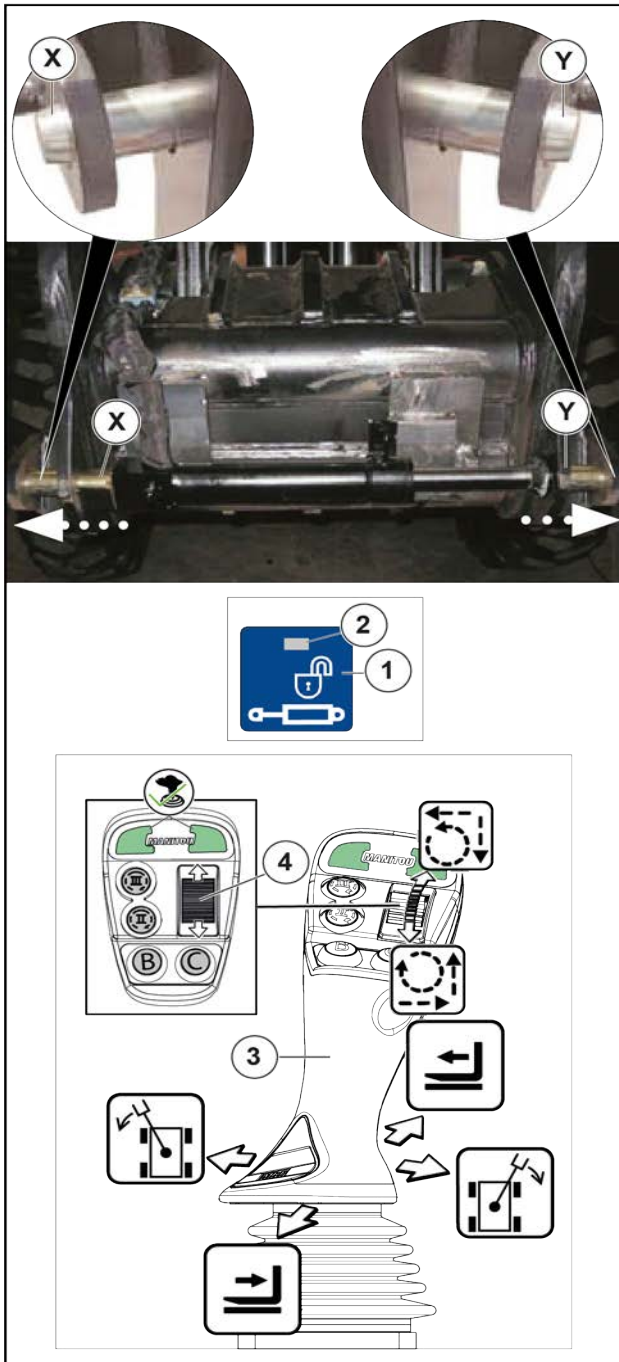


Figure 113: Hydraulic block and description of attachment controls

2.8.4 FRONT AND SIDE CAMERA SYSTEM

The machine is equipped with an optional video system which consists of two video cameras (1A-2A) and a 7" LCD monitor (3) inside the cabin.

The two cameras are installed on the machine on the sides:

1. Front (boom head) (1A).

2. Side (engine part, near the rear-view mirrors) (2A).



Figure 114: Front and side camera system

2.8.5 RADIO CONTROL FOR ATTACHMENT MOVEMENT AND TELESCOPIC HANDLER MOVEMENT

The Radio Control object is composed of:

1. Transmitter (push button panel).
2. Receiver.



Figure 115: Radio control

3. Battery charger (3) and battery (3a).
4. Transmitter unit support (4) positioned in the cabin, behind the operator's seat.
 - Release the safety block (4b) to raise the boom (4a) that holds the transmitter unit (1) on the support (4).

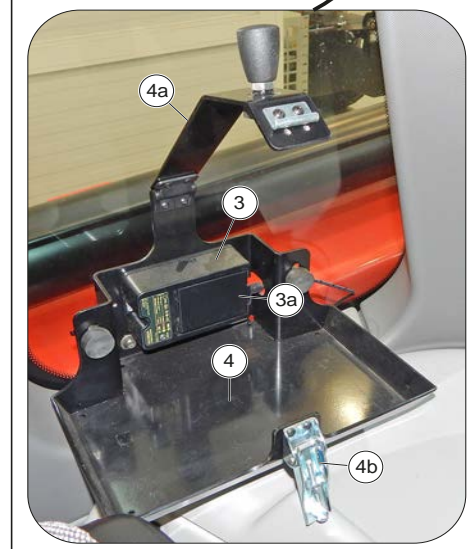


Figure 116: Transmitter unit and support

Radio control identification

The serial number (SN) is the only reference that must be used to uniquely identify the radio control both in case of maintenance interventions and in case of declarations to concerned bodies.

The serial number (SN) and other information relating to the radio control are found on some plates both in the transmitter and in the receiver.

These plates must not be:

- Removed from their position (removal entails the immediate forfeiture of the warranty).
- Altered or damaged (contact MANITOU for replacement).

Transmitter unit plates

There are three plates in the transmitter unit:

1. Identification plate of the radio control.
Information contained: the serial number of the radio control (SN), a QR code and the year of manufacture.
2. Transmitter unit identification plate.

2.

TECHNICAL DATA AND DESCRIPTION

Information contained: the year of manufacture, a QR code and the identification number of the transmitter unit (TU ID).

3. Technical data plate.
Information contained: The Model, the Type and the main technical data of the transmitter unit, the marking and any trademarks of the radio control.

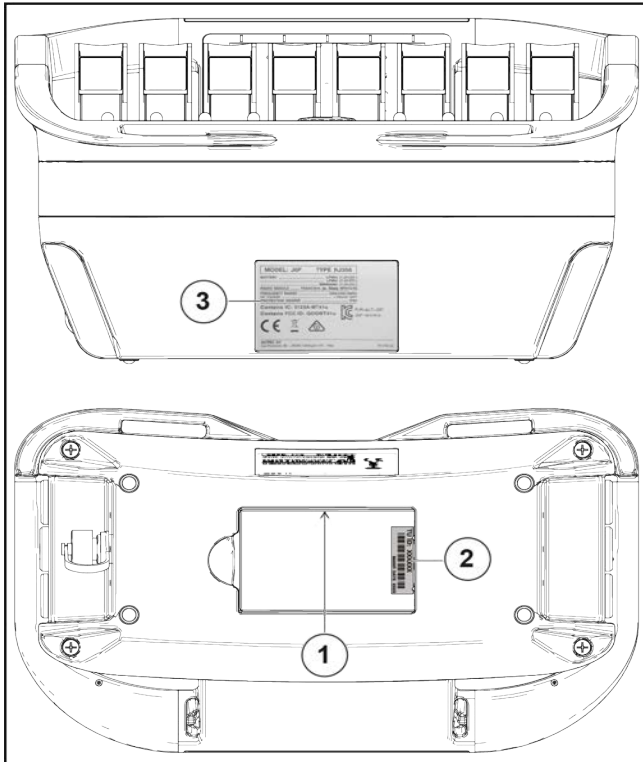


Figure 117: Transmitter unit plates

Receiver unit plates

There are two plates on the receiver unit:

1. Receiver unit identification plate.
Information contained: The serial number (SN) of the radio control, a QR code and the year of manufacture.
2. Technical data plate.
Information contained: The Model, the Type and the main technical data of the receiver unit, the marking and any trademarks of the radio control.

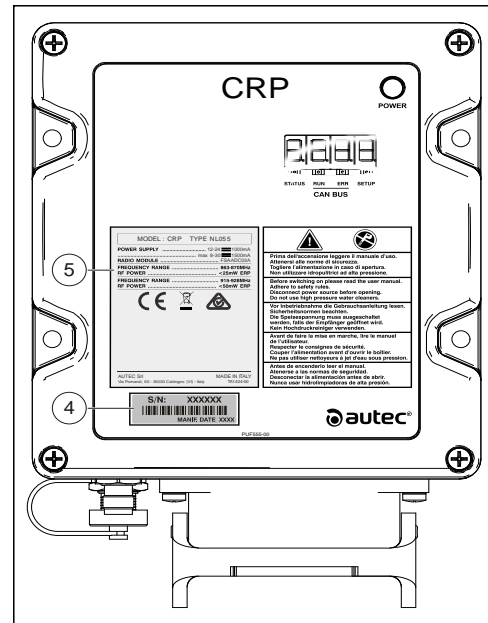


Figure 118: Receiver unit plates

Transmitter unit push-button panel

1. Button to confirm the recognition of the attachment on the display.
2. Engine and horn start consent.
Sound the horn when the radio control is started.
3. M-KEY: The M-Key allows for powering the transmitter unit.
Push the M-Key all the way into its housing.
4. Emergency electric pump button for platform rescue:
 - To retract the telescopic boom: keep the button pressed to activate the rescue pump.
 - Perform only the maneuvers strictly necessary to return to the ground.
5. Engine start button:
 - Before switching on, the red EMERGENCY STOP button must be turned off.
 - Press the button (2) then press the button (5) to start the engine.
6. Wired control connector.
Maneuvering consent from the platform.
7. Scroll display pages.
8. Display illumination.
9. Not used.
10. Telescopic boom lights switch.
11. Attachment display and scroll page.
12. 4.3 "color display that displays machine work and stability information, engine warnings, attachment in use.

13. Right joystick:

- Boom lifting / lowering.
- Forward / backward tilting of the load (selected TILT).
- AUX attachment control (selected AUX).

14. Left joystick (basket or machine features):

- telescopic boom extension / retraction.
- turret rotation.

15. Stabilizer movements activation switch.

16. Stabilizer movements switch.

17. Steering mode selection switch.

18. Load tilt or platform leveling consent.

19. "EMERGENCY STOP" red button. If pressed, it allows you to stop the heat engine. In case of danger, it allows the user to stop hydraulic

movements. To resume hydraulic movements, turn the red button clockwise.

20. Engine speed management switch (RPM).

21. Speed selector for hydraulic movements.

22. AUX (attachment) or TILT (load / basket tilt) movement selector switch.

23. Multiple movements of the attachment: "I / II" and "Hydraulic attachment blocking".

24. Central joystick (driving features):

- travel forward / reverse direction
- steering left / right

25. Stabilizer selector.

26. Driving function consent button.

27. Automatic leveling button for stabilizers.

28. Programming connector (not used).



Figure 119: Transmitter unit push-button panel

2.8.6 PREPARING BI-ENERGY UNIT

Hydraulic couplings (1) and electrical sockets (2) prepared for the installation of the “BI-ENERGY” Electrohydraulic Unit.

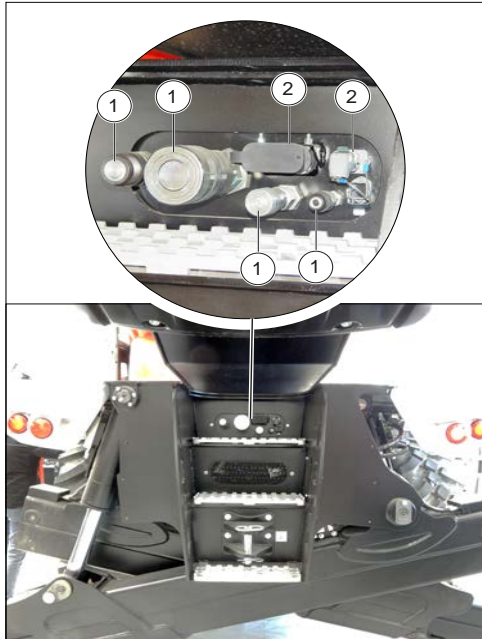


Figure 120: Preparing Bi-Energy unit

3. USE OF THE MACHINE

3.1. BEFORE USING THE MACHINE

3.1.1 PRE-USE INSPECTION CHECKLIST

BEFORE STARTING THE TELESCOPIC HANDLER

- Carry out daily maintenance.
- Make sure the driver's cab is clean, especially the floor and mat.
- Check that no moving objects disturb the control of the telehandler.
- Check whether the lights, headlights and windshield wipers are working properly and their condition.
- Check if the rear view mirrors are in good condition and adjusted properly.
- Check the effectiveness of the acoustic signal.

CORRECT POSITION IN THE DRIVER'S SEAT

- No matter how much experience he has, the driver should familiarize himself with the position and use of all control and command tools before putting the telehandler into service.
- Wear clothes suitable for driving the telehandler, avoid fluttering clothes.
- Take protective equipment suitable for the work to be done.
- Prolonged exposure to a loud noise can cause hearing loss. To protect yourself from annoying noises, the use of hearing protection is recommended.
- Always get in and out of the vehicle with access to the driver's cab in front of you and use the handles provided. Do not jump off the telehandler to get off.
- Always be careful when using the telehandler, do not listen to the radio or music with earphones or headphones.
- Never drive with wet or greasy hands or shoes.
- For optimal comfort, adjust the seat to your liking and get in the right position in the driver's cab.

⚠ DANGER

Under no circumstances should seat adjustments be made while the telehandler is in motion.

- The driver must always remain in his normal position in the driver's cab: he is forbidden to stretch his arms, legs and in general any part of his body outside the driver's cab of the telehandler.
- Use of the seat belt is mandatory and it must be adjusted to the height of the driver.
- The control elements must never be used improperly (example: as a support to get on or off the telescopic handler, as a clothes hanger, etc.).
- If the control elements are equipped with a forced march device (lever block), it is forbidden to leave the driver's cab without positioning the controls on "neutral".
- It is forbidden to carry passengers in the telehandler or in the driver's cab.

VISIBILITY

- The safety of the people in the maneuvering area of the forklift truck, of the forklift truck itself and of the operator, depend on the operator's ability to see the working area of the forklift truck in any circumstance and constantly.
- This forklift truck has been designed to allow the operator to always have good visibility (direct or indirect via rear-view mirrors) of the work area when traveling with the truck unladen and the boom in the transport position.
- If the volume of the load restricts visibility in front, special precautions must be taken:
 - Reverse to destination.
 - Tidy up the site.
 - Help from a someone (positioned outside the forklift truck's range of operation) to direct the maneuver, ensuring that you can always clearly see this person.
 - In any case, avoid reversing for too long.
- With some special attachments, it may be necessary to keep the boom in the raised position to move the forklift truck. In this case, the visibility from the right side is limited and special precautions must be taken:
 - Tidy up the site.
 - Help from a someone (positioned outside the forklift truck's range of action) to direct the maneuver.
- Replacement of a hanging load with a pallet load.
- In all cases where the visibility of the route is insufficient, get help from someone (positioned outside the forklift truck's range of operation) to

3.

USE OF THE MACHINE

direct the maneuver, making sure that you can always clearly see this person. Keep all elements to improve visibility in perfect working order, correctly adjusted and clean: windshields and windows, windshield wipers and washers, headlights and work lights, rear-view mirrors.

3.1.2 AREA AROUND THE TELEHANDLER

Carry out a general inspection around the telehandler:

- Leak or stain of liquid on the ground.
- Presence of foreign objects on the telehandler and in the cabin.
- Fixing and locking of the attachment.
- Fixing and adjusting the rear view mirrors.
- Tire condition to identify cuts, bumps, wear, etc.



Observe the instructions for the operator.

Forklift Cleaning

- Cleaning of the headlights and rear view mirrors.
- Excess dirt or accumulation of material (e.g. straw, flour, sawdust, organic waste, etc.).
- Every day and according to the conditions of use and the environment, the operator must ensure that the forklift is clean.
- The accumulation of flammable materials (e.g. straw, flour, sawdust, organic waste, etc.) and fuel or lubricant leaks must require special attention, as they greatly increase the risk of fire.
- A regular inspection of the entire telehandler, especially the engine compartment and the central part of the chassis, is necessary to establish the frequency of cleaning, in order to avoid potential accumulation or loss of material.

3.1.3 FILLING THE FUEL TANK

- Keep the fuel tank as full as possible to minimize condensation due to atmospheric conditions.



Danger of fire.

Never fill up with the engine running.

Do not smoke or approach with an open flame during filling operations or when the tank is open.

- If necessary, add diesel fuel.

- Remove the cap (1).
- Fill the tank with clean and filtered diesel fuel through the filling orifice.
- Put the cap back on.
- Look to make sure that there are no leaks on the tank or pipes.



A lockable tank cap is available as an option



Figure 121: Filling the fuel tank

3.1.4 FILLING THE "DEF" TANK

(diesel exhaust fluid (adblue)).



Danger of corrosive substances

The diesel exhaust fluid (adblue) is a corrosive product. Protect the bodywork and wear personal protective equipment (gloves and goggles). The level of the diesel exhaust fluid (adblue) is important, an operation with the tank empty or with little fluid can compromise the performance of the three-phase motor.

If necessary, add diesel exhaust fluid (adblue).

- Remove the cap (1).
- Slowly fill the tank to the bottom of the fill chute.
- Always maintain a good level to limit the alteration of the product.
- Put the cap back on.



Figure 122: Filling the "DEF" tank



A lockable tank cap is available as an option

"DEF" (diesel exhaust fluid (adblue)) quality

The quality of the diesel exhaust fluid (adblue) can be measured with the aid of a refractometer; the diesel exhaust fluid (adblue must comply with ISO 22241-1 with 32.5% urea solution. Refractometer (MANITOU reference: 959709)

"DEF" (diesel exhaust fluid (adblue)) storage

Up to 4 months of non-use of the forklift: check the quality of the diesel exhaust fluid (adblue) with the aid of a refractometer.

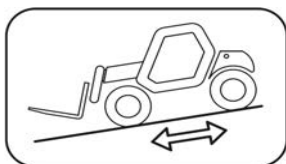
Beyond 4 months: change the diesel exhaust fluid (adblue). Empty and rinse the tank.

3.1.5 WORK AREA INSPECTION

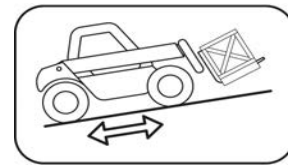
- Follow the site's safety rules.
- During handling operations, make sure that nothing or no one obstructs the maneuvering of the carriage and the load.
- Do not authorize anyone to approach the maneuvering area of the telehandler or to pass under the load.

Driving on a longitudinal slope:

- Advance and brake smoothly.
- Movement when unladen: forks or attachment facing downhill.



- Movement with load: forks or attachment facing uphill.



Consider the dimensions of the forklift and the load before engaging a narrow or low passage.

Never engage a loading gangway without having checked:

- That it is correctly positioned and locked.
- That the element to which it is connected (wagon, truck, etc.) cannot move.
- That it is foreseen for the total weight of the laden forklift truck.
- That the gangway is designed for the overall dimensions of the forklift.
- Never use a gangway, a platform or a freight elevator without being sure that they are correctly foreseen for the weight and dimensions of the laden forklift, and without having checked that they are in good condition.
- Pay the utmost attention to: loading docks, excavations, scaffolding, unstable ground, wells.
- Check the stability and hardness of the ground under the wheels and/or stabilizers before lifting the load or extending the boom with the load. If necessary, add a suitable wedge under the stabilizers.
- Verify that the scaffolding, loading platform, stack or ground can support the load.
- Never stack loads on uneven ground as they may tip over.

⚠ DANGER

Resting hazard

There is a risk of support if the load or the attachment remains on a structure for a long time due to the descent of the boom when the oil in the jacks cools.

Regularly check the distance between the load or attachment and the structure, readjust if necessary.

If possible, use the forklift with an oil temperature as close as possible to ambient temperature.

When working near overhead power lines, check that the safety distance between the forklift's working area and the power line is sufficient.

3.

USE OF THE MACHINE

⚠ DANGER

Electrocution hazard

There is a risk of electrocution or serious accident when working or parking the forklift too close to electrical wiring.

You need to inquire with your local electricity supply company.

In case of strong wind, do not proceed with handling: risk of compromising the stability of the forklift and the load, especially if this is exposed to strong wind.

Prevent the risk of fire associated with use in a dusty and flammable atmosphere (e.g. straw, flour, sawdust, organic waste, etc.).

3.2. ENTER THE CABIN

3.2.1 GETTING IN AND OUT OF THE VEHICLE

⚠ WARNING

The vehicle is equipped with three ladders (front, rear and right side) that allow access to the walkable surface above the vehicle's undercarriage. The ladders must only be used during maintenance operations and only to access the walkable surface.

It is not allowed to use the front, rear or right side ladder to get inside the vehicle cabin.

⚠ WARNING

To get in and out of the vehicle, use the access ladder located on the right side of the vehicle (fuel tank area).

The telehandler is equipped with access steps (1) and two handles (2) which are located inside the cabin to facilitate the operator's entry and exit from it.

Always get on and off with your face facing the telehandler.



Figure 123: Getting in and out of the vehicle

⚠ WARNING

To climb up it is necessary to use the steps and the specially installed handles.

A bad grip, a badly positioned foot, could involve the risk of falling, therefore: do not cling to the steering wheel or other controls.

3.3. TURNING THE MACHINE ON AND OFF

3.3.1 STARTING THE MACHINE

Starting the forklift truck

Safety rules

The forklift truck can only be started or maneuvered when the driver is in the driver's cab, with the seat belt fastened and adjusted.

- Do not tow or push the forklift truck to start it.

⚠ DANGER

Risk of serious transmission damage

This maneuver could cause serious damage to the transmission.

Put the gear in neutral position if you need to tow the forklift truck.

Recommendations

- Make sure that the gear lever is in neutral.
- Turn the ignition key to position I to allow electrical contact.
- Check the fuel level on the gauge.
- Turn the ignition key to position II to allow preheating and wait 15 seconds. (If required by environmental conditions).
- Do not activate the starter for more than 15 seconds, and allow it to preheat for 10 seconds between all attempts.
- Press the accelerator and turn the ignition key fully, the engine should start. Release the ignition key and let the engine run at low speed.
- Before operating in very cold climatic conditions, wait for the heat engine and hydraulic systems to warm up properly.
- Look at all control instruments immediately after starting, with the engine warm, and at regular

intervals during use, in order to quickly identify and resolve any faults.

- If any of the instruments indicates a fault, stop the engine and carry out the necessary operations right away.

3.3.2 TURNING OFF THE MACHINE

Stopping the forklift truck

Safety rules

- Before stopping the forklift truck after intensive work, let the heat engine idle for a few moments to allow the coolant and oil to lower the engine and transmission temperatures.

This precaution must be strictly observed in the case of frequent stops of the heat engine; otherwise the temperature of some parts would increase considerably.

- Never leave the ignition key in the forklift truck without the driver.
- When the forklift truck has stopped, rest the forks or attachment on the ground, place the shift lever in neutral, apply the parking brake and place the gear lever in neutral.
- If the driver has to leave the driver's cab, even temporarily, apply the parking brake and put the gear lever in neutral.
- Make sure the forklift truck is parked in such a way as not to hinder traffic and at least one meter away from railroad tracks.
- In case of prolonged parking, protect the forklift truck from the weather, particularly in the event of frost (Check the antifreeze level), close the rear window, lock the cabin door and the engine hood.

Recommendations for stopping

- Park the forklift truck on level ground or with a gradient of less than 15%.
- Place the gear lever in neutral.
- Apply the parking brake.
- Fully retract the boom.
- Rest the forks or attachment flat on the ground.
- Switch off the three-phase motor.
- Remove the ignition key.
- Check that the door is locked and that the rear window and engine cover are also closed.

Before leaving the driver's cab, make sure you have carried out all the forklift truck stopping operations correctly, to ensure your safety and the safety of others.



3.4. USE OF ATTACHMENTS

3.4.1 SAFETY RECOMMENDATIONS FOR ATTACHMENTS

INTRODUCTION

The manufacturer offers you a wide range of attachments (with warranty) for your telehandler that are perfectly adapted to it.

The attachments are delivered with a load chart for your telehandler. The recommendations booklet and the load chart must remain inside the telehandler. The use of attachments is described in the recommendations contained in this manual.

Some specific uses require the adaptation of an attachment not included in the options on the price list.

There are other solutions. For more information, contact your agent or dealer.



Only approved attachments and "CE" certified attachments by the manufacturer can be used on our telehandlers. The manufacturer shall not be held liable in the event of alteration or use of attachments without his knowledge.



MANITOU has ensured that this forklift truck can be used under normal conditions of use as specified in the instruction manual, with a static test coefficient of 1.33 and a dynamic test coefficient of 1, provided for in the harmonized standards EN 1459 for forklift trucks with variable capacity and EN 1726-1 for masted forklift trucks.

The use of interchangeable attachments not originally provided on the machine is prohibited. In the event of subsequent requests for implementation of machine features with other attachments, before commissioning, the user is obliged to ask an authorized MANITOU technician to perform a suitability check, who will verify the correct functioning and update the documentation necessary for use of the new attachment. Only after this check will a new "CE" certificate of conformity of the machine be issued, showing only the new attachments installed.

GENERAL ADVICE REGARDING USE OF THE FORKLIFT TRUCK

⚠ DANGER

Observe the data indicated on the load charts. In no case should you try to lift loads heavier than those allowed on the load charts attached to the machine.

⚠ DANGER

Carry the load in a low position and with the telescopic boom fully retracted.

⚠ DANGER

Drive the truck at a speed appropriate to the conditions of the terrain.

⚠ DANGER

When the forklift truck is unladen, travel with the telescopic boom lowered and fully retracted.

⚠ DANGER

Never go too fast or brake suddenly with a load.

⚠ DANGER

When the load is lifted, make sure that no one can interfere with operation and do not perform incorrect maneuvers.

⚠ DANGER

Do not attempt to perform operations that exceed the capabilities of the telehandler.

⚠ DANGER

Pay attention to electrical cables.

⚠ DANGER

Never leave the truck parked with a raised load.

⚠ DANGER

Do not authorize anyone to approach or pass under the load.

⚠ DANGER

Always think about safety and only carry well-balanced loads.

⚠ DANGER

Do not leave the truck loaded on an incline greater than 15% with the parking brake applied.

⚠ DANGER

The following attachments are not intended for systems for lifting or moving people.

⚠ DANGER

Remember to request a check-up every year from the USL in your area (only for Italy).

⚠ DANGER

It is forbidden to lift suspended loads with the fork attachment or other support not provided for this feature. Contact an authorized dealer, see crane attachments list.

⚠ DANGER

Non-conforming calibration of the safety system can be very dangerous. If in any doubt, contact an authorized dealer immediately.

⚠ DANGER

Risk of damage to the vehicle

Some attachments, taking into account their size, and with the boom lowered and retracted, risk interfering with the front tires and causing them to deteriorate if the equipment is tilted down.

To eliminate this risk, extend the telescopic boom long enough for the telescopic handler and attachment so that no interference occurs.

⚠ DANGER

The maximum loads are defined by the capacity of the telehandler, taking into account the weight and the center of gravity of the attachment. If the attachment has a lower capacity than the telehandler, never exceed this limit.

Before putting any type of attachment on the telehandler into service, make sure that the machine is compatible and that the safety system is calibrated for the attachment used.

3.4.2 COUPLING MANEUVER FOR ATTACHMENTS

Fitting attachment

- Make sure the attachment is in a position that makes it easy to hook the quick coupler. In case it is pointing in the wrong direction, take the necessary precautions to move it in extremely safe conditions.
- Check that the blocking pin is inserted into the holder on the chassis.
- Position the telehandler with the boom lowered, facing front and parallel to the attachment and tilt the quick coupler forward (1).
- Bring the quick coupler under the connecting pipe of the attachment, raise the boom slightly and tilt the coupler backwards to position the attachment (2).
- Take the attachment off the ground to facilitate blocking (3).

If the attachment is equipped with a hydraulic circuit



Carefully clean the quick couplings and protect unused orifices with the plugs provided for this purpose.

- After blocking the attachment (see Manual block or Hydraulic block of the attachment) it is necessary to:
 - Switch off the heat engine and maintain electrical contact on the telehandler.

3.

USE OF THE MACHINE

- Relieve the pressure of the attachment's hydraulic circuit by pressing the optional control button on the joystick 4 or 5 times.
- Connect the quick couplings, respecting the logic of the hydraulic movements of the attachment.

REFIT OF THE ATTACHMENT WITH MANUAL BLOCK

Manual blocking

Take the blocking pin (4) on the support and insert it into the hole in the quick coupling (4a) to block the attachment (3).

Do not forget to put in the split pin (5).

Manual release

Proceed in the reverse order to that of MANUAL BLOCKING and make sure you put the blocking pin back into the support on the chassis.

Removal (and installation) of the attachment

Proceed in the reverse order to that of FITTING ATTACHMENT, making sure you place it in a safe position on compact and flat ground. If the attachment is equipped with a hydraulic system, connect the quick couplings or, vice versa, disconnect them in case of attachment disassembly after decompressing the circuit.



Keep the quick couplings clean and protect unused orifices with the caps provided.

REFIT OF THE ATTACHMENT WITH HYDRAULIC BLOCK (optional)

Fitting attachment

- Make sure the attachment is in a position that makes it easy to hook the quick coupler. In case it is pointing in the wrong direction, take the necessary precautions to move it in extremely safe conditions.
- Check that the blocking pin is inserted into the holder on the chassis.
- Position the telehandler with the boom lowered, facing front and parallel to the attachment and tilt the quick coupler forward (1).
- Bring the quick coupler under the connecting pipe of the attachment, raise the boom slightly and tilt the coupler backwards to position the attachment (2).
- Take the attachment off the ground to facilitate blocking (3).
- Activate the optional control to block the attachment (see next chapter).

Hydraulic blocking and unblocking (optional)

The blocking and unblocking of any attachment takes place by means of two pins which protrude from the holes of the quick coupling (4).

Removal (and installation) of the attachment

Proceed in the reverse order to that of FITTING ATTACHMENT, making sure you place it in a safe position on compact and flat ground.

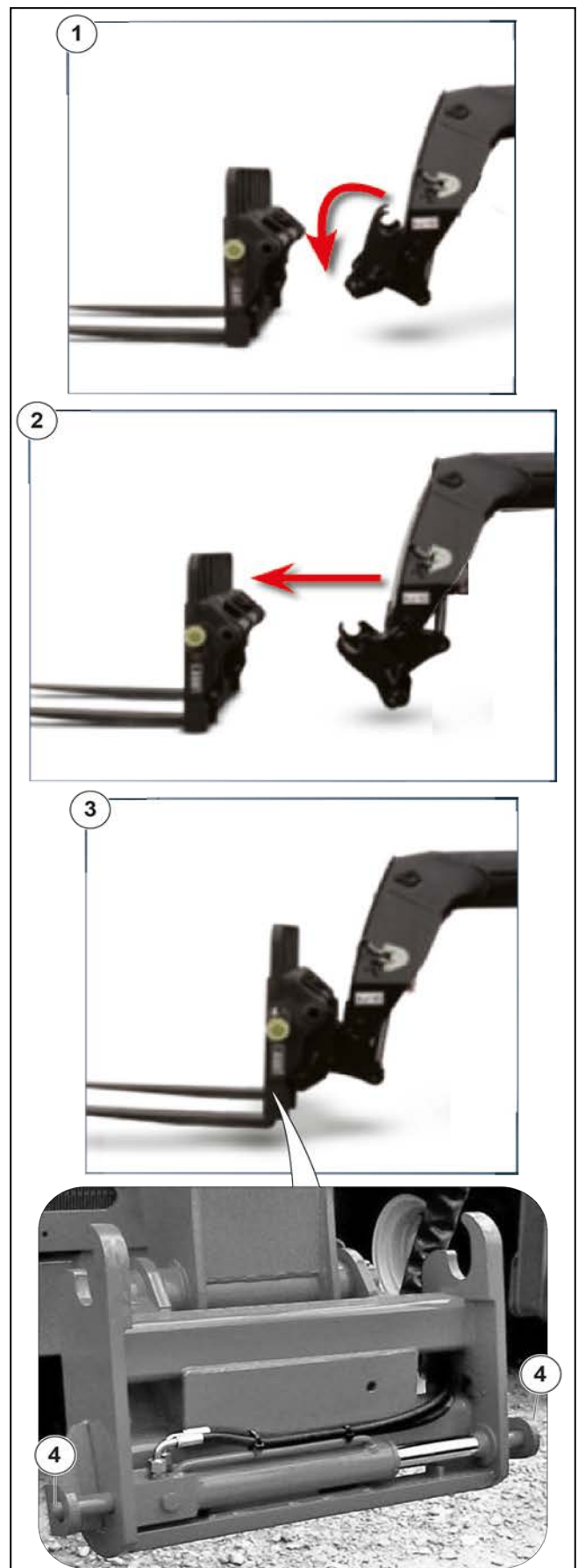


Figure 124: Refit of the attachment with hydraulic block (optional)

3.4.3 AUTOMATIC RECOGNITION OF THE "E-RECO" ATTACHMENT

The machine is equipped with an electronic recognition system that identifies the type of attachment installed at the time of coupling.

This system facilitates and speeds up attachment changing operations.

The system features two devices: one located on the telescopic boom and one on the attachment.

Automatic mode: after identification of the type of attachment and the operator's confirmation, the recognition system sets the machine to operate with the connected attachment.

Manual mode: the machine can operate with an attachment without an identification device and in this case it is the operator's responsibility to identify and confirm the type of attachment connected.

- Asks the Operator to confirm that the recognized attachment is the one actually connected to the machine.
- To confirm the type of attachment, press the knob selector (2).

Manual mode

Straight after connecting an attachment without the identification device, the recognition system:

- Does not recognize the connected attachment.
- The operator must select the type of attachment connected to the machine.

The operator must manually select the type of attachment installed, as follows:

- Press the key (3) to exit the "empty" mode (1) (no attachment connected).
- Turn the knob (2) to select the attachment that is connected.
- To confirm the type of attachment, press the knob selector (2).



In "empty" mode the machine can move the boom but with maximum lifting capacity set at 500 kg (1102 lb).



Figure 125: Selection and confirmation of attachment

Automatic mode

Straight after connecting an attachment, the recognition system:

- Identifies the type of attachment (1).

⚠ WARNING

Risk of injury to people or damage to the forklift truck

Not following recommendations could cause malfunctions of your forklift truck and property damage and injuries to anyone close to the working area of the machine.

In both modes: it is the operator's responsibility to make sure that the attachment connected and shown on the display is the one identified by the recognition system or selected manually.

Rispettare le procedure sopra descritte.



Figure 126: "E-RECO" attachment recognition

CHANGING STEERING MODE



Check the front and rear wheel alignment each time the telehandler is started.

The wheels must be aligned and the forklift truck must be in front-wheel driving mode during use on public roads.

1. Align the front and rear wheels.
2. Press the key (1, 2, 3, 4) to select the desired direction mode, the flashing warning light (5) confirms the request.



Figure 129: Steering mode

When the steering mode is enabled, the warning light (5) is steady and the selected driving indicator is shown on the display.

3.5.2 USING THE SEMI-AUTOMATIC WHEEL ALIGNMENT

FRONT AND REAR WHEEL ALIGNMENT INDICATOR

	Green indicator on: indicates the alignment of the front wheels with respect to the axis of the telehandler.
	Yellow indicator on: indicates the alignment of the rear wheels with respect to the axis of the telehandler.

Front and rear wheel alignment procedure

1. Select the steering mode "opposite direction front and rear wheel drive (small turning radius)".
2. Turn the steering wheel so that the yellow rear wheels alignment light comes on.
3. Select the steering mode "Front-wheel drive (driving on road)".
4. Turn the steering wheel so that the green front wheels alignment light comes on.

Once the front and rear wheels are aligned, one of the steering modes can be selected.

With use, the wheels may become uncoordinated, at least every 20 hours of operation the realignment of the wheels must be carried out.

3.5.3 USING THE PARKING BRAKE

The telehandler has the option of having automatic or manual application of the parking brake, which can be selected from keys in the cabin.

The parking brake acts on the front and rear axles.

- To activate the manual parking brake, press the key (1). A red warning light is lit on the display.
- To activate the automatic parking brake, press the button (2). A red warning light is lit on the display.

When the parking brake is applied, the brake lights come on for 2 minutes.

To release the parking brake, press key (1) or (2). The red light on the display will go out.

When starting the telehandler, the parking brake is engaged.

For the safety of the machine and the driver, the parking brake is applied automatically under certain conditions.

With the direction selector in the "neutral" position, the parking brake remains applied despite the pressure on the accelerator pedal.

With direction selected and by accelerating, the brake will be released and the vehicle will move.

The conditions for applying the safety brake are:

- The gearbox remains in the neutral position for several seconds.
- The traveling speed of the telehandler is less than 3.6 km / h (2.23 mph) or the machine has stopped.

The automatic emergency brake is disabled when the direction selector is enabled and the engine speed is increased by pressing the accelerator pedal.



Figure 130: Using the parking brake

3.5.4 DRIVING MODES

The telehandler equipped with electronically controlled transmission allows the operator to choose from three different driving modes:

1. Drive (for road use).
2. Handling (for work use).
3. Eco (to reduce consumption).

The operator selects the mode based on the driving feeling he wants to achieve with the telehandler and according to the different operating needs.

When the telehandler is switched on, the "Drive" mode is active by default.

1. "Drive" mode:

It allows the operator a dynamic and rapid drive; it is ideal for all uses where speed is crucial. In fact, you have the maximum driving speed: - in low gear: 0 - 14 km / h (0 - 8.6 mph) - in high gear: 0 - 40 km / h (0 - 24.8 mph). Mode can be activated in low and high gear.

2. "Handling" mode:

It allows the operator to have maximum progressivity and torque performance for all heavy handling and loading tasks.

When the operator makes the telehandler go forward or reverses it and moves the joysticks to control the hydraulic movements, the engine revolutions automatically increase up to maximum speed (if necessary), but the traveling speed does not change and always requires pedal action on the accelerator. While with the telehandler parked "on tires" or on "stabilizers" the operator can increase (+) or decrease (-) the engine revolutions (rpm) on the display (2A). The set value will be the minimum number of engine revolutions below which it is not possible to go. The number of engine revolutions will only increase during hydraulic movements.

The maximum traveling speed of the telehandler is limited:

- In low gear: 0 - 14 km / h (0 - 8.6 mph).
- In high gear: 0 - 25 km / h (0 - 15.5 mph).

Mode can be activated in low and high gear.

3. ECO mode:

This feature adjusts the transmission to maintain the maximum traveling speed of the telehandler at a lower engine RPM, thus saving fuel.

- In low gear: 0 - 14 km / h (0 - 8.6 mph).
- In high gear: 0 - 40 km / h (0 - 24.8 mph).

When the speed is reached (with the accelerator pedal), if maintained for a short period of time, the ECO feature is activated.

Mode can be activated in low and high gear.



Figure 131: Driving modes

3.5.5 USING THE FORWARD / NEUTRAL / REVERSE DIRECTION SELECTOR (FNR)

To move the telehandler forward or to reverse, press the “FNR” selector located on the right joystick of the operator’s seat.

FORWARD GEAR (F): push the selector (1) forward

REVERSE (R): push the selector (1) back.

- The rear video camera will be activated automatically and the pre-defined screen with video recording on the display in the cabin turn on.

IN NEUTRAL (N): to start the telehandler, the selector (1) must be in the neutral position (N). The selected direction is shown on the display on the “DRIVE” page.

Getting the telehandler to go in the opposite direction must be done at low speed and without accelerating.

Getting the telehandler to go forward or to reverse

To allow and enable movement of the machine, the operator must:

- Close the cabin door.
- Fasten the seat belt (in this condition it is possible to move even with the door open).
- Be seated in the driver’s cab.
- Select low or high gear.
- Release the parking brake.
- Check that the machine is positioned on tires:
 - With front turret (no more than +/- 5° of rotation).
 - With turret rotated over +/- 5° and the telescopic boom raised to less than 3 m. An alarm sounds and control panel lights in the cabin turn on to warn you that the turret is not in the front position and the boom is too high.
- Check that the stabilizer beams are:

- Lifted off the ground.
- Completely closed.
- Not fully closed (even just one beam more than 1% open) with an alert for the operator: an alarm sounds and a warning (beams not closed) on the control panel in the cab comes on.
- The stabilizers can be lowered while the machine is in motion. If even one stabilizer is resting on the ground, the movement of the telehandler is disabled. If the stabilizing beams are not fully closed, a warning that beams are not closed sounds and lights up on the control panel in the cabin.



Figure 132: Using the FNR selector

3.5.6 TRAVEL SAFETY SYSTEM RESET BUTTON

The telehandler does not travel in some conditions:

- With forward or reverse selector engaged (F / R) and stabilizers resting on the ground (even just 1).
- With turret rotated more than +/- 5° and the telescopic boom raised to a height of more than 3 m / 9.8 ft off the ground.
- With turret rotated more than +/- 5° and the telescopic boom not fully retracted.

Only in exceptional cases and for safety reasons it is possible to move by pressing the travel safety system reset button (1).

- To allow the movement, the operator must briefly press the key (1), a LED (2) on key and a red icon on the display light up to indicate that the feature is enabled.

3.

USE OF THE MACHINE

- To reset the travel safety system, press the button (1) again so that the LED (2) on the key and the icon on the display go out.



Risk of injury to the operator or damage to the telehandler

In order not to compromise the stability of the telehandler, move slowly for short distances on flat and level ground.



Figure 133: Travel safety system reset button

To obtain a precise horizontal position of the telescopic handler, refer to the spirit level (2) on the display on the "STABILITY" page:

- Red bubble machine level (2b).
- Red bubble machine not level (2a).

How to use this device

Level the telehandler before lifting and extending the boom referring to the appropriate spirit level shown in the lower display area on the "STABILITY" page.

If you notice that the telehandler is not level, lower the telescopic boom and repeat the leveling operation.

Conditions for operation

The leveling operation is possible if the operator:

- Grabs the lever of the right joystick to enable movement consent (green LEDs on the joystick).
- Is seated in the driver's cab.
- Fastens his seat belt and closes or opens the cabin door.
- Raises the telescopic boom no more than 30° or less than or between 3m / 9.8ft off the ground.
- Maintains a turret rotation angle of less than or between +/- 15°.
- Does not stabilize and rests the stabilizing feet on the ground.

In these conditions, press the buttons (X or Y) to level the telehandler.

3.6. STABILITY OF THE MACHINE

3.6.1 LEVELING PROCEDURE (ON TIRES)

The telescopic handler is equipped with a device for leveling the chassis with respect to the ground to be able to level the machine and therefore raise the telescopic boom to the maximum height in complete safety and stability.

Depending on the telehandler model, the machine can be tilted sideways (X) or lengthwise (Y).

To control the leveling, keep the buttons (X or / and Y) on the right joystick (1) in the cabin pressed as required:

- Tilting to the left (X1).
- Tilting to the right (X2).
- Tilting forward (Y1).
- Tilting backward (Y2).



It is possible to level the machine and move the telescopic boom simultaneously.

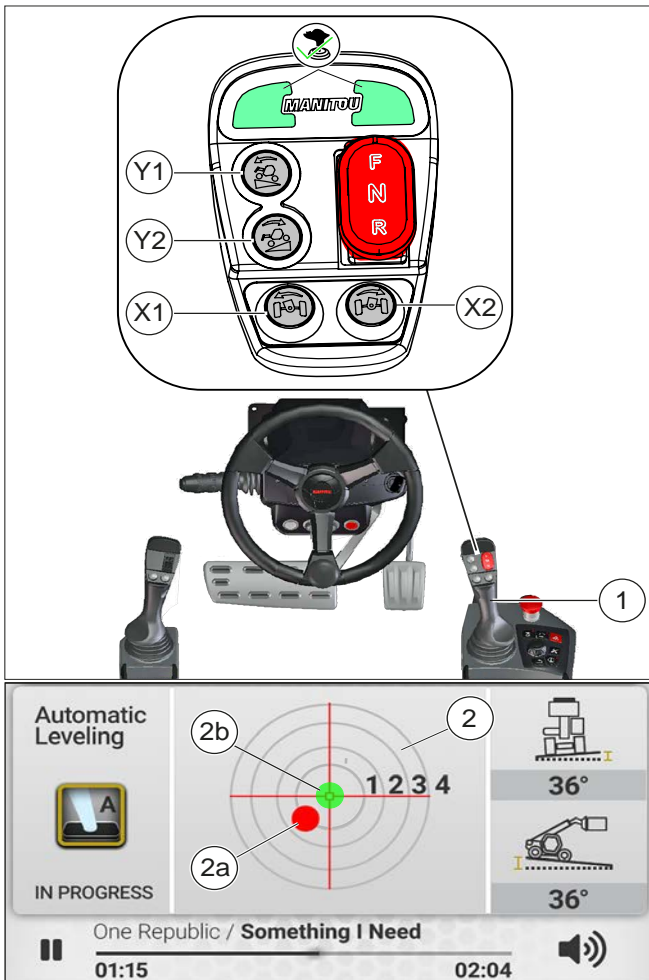


Figure 134: Leveling procedure (on tires)

3.6.2 BLOCKING REAR AXLE SWING

The telehandler is equipped with an automatic rear axle swing block device, on wheels, to work with maximum safety and maintain optimal capacity.

Depending on the model of the telescopic handler, the operation of the rear axle is connected to the logic of the rear suspension rams or without suspensions, it is connected to two additional solenoid valves that manage the blocking / unblocking of the rear axle.

To activate the unblocking of the rear axle you must be in the following conditions:

- Turret rotated with an angle of no more than +/- 15°.
- Telescopic boom raised to no more than 55°.
- Red emergency mushroom button not pressed.
- Telescopic handler with less than 4 stabilizing feet resting on the ground.

When the rear deck swing block feature is enabled, an



amber indicator will light up in the upper display area.

3.6.3 STABILIZER MOVEMENTS

- Manual stabilization.
- Automatic stabilization.
- Automatic de-stabilization.
- Self-leveling of stabilizers.

3.6.4 MANUAL STABILIZATION PROCEDURE

Once the telescopic handler has been positioned in the work area and the stabilizers have been selected with the keys (1, 2, 3, 4) on the right armrest or by touch on the display on the "STABILITY" page, move the small joystick (J) that controls the extension, the retraction and the lowering, the raising of the same. Next, stabilize or destabilize the telehandler according to the operation needed.

To stabilize the telehandler:

- Extend the stabilizer beams.
- Fully lower the beams with the 4 stabilizing feet so that they rest on the ground and stabilize the machine.

To destabilize the telehandler:

- Raise the stabilizer beams completely off the ground.
- Fully retract the stabilizer beams.



It is not possible to perform more than one movement at a time.

The stabilizers are controlled electronically and the extension / retraction and raising / lowering speed can be adjusted proportionally and via the display.

To move the stabilizers, the operator must check that different conditions exist.

Conditions for stabilizers extension block:

- Red emergency mushroom button pressed.
- Operator not seated.
- Seat belt not fastened and door open.
- With the suspension, road mode active. *(depending on machine model)*
- Telescopic boom completely closed,
- Telescopic boom raised to a height over 3m / 9.8ft.

Conditions for stabilizer retraction block:

- Red emergency mushroom button pressed.

3.

USE OF THE MACHINE

- Operator not seated.
- Seat belt not fastened and door open.
- With the suspension, road mode active. *(depending on machine model)*
- Telescopic boom completely closed.
- Telescopic boom raised to a height over 3m / 9.8ft.
- Boom angle over 55° degrees.
- Telescopic boom over 3 m / 9.8 ft if the turret is not centered on the undercarriage over +/- 5° degrees.
- Telescopic boom not closed.
- With attachment for lifting people, if the telescopic boom is at a height over 3 m / 9.8 ft.
- With the attachment for lifting people, if the telescopic boom is not closed.

Conditions for stabilizers descent block

- Red emergency mushroom button pressed.
- Operator not seated.
- Seat belt not fastened and door open.
- With the suspension, road mode active. *(depending on machine model)*
- Telescopic boom completely closed.

Conditions for stabilizer ascent block

- Red emergency mushroom button pressed.
- Operator not seated.
- Seat belt not fastened and door open.
- With the suspension, road mode active. *(depending on machine model)*
- Telescopic boom completely closed.
- Telescopic boom raised to a height over 3m / 9.8ft.
- Boom angle over 55° degrees.
- Telescopic boom over 3 m / 9.8 ft if the turret is not centered on the undercarriage over +/- 5° degrees.
- Telescopic boom not closed.
- With attachment for lifting people, if the telescopic boom is at a height over 3 m / 9.8 ft.
- With the attachment for lifting people, if the telescopic boom is not closed.

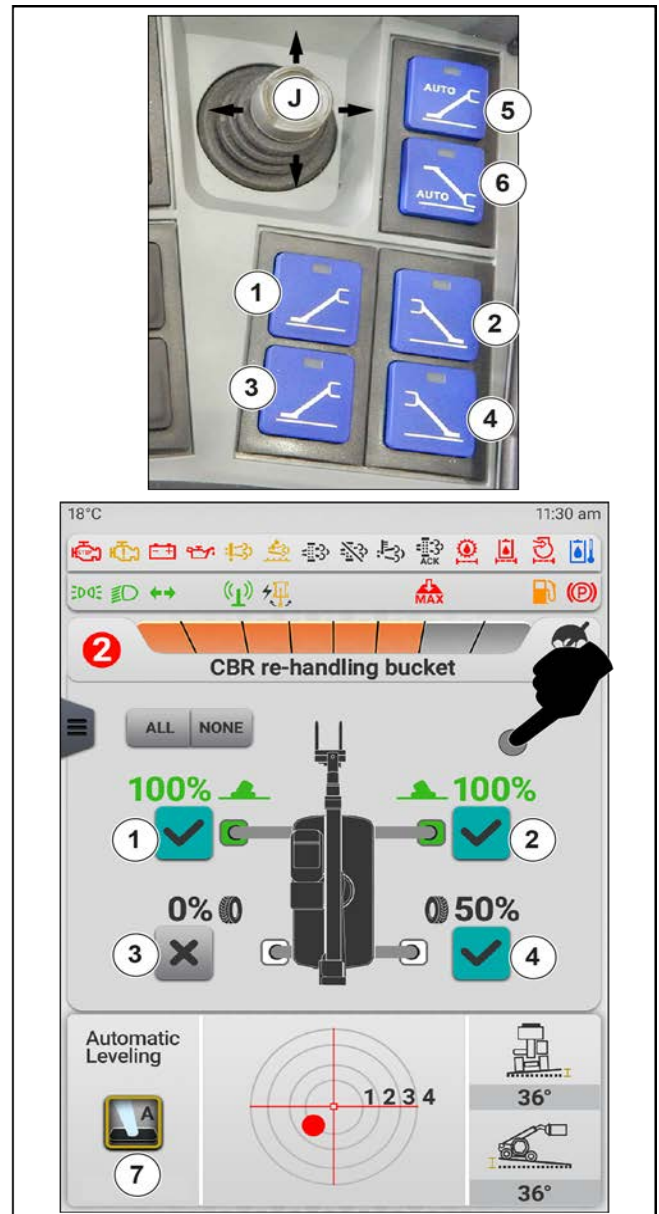


Figure 135: Manual stabilization procedure

3.6.5 AUTOMATIC STABILIZATION OR DESTABILIZATION PROCEDURE

The sequence of the self-stabilization or self-destabilization feature will follow the same logic as the manual one and can be activated by the operator to improve and maximize his work.

To operate these stabilization / destabilization automatism, even if managed electronically, certain block conditions must not exist, the same as described for the manual procedure.

3.6.6 STABILIZERS AUTOMATIC LEVELING PROCEDURE

The machine is equipped with a device for leveling the stabilizers, with respect to the ground in order to level the machine and then raise the boom to the maximum height in complete safety and stability.

Device operation

Before leveling the machine it is necessary to select the four stabilizers, keys (1, 2, 3, 4).

Select the "STABILITY" page on the display and at the bottom keep the button (7) pressed until the machine is leveled and stabilized.

On the display, check the machine level and stabilized indicators.

To enable automatic leveling of stabilizers, the operator must:

- Close the cabin door.
- Place the gear lever on neutral.
- Extend the stabilizer beams more than 40%.
- Fully retract the telescopic boom.
- Check that you are positioned:
 - With front turret (no more than +/- 5° of rotation) and telescopic boom tilt of less than 55°.
 - With turret rotated (more than +/- 5° of rotation) and telescopic boom raised to a height of less than 3 m / 9.8 ft.

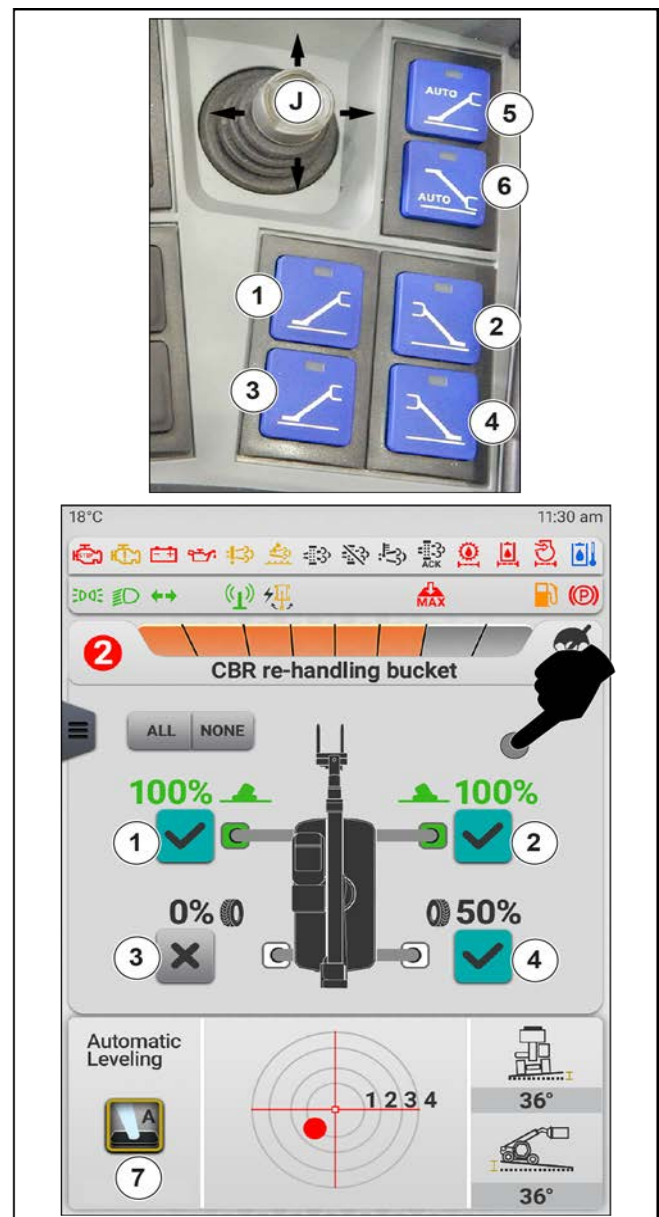


Figure 136: Stabilizers automatic leveling procedure

3.7. EMERGENCY PROCEDURES

3.7.1 EMERGENCY PROCEDURE

In case of emergency, if the safety system needs to be disabled, the operator must:

- Take the hammer (1) on the safety box (2).
- Break the protective glass (3) of the safety box (2).
- Take the key (4) and insert it in the key selector (5).
- Turn the key selector (5) to the " " position to disable the safety system.

3.

USE OF THE MACHINE

Press and keep the key selector (5) turned (4) to “ “ position to proceed and continue to operate with the emergency maneuvers, making movements opposite to those that can generate instability and / or overload of the vehicle.



When the safety system is disabled, an acoustic alarm and a visible indicator (steady red light above the cabin) are automatically activated to warn the driver and any personnel outside the vehicle of a possible dangerous situation.



Once the emergency procedure is completed, put the key (5) back inside the safety box (2) and replace the protective glass (3).



Figure 137: Emergency procedure

3.8. USE OF TOWING DEVICES

3.8.1 PIN AND TOWING HOOK

Located at the back of the telehandler, this device allows you to hook up a trailer.

For each telehandler, the capacity is limited by the total permitted working weight, the tractive force and the maximum lift capacity on the coupling point.

To use a trailer, consult the regulations in force in your country (maximum travel speed, braking, maximum weight of the trailer, etc.). Check the condition of the trailer before using it (tire condition and pressure, electrical socket, hose).

⚠ DANGER

Risk of damage to the handler's steering and braking devices

Using a trailer that is in poor condition could damage the steering and braking devices of the telehandler, and therefore compromise the safety of the machine.

Do not tow a trailer or attachment that is not in perfect working order.

⚠ DANGER

If the trailer coupling or uncoupling operations are carried out by someone else, that person must always be visible to the driver.

Before working on the trailer, wait for the telehandler to stop, the service brake to be applied and the combustion engine to be turned off.



A rear view mirror allows for a more precise approach of the telehandler towards the trailer ring.

3.8.2 COUPLING FORK

Trailer coupling and uncoupling

- To hitch, move the telehandler as close as possible to the trailer ring.
- Apply the parking brake and switch off the heat engine.
- Remove the split pin 1, raise the tow pin 2, and position or remove the trailer ring.

⚠ DANGER

Risk of pinching or crushing

There is the risk of pinching or crushing during the maneuver.

Don't forget to put the split pin 1 back. When uncoupling, make sure the trailer is standing on its own.



Figure 138: Coupling fork

3.9. TRANSPORT OF THE MACHINE

3.9.1 TRANSPORTING THE TELESCOPIC HANDLER ON A TRAILER

Check that the safety recommendations relating to the transport platform have been followed before loading the telehandler, and verify that the driver of the means of transport is informed of the dimensional characteristics and weight of the telehandler

Before loading the telehandler, check on the display that the turret aligned and centered indicator is on.

Afterwards, it is necessary to block the rotation of the turret using the safety pin supplied with the telescopic handler.

⚠ DANGER

Risk of overturning

Make sure the platform is large enough and has the load capacity to transport the telehandler. Also check the allowed ground contact pressure for the platform with respect to the telehandler.

Blocking the rotation of the telehandler turret

1. Park the vehicle in a flat, unobstructed area.
2. Align and center the turret.
3. Stop the vehicle.

4. Open the hood behind the cabin to take out the safety pin (1) supplied with the machine.
5. Unscrew the screw (2) that fixes the pin in its seat. Remove the pin and screw.
- 6.

⚠ DANGER

Risk of crushing

To position the safety pin, access the walkable surface above the vehicle's undercarriage via the right side ladder.

During the safety pin positioning procedure, do not stand under the telescopic boom.

Insert the pin (1) in the seat on the turret (3) and slide it down as far as it will go.

7. Secure the pin with its fixing screw (2).



After unloading the telehandler from the transport platform, extract the safety pin for blocking the turret rotation and put it back in its resting seat (4).

3.

USE OF THE MACHINE

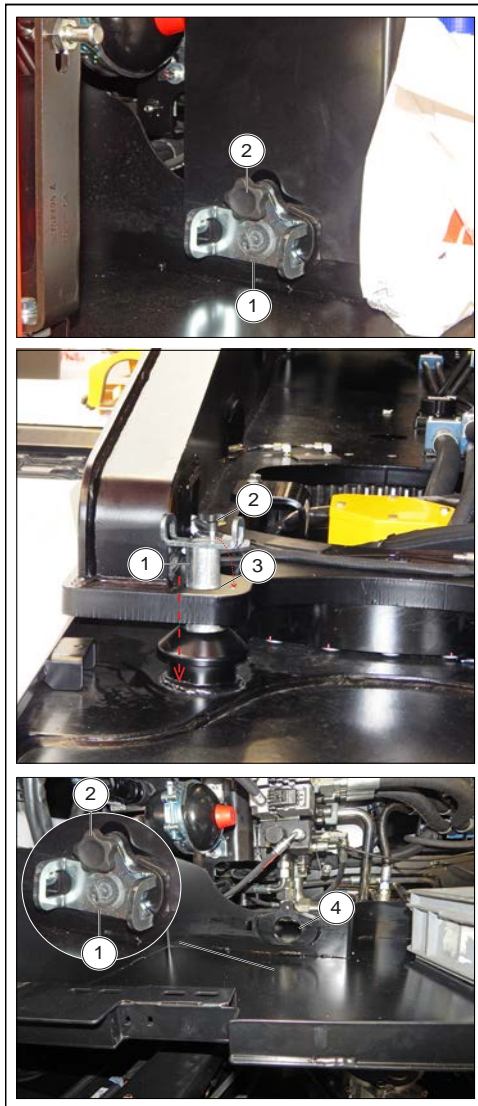


Figure 139: Blocking turret rotation

Load the telehandler

1. Block the wheels of the transport platform.
2. Fasten the loading ramps to the platform so that the smallest possible angle for lifting the telehandler is achieved.
3. Load the telehandler parallel to the platform.
4. Switch off the telehandler.

⚠ DANGER

Danger of overturning

In case of loading of the telescopic handler on the transport platform by radio remote controlled driving, the operator must:

- maintain a safety distance of at least 3 m from the vehicle itself and which allows a good view of the loading operations, but which allows escape in the event of accidental overturning or rolling of the vehicle from the platform;
- make sure there is nobody in the loading area;
- make sure there is nobody in the cabin.

Putting the telehandler in a harness

1. Secure wedges in front of and behind each tire.
2. Block the telehandler to the platform with sufficiently strong ropes or chains on the front and rear of the telehandler at the anchorage points (1).
3. Tighten the ropes or chains.

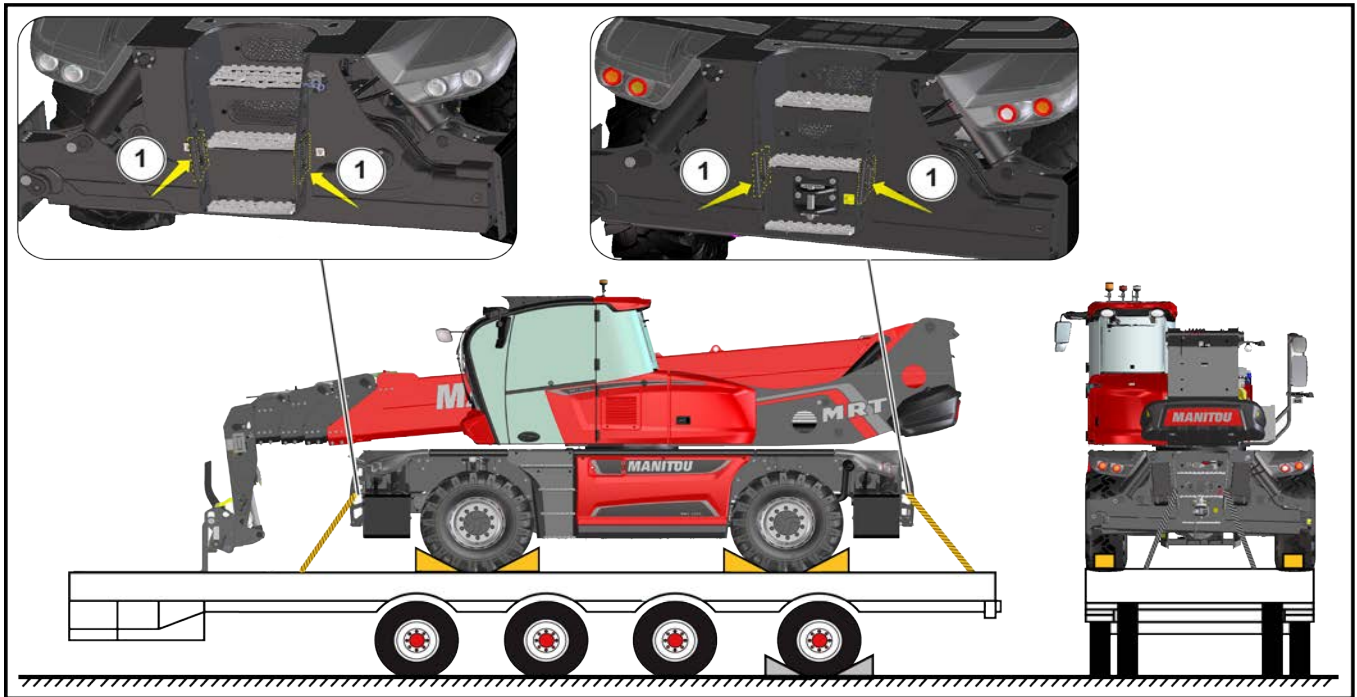


Figure 140: Putting the telehandler in a sling

3.9.2 PUTTING THE TELEHANDLER IN A SLING AND LIFTING IT

Take into account the position of the center of gravity of the telehandler for lifting.

Position the bands in the anchoring seats provided: the ends of the front (1) and rear (2) stabilizing beams.

Extend the beams until they protrude from the shape of the machine so that the operator does not find obstacles during the insertion of the bands and during the lifting phase.

3.

USE OF THE MACHINE

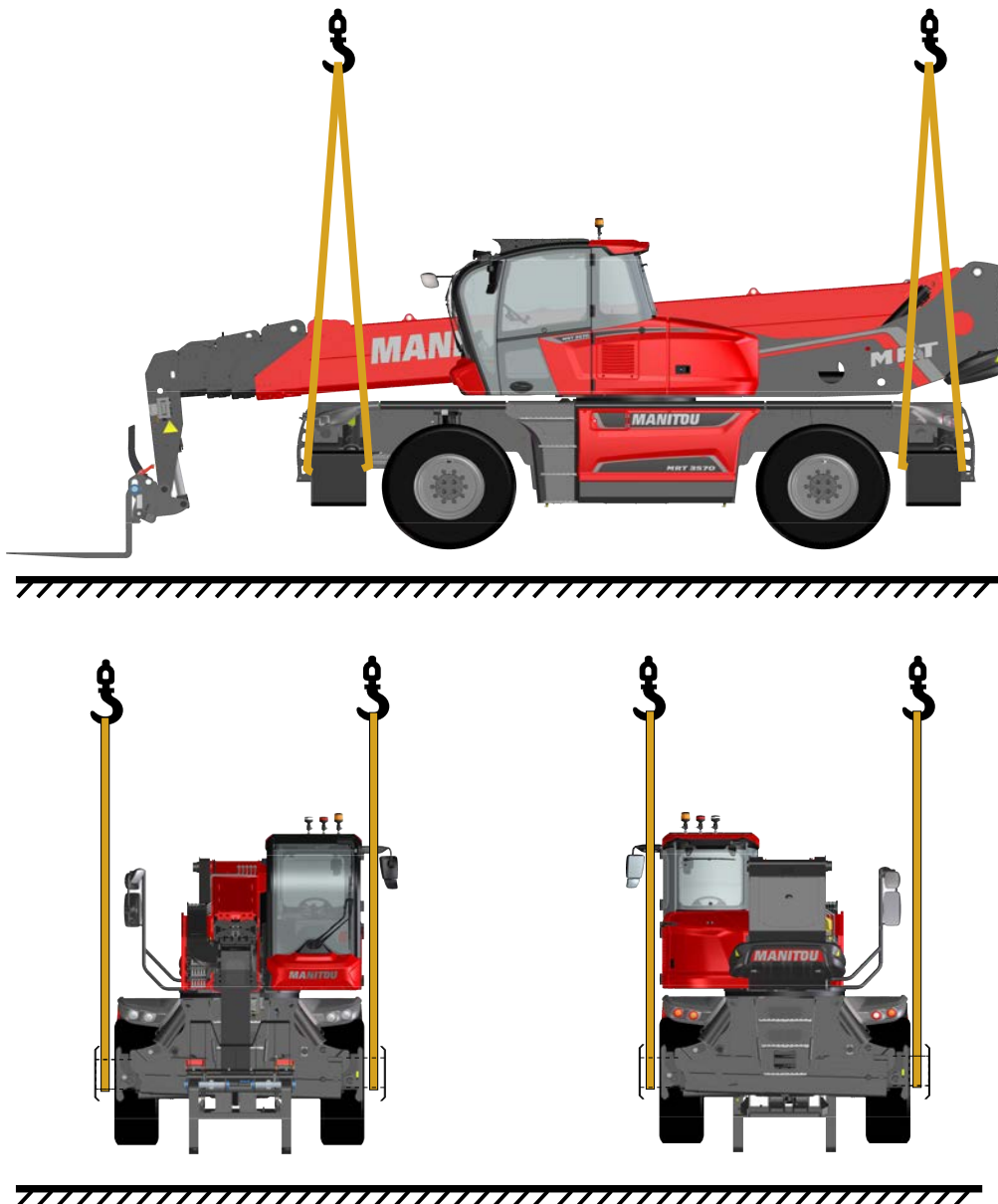


Figure 141: Putting the telehandler in a sling and lifting it

3.9.3 TOWING OR HOOKING THE TELEHANDLER

MRT2260, MRT2660, MRT2570, MRT3050, MRT-X2260, MRT-X2660, MRT-X2570, MRT-X3050



Towing can be done at very low speed and for short distances.

How to operate

Press the forward-reverse direction selector in neutral "N".

Release the parking brake.

Turn on the hazard warning lights.

Shift the gear into neutral on the gearbox:

1. Disconnect and plug the hydraulic hoses (1) from the jack of the low / high gearbox.
2. Leverage the stem (2) of the gearbox to make it come out and bring it to the neutral position (intermediate position between the two "next clicks").
3. Unblock the negative brake:
With locknut, tighten the negative brake release screws (3), positioned on the two sides of the front axle housing until they rest with the piston. At this point, make a rotation of one turn.

In the absence of hydraulic steering and power brake assistance, act slowly and vigorously on these two controls.

Avoid sudden movements and jerks.

! It is crucial that opposite screws are tightened the same amount.

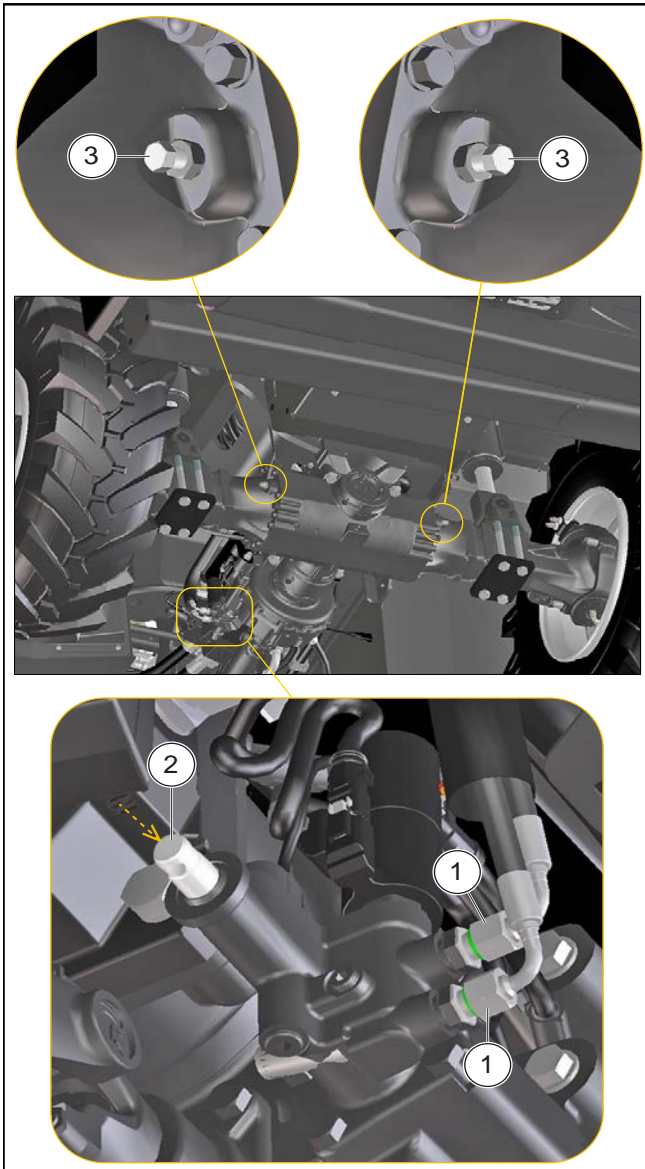


Figure 142: Towing or hooking the telehandler

3.9.4 TOWING OR HOOKING THE TELEHANDLER

MRT3570, MRT3570 ES, MRT-X3570, MRT-X3570 ES

☒ Towing can be done at very low speed and for short distances.

How to operate

Press the forward-reverse direction selector in neutral "N".

Release the parking brake.

Turn on the hazard warning lights.

Activate the bypass feature on the hydrostatic pump to allow the hydraulic oil to flow freely.

To activate the bypass feature:

1. Turn off the engine.
2. Use an Allen key (WAF 8) to turn the diverter valve (1) counterclockwise until it stops (2). The bypass feature is now active.

! DANGER

Immediately after towing, deactivate the bypass feature.

To deactivate the bypass feature:

1. Use an Allen key (WAF 8) to turn the diverter valve (1) clockwise until it stops and tighten it with a tightening torque of 50 Nm. The bypass feature is no longer active.

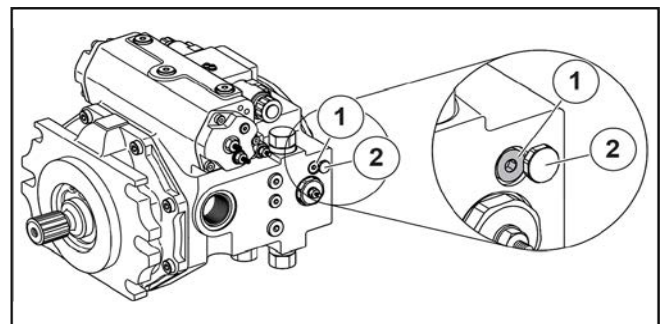


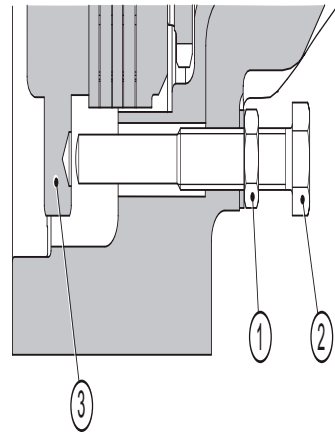
Figure 143: Hydrostatic pump bypass

Mechanical release of the negative brake on front and rear axles

- Loosen the locknuts (1) of the screws (2) of the manual mechanical release. Back off the nuts by ± 8 mm.
- Screw the screws (1) until they are fully seated on the pressure plate (3).

3.

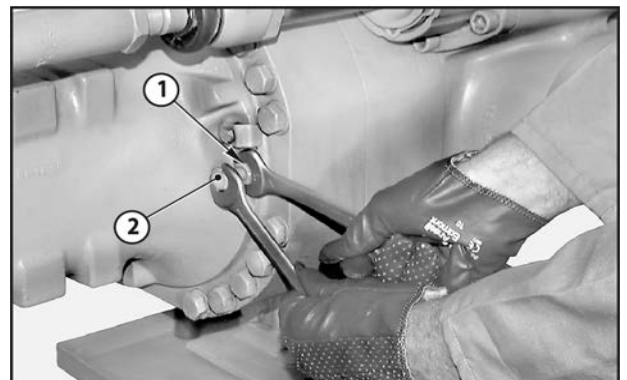
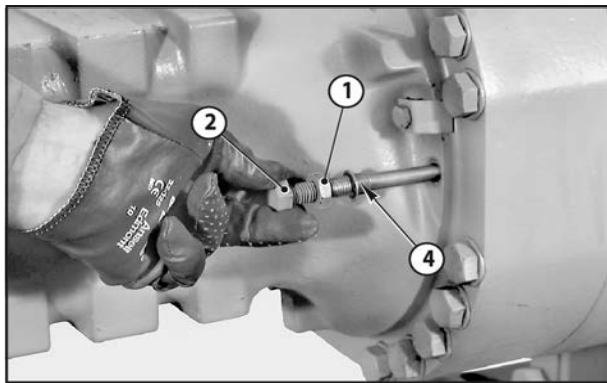
USE OF THE MACHINE



Adjustments after each manual release

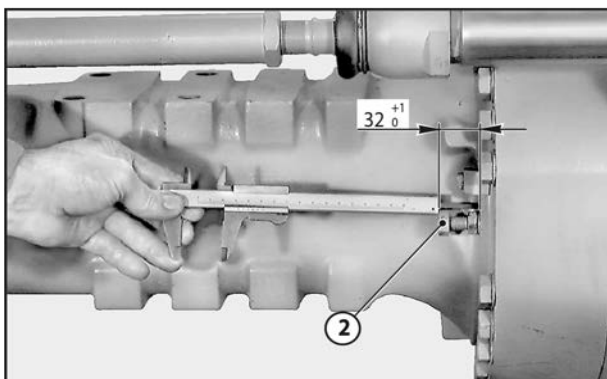
- Remove the screws (2) complete with nuts (1) and gaskets (4).
- Replace the gaskets (4), lubricate the screws (2) with silicone grease and reassemble the complete screws (1-2-4).

- Block the position of the screws (2) with the locknuts (1).



Double check the protrusions of the screws carefully.

- Adjust the projection of the screw heads with respect to the bridge boom to a value of 34 mm.



4. MAINTENANCE

4.1. MAINTENANCE INTERVALS

If the telehandler has not reached 500 hours of operation within the first 6 months, perform the 1st mandatory service at the dealership.

4.1.1 DAILY AND WEEKLY MAINTENANCE



The operator is authorized to perform this maintenance.

These maintenance interventions allow the operator to keep the telehandler in a clean and safe condition.

4.1.2 1ST MANDATORY SERVICE WITHIN THE FIRST 500 HOURS OR WITHIN 6 MONTHS



This service must be carried out within the first 500 hours of operation or within 6 months from the commissioning of the telescopic handler (within the first deadline reached).

4.1.3 PERIODIC MAINTENANCE



Periodic maintenance should be performed by an authorized Manitou network professional.

Maintenance intervals calendar

This calendar allows the operator to keep up to date the periodic maintenance work carried out on the telehandler by notifying the total number of hours carried out and the date of the overhaul carried out by the authorized professional of the MANITOU network.

4.1.4 MAINTENANCE AND OCCASIONAL OPERATIONS

The following work and operations must be carried out according to the safety and maintenance requirements of the telehandler.

4.2. SCHEDULED MAINTENANCE

4.2.1 1ST MANDATORY SERVICE WITHIN THE FIRST 500 HOURS OR WITHIN 6 MONTHS

First 500 hours before the initial 6 months.

If the telehandler has reached 500 hours prior to 6 months of service, perform the 1st mandatory service and the 500-hour periodic maintenance.

First 6 months before the initial 500 hours.



1st mandatory service

Table 87. 1st mandatory service

Operation	Description	Notes
Check	Oil level in the gearbox	
Check	Tire pressure	
Check	Tightening the wheel nuts	
Check	Differential seal of the front axle	
Check	Differential seal of the rear axle	
Check	Seal of the front wheel reducers	
Check	Seal of the rear wheel reducers	
Check	Tightening the telescopic boom shoes	
Check	Hydraulic and transmission oil level	
Check	Windscreen washer fluid level	
Check	Cabin ventilation filters	
Clean	Radiator grille	
Clean	Condenser grille (Air conditioning OPTION)	
Lubricate	General lubrication	
Check	Wear of the forks	
Check	Safety belt	
Check	Silent Block of the three-phase motor	
Check / Adjust	Suction system of the three-phase motor	
Check	Hoses and harness of the three-phase motor	
Check	Brake circuit pressure	
Check	Wear of the boom shoes	
Check	Condition of harness and cables	
Check	Lighting and signaling	
Check	Signalers	
Check	Condition of rear view mirrors	
Check	Cabin structure integrity	
Check	Chassis structure integrity	
Check	Quick coupling of attachments	
Check	Condition of attachments	

4.2.2 DAILY AND WEEKLY MAINTENANCE

10h - Daily maintenance or every 10 hours of operation

Table 88. 10h - Daily maintenance or every 10 hours of operation

Operation	Description	Notes
Check	Engine oil level	
Check	Coolant level	
Check	Telescopic boom sliding shoes	
Verify	"MSS" safety system	
Check	Fuel level	
Check	DEF liquid level	



Operation	Description	Notes
Check	Fuel prefilter	
Check	Cabin glass for damage	

50h - Weekly maintenance or every 50 hours of operation

Table 89. 50h - Weekly maintenance or every 50 hours of operation

Operation	Description	Notes
Check	Hydraulic oil level	
Check	Tire pressure and wheel nut tightening	
Clean	Water oil cooler grille of intercooler	
Clean and lubricate	Telescopic boom wear shoes	
Lubricate	Front and rear side crosses and cardan shaft	
Lubricate	Front / rear pins of stabilizer feet	
Clean and lubricate	Turret rotation ring	
Check	Windshield washer fluid level	
Check and Clean	Condenser grille (Optional Air Conditioning)	
Lubricate	Pins of front and rear wheel reducers	

250h - Every 250 hours of operation

Table 90. 250h - Every 250 hours of operation

Operation	Description	Notes
Check	Front and rear axle differential oil level	
Check	Front and rear wheel reducers oil level	
Check	Gearbox oil level	
Check	Battery	
Check	Turret rotation reducer oil level	
Check, clean and lubricate	External boom chains	
Check	Rotation reducer fixing screws	
Clean and lubricate	Cabin door hinges	

4.2.3 PERIODIC MAINTENANCE

500h - Periodic maintenance - every 500 hours of operation or 6 months

Table 91. 500h - Periodic maintenance - every 500 hours of operation or 6 months

Operation	Description	Notes
Check	Contamination of hydraulic oil	
Replace	Hydrostatic pump (transmission) oil filter	
Replace	Hydraulic oil filter cartridge (drain)	
Replace	Hydraulic oil breather	
Check	Fifth wheel and turret fixing bolts	



4.

MAINTENANCE

Operation	Description	Notes
Check	Wear of the forks	Contact your dealer
Check	Cabin ventilation filters	

1000h - Periodic maintenance - every 1000 hours of operation or 1 year



Also carry out periodic maintenance of the 500 hours of operation.

Table 92. 1000h - Periodic maintenance - every 1000 hours of operation or 1 year

Operation	Description	Notes
Replace	Engine oil and filter	
Replace	Front and rear axle differential oil	
Replace	Front and rear wheel reducer oil	
Replace	Gearbox oil	
Replace / Clean	Gearbox oil and speed sensor	Just for: MRT 3570 ES, MRT-X 3570 ES
Replace	Dry air filter cartridge	
Clean	Fuel tank	
Replace	Fuel pre-filter	
Check / Clean	Fuel pump filter	
Replace	Fuel filter	
Replace	Coolant	
Replace	Cabin ventilation filters	
Check	Wear of the external chains of the telescopic boom	
Replace / Lubricate	Turret rotation reducer oil / rotation reducer bearings	
Verify	Wear and increased clearance of the fifth wheel bearings	
Replace	"DEF" boost pump filter	
Replace	"DEF" tank breather	
Check	Safety belt	
Check	Silent Block of the three-phase motor	Contact your dealer
Check / Adjust	Three-phase motor air intake system	Contact your dealer
Check	Three-phase motor hoses and pipes	Contact your dealer
Check	Brake circuit pressure	Contact your dealer
Check	Wear of the telescopic boom shoes	Contact your dealer
Check	Condition of harnesses and cables	Contact your dealer
Check	Lighting and signaling	Contact your dealer
Check	Signalers	Contact your dealer
Check	Condition of rear view mirrors	Contact your dealer
Check	Cabin structure integrity	Contact your dealer
Check	Chassis structure integrity	Contact your dealer
Check	Integrity of arms and suspension linkages	Just for: MRT 3570 ES, MRT-X 3570 ES Contact your dealer
Check	Quick coupling of attachments	Contact your dealer
Check	Condition of attachments	Contact your dealer
Check	Service and parking brake	Contact your dealer



2000h - Periodic maintenance - every 2000 hours of operation or 2 years



Also carry out periodic maintenance of the 500 hours and 1000 hours of operation.

Table 93. 2000h - Periodic maintenance - every 2000 hours of operation or 2 years

Operation	Description	Notes
Check	Tire pressure and wheel nut tightening	
Replace	Hydraulic oil	
Clean	Hydraulic system intake filter cartridges	
Check	Radiator	Contact your dealer
Check	Transmission pressures	Contact your dealer
Check	Steering	Contact your dealer
Check	Condition of the boom assembly	Contact your dealer
Check	Bearings and articulation rings	Contact your dealer
Check	Conditions of hoses and pipes	Contact your dealer
Check	Condition of jacks (leak, rods)	Contact your dealer
Check	Pressures of hydraulic circuits	Contact your dealer
Check	Bearings and articulation rings	Contact your dealer
Clean / Check	Air conditioning (OPTIONAL)	Contact your dealer
Check / Adjust	Engine valve clearance	Contact your dealer

3000h - Periodic maintenance - every 3000 hours of operation or 3 years



Also carry out periodic maintenance of the 500 hours and 1000 hours of operation.

Table 94. 3000h - Periodic maintenance - every 3000 hours of operation or 3 years

Operation	Description	Notes
Replace	Air filter safety cartridge	
Replace	Three-phase motor service belt	

4500h - Periodic maintenance - every 4500 hours of operation or 9 years



Also carry out periodic maintenance of the 500 hours of operation.

Table 95. 4500h - Periodic maintenance - every 4500 hours of operation or 9 years

Operation	Description	Notes
Check	Three-phase motor crankcase breather	
Replace	Motor breather crankcase filter	
Check	Control unit (ECU), sensors and actuators associated with the three-phase motor	Contact your dealer
Check	Three-phase motor turbocharger	Contact your dealer
Check / Clean	Valve of the exhaust gas recirculation (EGR) system of the three-phase motor	Contact your dealer



4.

MAINTENANCE

Operation	Description	Notes
Check	Selective Catalytic Reducer (SCR) / Diesel Oxidation Catalyst (DOC) of the three-phase motor	Contact your dealer
Check / Clean	Three-phase motor injector	Contact your dealer

6000h - Periodic maintenance - every 6000 hours of operation or 12 years



Also carry out periodic maintenance of the 500 hours, 1000 hours, 2000 hours or 3000 hours of operation.

Table 96. 6000h - Periodic maintenance - every 6000 hours of operation or 12 years

Operation	Description	Notes
Check	Diesel Particulate Filter (DPF) of the three-phase motor	Contact your dealer

9000h - Periodic maintenance - every 9000 hours of operation or 18 years



Also carry out periodic maintenance of the 500 hours, 1000 hours, 3000 hours or 4500 hours of operation.

Table 97. 9000h - Periodic maintenance - every 9000 hours of operation or 18 years

Operation	Description	Notes
Replace	Diesel Particulate Filter (DPF) of the three-phase motor	Contact your dealer
Replace	Selective Catalytic Reducer (SCR) of the three-phase motor	Contact your dealer

4.2.4 OCCASIONAL MAINTENANCE

Table 98. Occasional maintenance

Operation	Description	Notes
Install	Telescopic boom safety wedge	
Replace	Wheel	
Regular	Headlights	
Replace	Fuses and relays	
Check / clean	Rotating electric collector transmitter rings (after 3 months of inactivity)	
Verify	Radio control	
Check / Clean	Fuel tank filler filter	
Check / Clean	DEF tank filler filter	
Clean	Stationary regeneration of DPF filter "Handler stopped"	

4.3. EVERY 10 HOURS OF OPERATION

4.3.1 CHECKING THE OIL LEVEL IN THE ENGINE

⚠ DANGER

Risk of damage to the engine or exhaust after-treatment unit

Do not add too much oil. Adding too much oil can cause damage to the engine or the exhaust after-treatment unit.

Drain or suck up excess oil.

Place the telehandler on a level surface with the heat engine off, and let the oil settle in the crankcase.

- Open the hood.
- Remove the dipstick (1).
- Clean the dipstick and check that the level is between the two marks.
- If necessary, remove the cap (2) on the cylinder head and add new oil through the filler port (3).
- Look to make sure that there are no leaks or sweating.

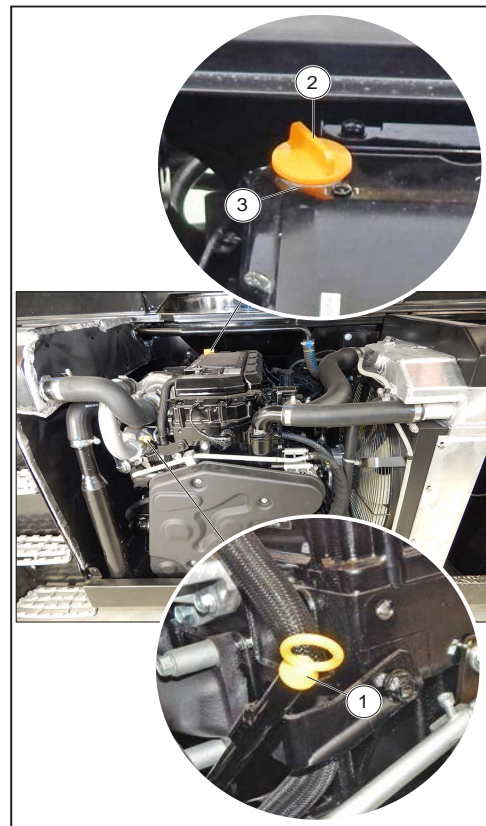


Figure 144: Engine oil level

4.3.2 CHECKING THE COOLANT LEVEL

⚠ WARNING

Risk of getting a burn

Pressurized system: Hot coolant can cause severe burns.

When opening the filler cap, stop the engine and wait for the cooling system components to cool. Loosen the pressure cap slowly to relieve pressure. Never add cold coolant when the engine is hot. In an emergency, it is possible to use water as a coolant, and then proceed, as quickly as possible, to change the fluid in the cooling circuit.

⚠ DANGER

Risk of introducing an air lock into the cooling system

When performing any maintenance or repair of the engine cooling system, the procedure must be performed with the engine at ground level.

This allows you to accurately check the coolant level and avoid the risk of introducing an air lock into the cooling system.

4.

MAINTENANCE

- Open the hood.
- Check the correct level in relation to the center of the indicator (1).
- If necessary, add coolant.
- Slowly pull the radiator cap (2) up to the safety stop.
- Let the pressure and steam escape.
- Press the cap and remove it by turning.
- Add coolant through the fill orifice (3) up to the center of the indicator (1).
- Slightly lubricate the fill orifice to make it easier to replace and remove the radiator cap.
- Look to make sure that there are no leaks on the radiator or pipes.

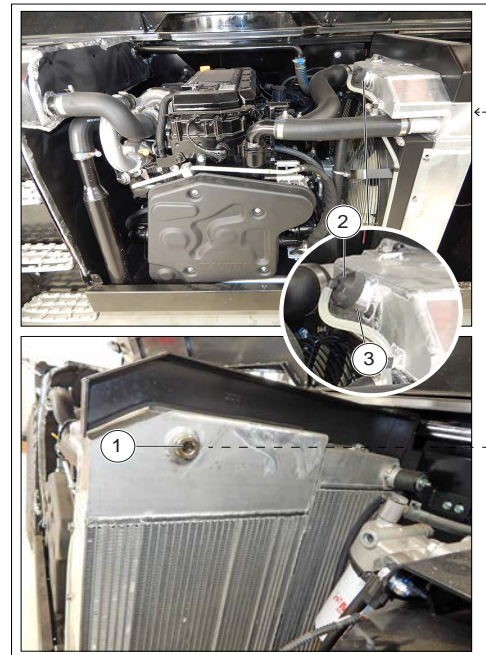


Figure 145: Coolant level

4.3.3 CHECKING THE TELESCOPIC BOOM SLIDING SHOES

To maintain optimum operation, keep the sliding shoes and telescopic boom extensions lubricated.

NOTICE

LUBRICATION OF THE TELESCOPIC BOOM REQUIRED AFTER:

Cleaning the boom, especially with high pressure lances.
Long period of non-use of the telescopic handler.

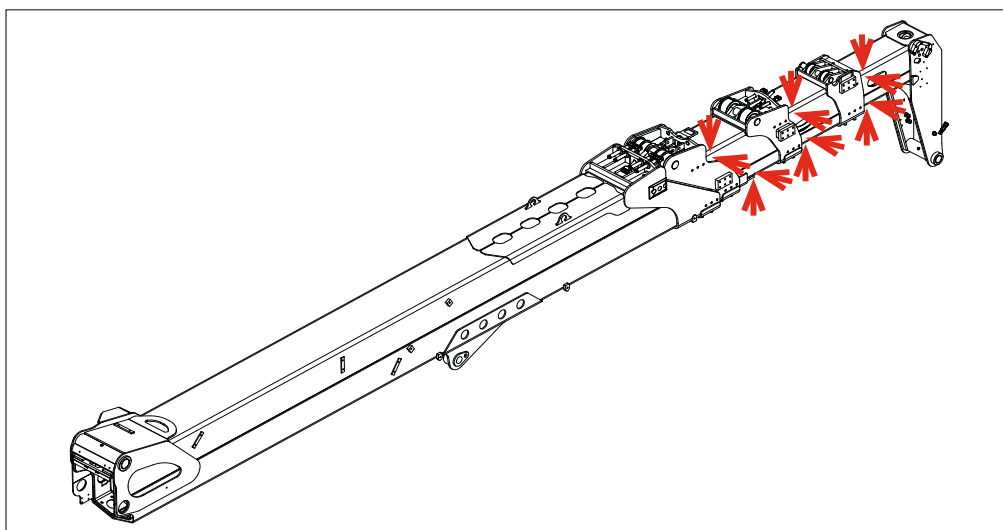


Figure 146: Telescopic boom sliding shoes

1. Fully extend the telescopic boom extensions.
2. Check the condition of the surface of the telescopic extensions: clean surface, without signs of corrosion.
 - 2.1. clean surface, without signs of corrosion.
3. If necessary, lubricate the telescopic boom extensions with specific grease to maintain the correct sliding of the sliding shoes:
 - 3.1. Extend and retract the boom several times to spread the grease evenly.
4. Remove excess grease.

! *In case of use in an abrasive atmosphere (dust, sand, coal) use a sliding paint (reference MANITOU: 483536). Get advice from your dealer.*

4.3.4 CHECKING THE "MSS" SAFETY SYSTEM

1. With the help of a metric cord and a spirit level check the indications of boom length (L) and angle (A).
2. Then check the operation of the safety system by lifting a known weight, with forks, with the boom closed, and checking that the reading of the load on the display (1) is correct (WORKING page, "Geometrical" selection).
3. Extend the load (keeping it about 0.5 m / 1.6 ft from the ground) and check that it reaches the limit set by the load chart and that the telescopic handler blocks aggravating movements when the "MSS" safety system is activated



Figure 147: "MSS" safety system

4.3.5 CHECKING THE FUEL LEVEL

Keep the fuel tank as full as possible to minimize condensation due to atmospheric conditions.

! DANGER

Risk of fire and explosion

Do not smoke or come close with an open flame during filling operations or when the tank is open.

Never fill up while the engine is running.

- Check the indicator on the display (DRIVE page).
- If necessary, add diesel fuel.
- Open the flap (1) using the ignition key to see the fuel filler neck (3).
- Remove the cap (2).
- Fill the tank with clean and filtered diesel fuel through the filler neck (3).
- Put the cap (2) back on.
- Look to make sure that there are no leaks on the tank or pipes.



Figure 148: Fuel level

4.3.6 CHECKING DEF LIQUID LEVEL

⚠ WARNING

Risk of contact with irritants

If the "DEF" tank cap is opened in high temperatures, ammonia vapors may escape. Ammonia vapors have a pungent odor and are particularly irritating to the skin, mucous membranes and eyes. The presence of the vapors can cause a burning sensation in the eyes, nose and oral cavities as well as coughing and watery eyes.

Do not inhale ammonia vapors.

⚠ WARNING

Risk of contact with irritants

If "DEF" comes into contact with eyes or skin, rinse immediately and thoroughly with clean water. If "DEF" is swallowed, rinse your mouth immediately with plenty of clean water and drink plenty of water. Change clothing soiled with "DEF" immediately. In case of allergic reactions, go to a doctor immediately for advice.

Keep "DEF" out of the reach of children. "DEF" must not come into contact with the skin, eyes or clothing.

⚠ WARNING

Risk of getting a burn

During operation and after the engine has stopped, "DEF" pipes and all connected components remain under pressure and can be very hot. When opening the system, there is the risk of being burnt by high temperature "DEF" sprays.

Start work on the exhaust gas after treatment system no sooner than at least 5 minutes after the engine has been stopped. Slowly open the piping connections and blocking elements of the system components. When opening, cover the sectioning point with a piece of cloth. Wear protective gloves, clothing and goggles.

⚠ DANGER

Risk of damage to thermostats and temperature sensors

The penetration of "DEF" into the coolant circuit (even a tiny amount) damages the thermostats and temperature sensors.

It is highly recommended to keep "DEF" separated from other consumables. Do not use the same containers and collection trays for "DEF" and other consumables. Do not use consumables containing traces of "DEF".

⚠ DANGER

Risk of damage to components

The individual components of the DEF system react greatly even in the presence of the slightest trace of impurities in "DEF".

Use only clean containers and collection trays, suitable for containing "DEF". Do not use "DEF" containing traces of impurities.

⚠ WARNING

Risk of poisoning

Fire-fighting measures: "DEF" is not flammable. In case of fire, NH₃ (ammonia) can be released. In this case there is the danger of poisoning. Fire-fighting measures must be suitable for the environmental conditions.

⚠ DANGER

Environmental protection warning Disposal of "DEF":

A small amount of "DEF" accidentally spilled is not a problem. The product is easily biodegradable and can be dispersed without problems in the sewer system using a lot of water. For the disposal of larger quantities of "DEF", always comply with the requirements of the law on environmental protection and recycling / disposal of waste. Packages containing residues of "DEF" must be treated the same way as "DEF". Completely empty the contents of the packages; this way after cleaning the packages can be reused.

- Check the indicator on the display (DRIVE page).
- If necessary, add "DEF" fluid.
- Open the flap (1) by using the ignition key to see the "DEF" filler neck.
- Remove the cap (2).
- Fill the tank with fresh, uncontaminated "DEF" fluid, through the filler neck (3).
- Replace the cap (2).
- Look to make sure that there are no leaks on the tank or pipes.



Figure 149: Checking DEF liquid level

4.3.7 FUEL PRE-FILTER CHECK

⚠ DANGER

Fire risk

Smoking or approaching with an open flame is prohibited. The diesel engine must be turned off. Consult maintenance personnel if in doubt about the state of the water separator.

- Open the engine cover and locate the fuel pre-filter (1).
- Check that there is no water in the tank (2) and empty it if necessary.
- Place a container under the water separator to collect water and contaminants.
- Turn the fuel valve (3) to the CLOSED position (4).
- To drain the water, manually loosen the discharge valve (6) located in the lower part of the water separator bowl. If no water comes out, at the top of the filter holder turn the air vent screw (5) counterclockwise 2 to 3 turns to loosen it.
- If water still does not come out, open the fuel tap.
- After draining the water separator bowl, hand tighten the discharge valve (6).
- If the air vent screw (5) has been loosened, be sure to tighten it.
- Open the fuel valve (3) and prime the fuel following the "Priming the Fuel System" procedure. Check for fuel leaks.

- Close the engine cover.

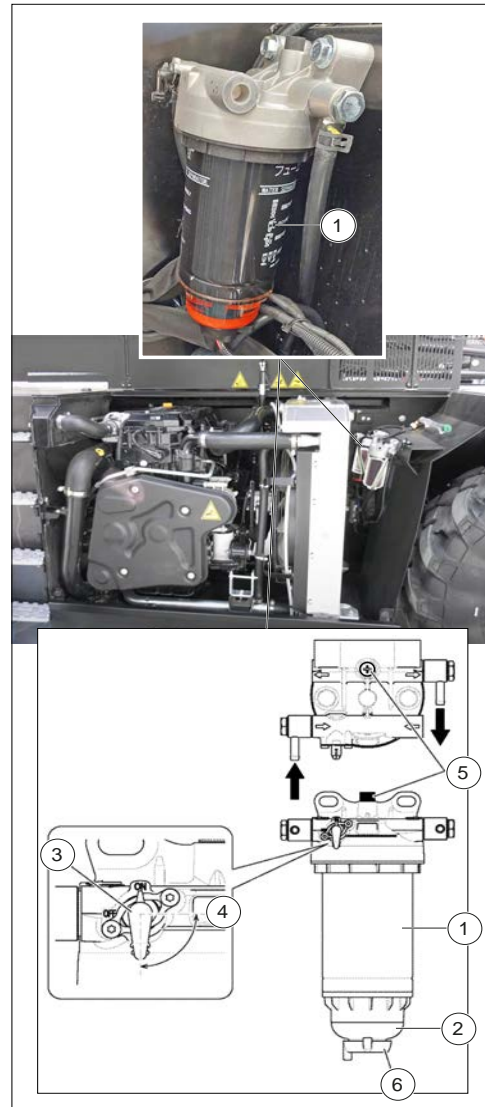


Figure 150: Fuel pre-filter check

4.3.8 CABIN GLASS INTEGRITY CHECK

⚠ DANGER

Structural and/or superficial damage risk

The use of cleaning materials incompatible with the cabin windows can cause structural and/or surface damage.

Do not use abrasive or highly alkaline cleaners on the cabin windows. Do not use aromatic or halogenated solvents such as toluene, benzene, gasoline, acetone or carbon tetrachloride on the cabin windows. If in doubt about the cleaning material, contact your agent or dealer.

⚠ DANGER

Risk of surface degradation and cracking

Contact with aggressive solvents such as methyl ethyl ketone (MEK) or hydrochloric acid can cause surface degradation and possible cracking of the cabin windows.

Do not scrub with brushes, steel wool or other abrasive materials. Do not use spatulas, razor blades or other sharp tools to remove deposits or stains. Do not clean the cabin windows in direct sunlight or high temperatures as this may cause stains.

Cleaning and periodic inspection of the cabin windows, using correct procedures, is recommended for the safety of the operator and to prolong their service life.

- Thoroughly clean all windows in the cabin (windshield, rear window, upper window, side windows).
- Check the integrity of the windows on each side of the cabin.
- Check that there are no scratches, abrasions, cracks etc. In this case it is necessary to replace the glass.

Contact your agent or dealer immediately.

Here is how to clean the cabin windows in the best way and to keep them in good condition.

CLEANING PROCEDURE WITH CLEANING EQUIPMENT

- Clean the surface using a high pressure cleaner (max. 100 bar or 1,450 psi) and/or a steam cleaner. We suggest testing a small area before cleaning the entire glass.
- Avoid the use of water and/or steam additives.

MANUAL CLEANING PROCEDURE

- Gently wash the cloth with a mild soap and warm water solution, using a soft, non-abrasive cloth or sponge to remove dirt or grime.
 - Splashes of grease and soiled glass compounds can be removed easily before drying by wiping lightly with a soft cloth using petroleum ether (BP65), hexane or heptane.
 - Minor scratches and abrasions can be minimized by using a mild car polish cleaner. We suggest testing a small area of the glass with the selected cleaner (follow the instructions provided by the cleaner manufacturer).
- Contact your agent or dealer immediately.**
- Finally, rinse thoroughly with clean water to remove any detergent residue and dry the surface with a soft cloth to avoid water stains.

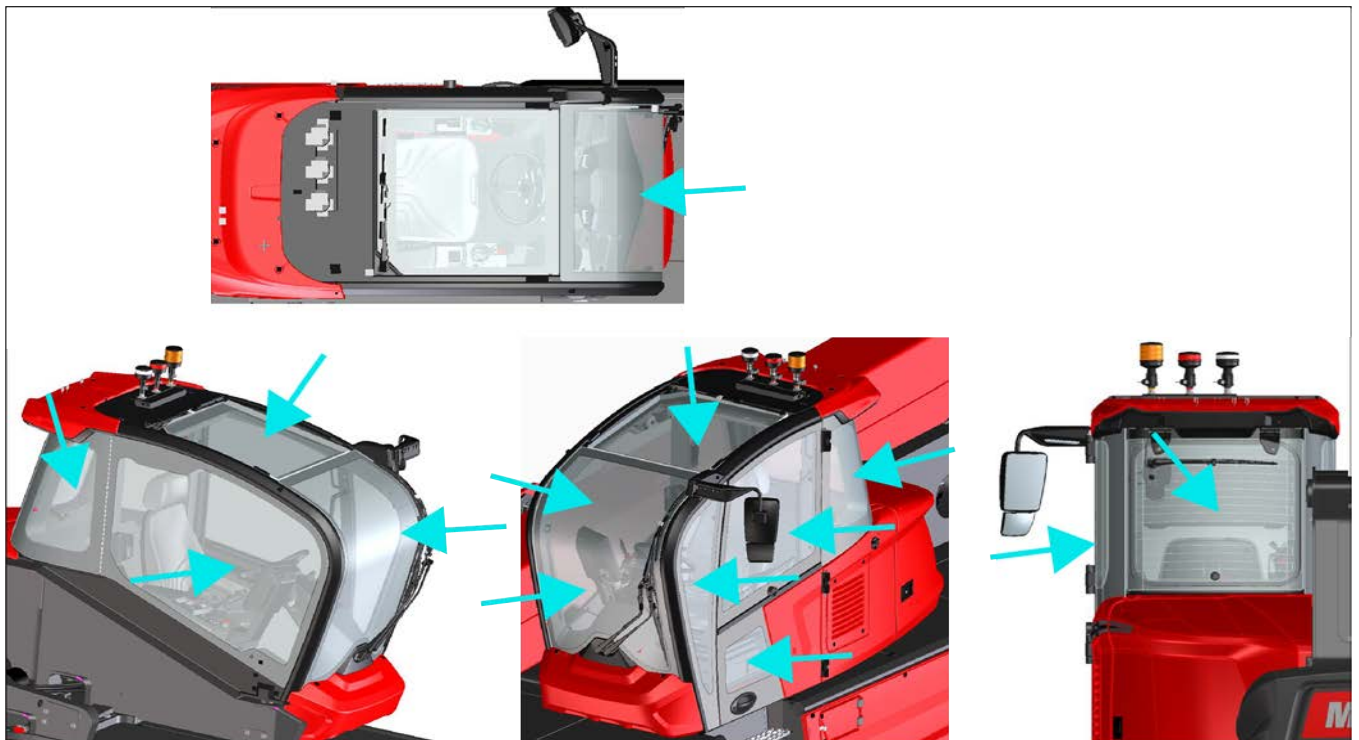


Figure 151: Cabin glass integrity check

4.3.9 CABIN UPPER ANTI-BREAKAGE GLASS INTEGRITY CHECK (OPTIONAL)

⚠ DANGER

If the cabin is equipped with the "upper anti-breakage glass (optional) (1)", periodic maintenance is essential to keep the glass anti-breakage qualities and high impact resistance performance effective, thus providing the operator with greater safety and protection against any intrusion.

⚠ DANGER

Structural and/or superficial damage risk

The use of cleaning materials incompatible with the cabin windows can cause structural and/or surface damage.

Do not use abrasive or highly alkaline cleaners on the cabin windows. Do not use aromatic or halogenated solvents such as toluene, benzene, gasoline, acetone or carbon tetrachloride on the cabin windows. If in doubt about the cleaning material, contact your agent or dealer.

⚠ DANGER

Surface degradation and glass cracking risk

Contact with aggressive solvents such as methyl ethyl ketone (MEK) or hydrochloric acid can cause surface degradation and possible cracking of the cabin windows.

Do not scrub with brushes, steel wool or other abrasive materials. Do not use spatulas, razor blades or other sharp tools to remove deposits or stains. Do not clean the cabin windows in direct sunlight or high temperatures as this may cause stains.

⚠ DANGER

Replace the glass (1) every 10 years.

Cleaning and periodic inspection of the cabin windows, using correct procedures, is recommended for the safety of the operator and to prolong their service life.

- Thoroughly clean all windows in the cabin (windshield, rear window, upper window, side windows).
- Check the integrity of the windows on each side of the cabin.
- Check that there are no scratches, abrasions, cracks etc. In this case it is necessary to replace the glass. **Contact your agent or dealer immediately.**

Here is how to clean the cabin windows in the best way and to keep them in good condition.

CLEANING PROCEDURE WITH CLEANING EQUIPMENT

- Clean the surface using a high pressure cleaner (max. 100 bar or 1,450 psi) and/or a steam cleaner. We suggest testing a small area before cleaning the entire glass.
- Avoid the use of water and/or steam additives.

MANUAL CLEANING PROCEDURE

- Gently wash the cloth with a mild soap and warm water solution, using a soft, non-abrasive cloth or sponge to remove dirt or grime.
- Splashes of grease and soiled glass compounds can be removed easily before drying by wiping lightly with a soft cloth using petroleum ether (BP65), hexane or heptane.
- Minor scratches and abrasions can be minimized by using a mild car polish cleaner. We suggest testing a small area of the glass with the selected cleaner (follow the instructions provided by the cleaner manufacturer). **Contact your agent or dealer immediately.**
- Finally, rinse thoroughly with clean water to remove any detergent residue and dry the surface with a soft cloth to avoid water stains.

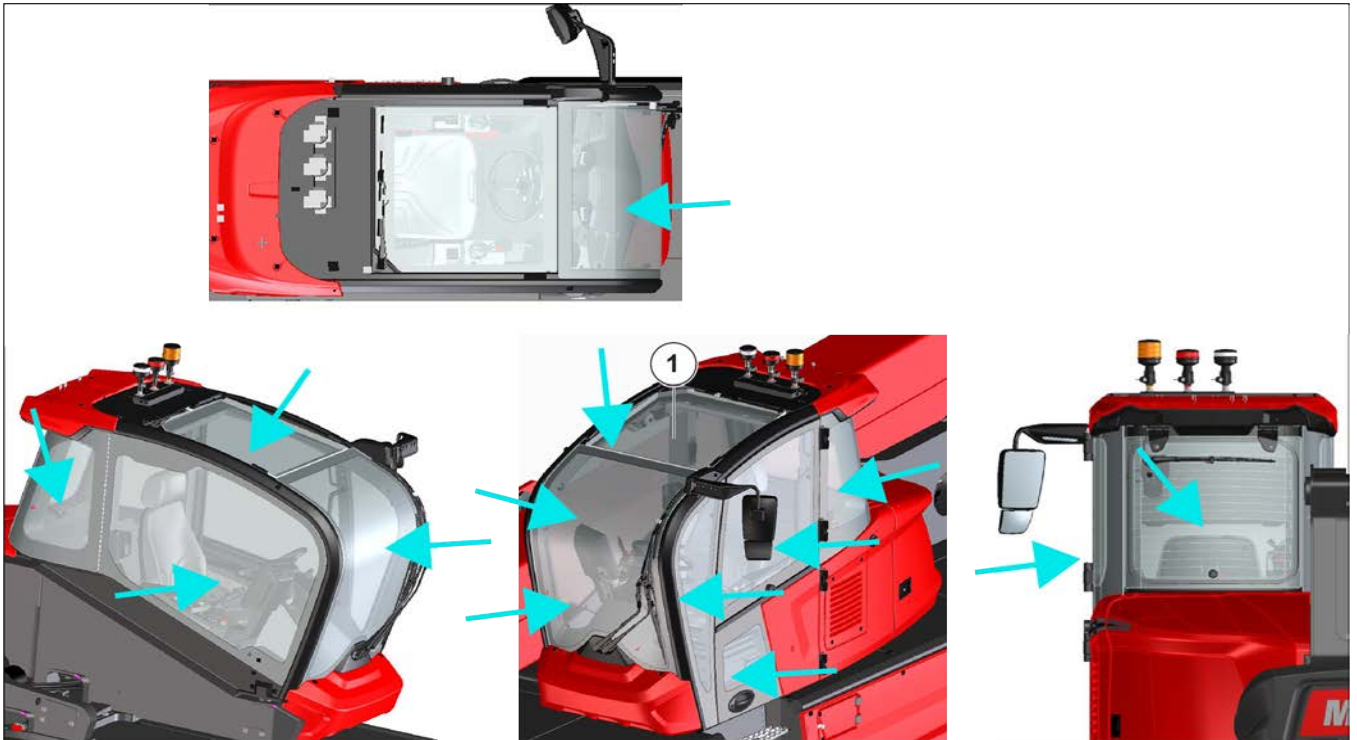


Figure 152: Cabin upper anti-breakage glass integrity check (optional)

4.4. EVERY 50 HOURS OF OPERATION

4.4.1 HYDRAULIC OIL LEVEL CHECK

Place the telehandler on a level surface with the engine off and the telescopic boom retracted and lowered as far as possible.

⚠ DANGER

Use a very clean funnel and clean the top of the oil can before filling.

- Remove the tank protection panel (1).
- By means of a visual check, make sure that there are no leaks or sweating.
- Refer to the optical indicator (2) on the tank to check the level which is correct when it is between the upper and lower marks.
- If necessary, add new oil from the filler neck (4). Remove the cap (3) from the filler neck (4) and top up with oil.

You must always keep the oil level at maximum.

- Refit the cap (3).

- Refit the tank protection panel (1).

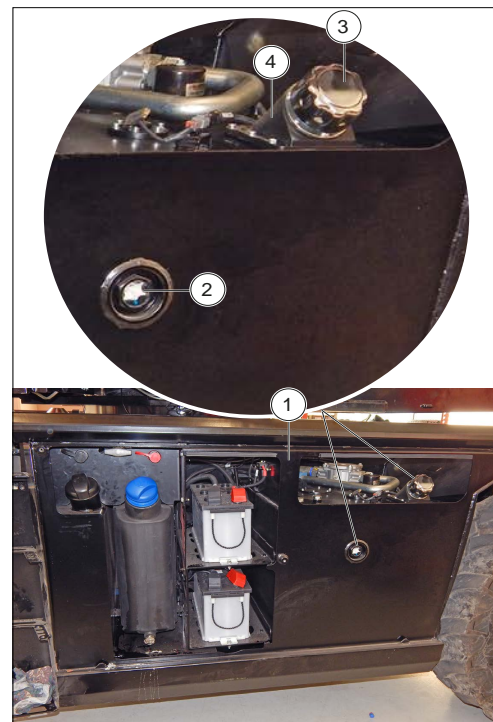


Figure 153: Hydraulic oil level check



4.4.2 TIRE PRESSURE AND WHEEL NUT TIGHTENING CHECK

⚠ DANGER

Check that the air tube is properly connected to the tire valve before starting the inflation and keep anyone away during the operations. Follow the recommended inflation pressures.

- Check the condition of the tires for cuts, bumps, wear, etc.
- Check the tightness of the wheel bolts. Failure to observe this warning could cause deterioration and breakage of the wheel pins, as well as deformation of the wheels themselves.
 - Front wheels: 680 Nm ± 15%.
 - Rear wheels: 680 Nm ± 15%
- Check and, if necessary, adjust the tire pressure (depending on the tire model equipped).

4.4.3 CLEANING THE RADIATOR GRILLE, HYDRAULIC OIL, COOLANT AND INTERCOOLER

⚠ DANGER

Adjust the frequency of cleaning according to the operating environment.

To access the coolant and air intercooler radiator, open the engine cover.

To access the hydraulic oil cooling radiator, remove the panel on the front frame (1).

Inspect these radiator elements: damaged fins, corrosion, dirt, grease, insects, leaves, oil and other debris.

Clean the radiator if necessary.

Compressed air is the best method for removing debris.

Direct the air jet in the direction opposite the fan air flow (1). Hold the nozzle approximately 6 mm (0.25 in) from the radiator fins.

Slowly move the air nozzle parallel to the radiator pipes. Pressurized air removes debris from between the pipes.

⚠ WARNING

Risk of injury

Air pressure can cause personal injury. Failure to comply with safety measures can cause personal injury.

When using compressed air, wear a face shield and protective clothing. The maximum pressure at the compressed air nozzle for cleaning must be less than 21 bar (30psi).

Pressurized water can also be used for cleaning. The maximum water pressure for cleaning must be less than 2.8 bar (40 psi).

Use pressurized water to soften the mud. Clean the core on both sides.

To remove oil and grease, use a degreaser and steam. Clean both sides of the core.

Wash the core with detergent and boiling water. Rinse thoroughly with clean water.

Once the radiator is cleaned, start the engine. Warm up the engine at idle speed with no load for 3-5 minutes. Bring the engine to maximum speed. Running at full throttle helps remove debris and dry the core. Reduce the engine speed to idle and then stop the engine. Use a lamp behind the core to see if it is clean. Repeat cleaning if necessary.

Check if the fins are damaged.

The folded fins can be opened with a "comb".

Inspect these items to verify they are in good condition: welds, mounting brackets, air lines, connections, clamps and seals.

Make repairs if necessary.

4.

MAINTENANCE

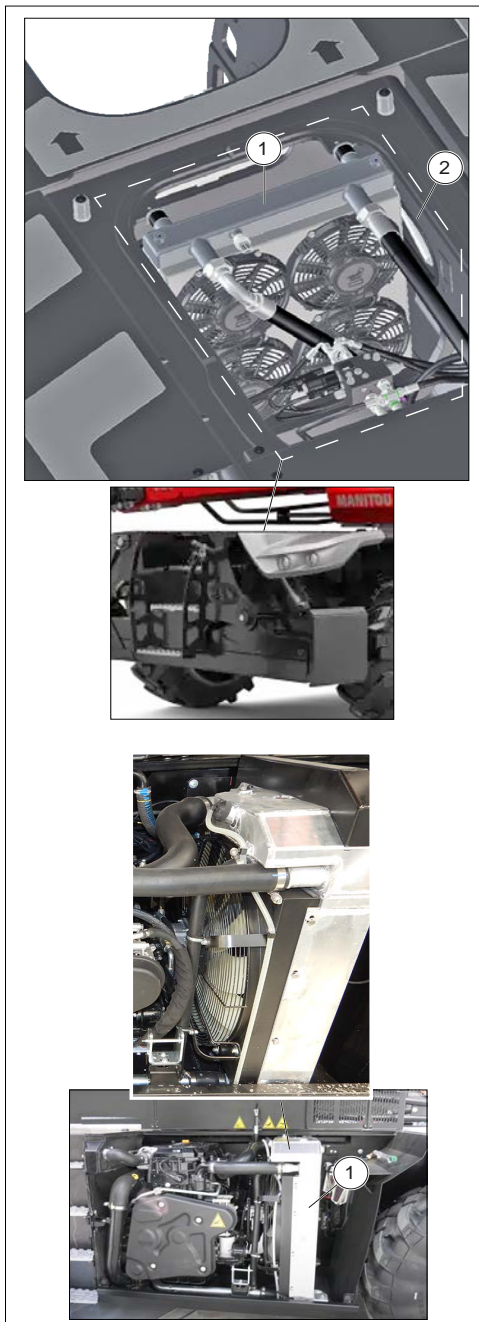


Figure 154: Cleaning the radiator grille, hydraulic oil, coolant and intercooler

4.4.4 WINDSCREEN WASHER FLUID LEVEL CHECK

Open the cover (1) behind the cabin to access the windscreen washer fluid tank (2)

Visually check the tank level.

If necessary, add washer fluid from the filler neck (3).

To access the filler (3), remove the grille (5) on part of the hood behind the cabin.

Remove the filler cap (4).

Add windscreen washer fluid through the filler neck (3).

Replace the filler cap (4).

Refit the grille (5) and close the cover behind the cabin (1).

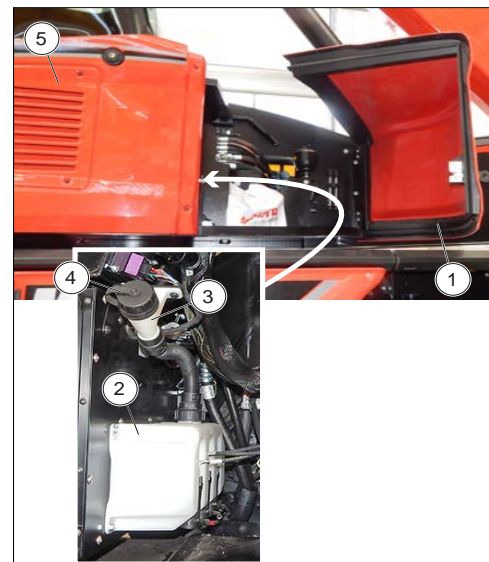


Figure 155:

4.4.5 CHECKING AND CLEANING THE CONDENSER GRILLE (OPTIONAL AIR CONDITIONER)

⚠ DANGER

Risk of damage to the condenser fins

Do not use a jet of water or high pressure steam, this could damage the condenser fins.

In a polluting atmosphere, clean the radiator grille daily.

- Visually check whether the condenser (1) is clean. Clean if necessary.
- Clean the condenser with a jet of compressed air, directing it in the same direction as the air flow.

To optimize cleaning, carry out this operation with the fans on.

4.4.6 GENERAL LUBRICATION

To be carried out every week if the telehandler has not reached 50 hours of weekly running.

⚠ DANGER

Raise the boom and place the safety wedge on the rod of the lifting cylinder.

In case of intense use in a very dusty or oxidizing atmosphere, reduce this frequency to 10 hours of operation or every day.

Clean, then lubricate the following points with grease and wipe off the excess.

CLEANING AND LUBRICATION OF THE TELESCOPIC BOOM WEAR SHOES

- Fully extend the telescopic boom.
- Clean the surface of the extension arms.
- Using a brush, apply a coat of grease to the 4 sides of the telescopic boom.
- Extend and retract the telescopic boom several times to distribute the grease evenly.
- Remove excess grease.

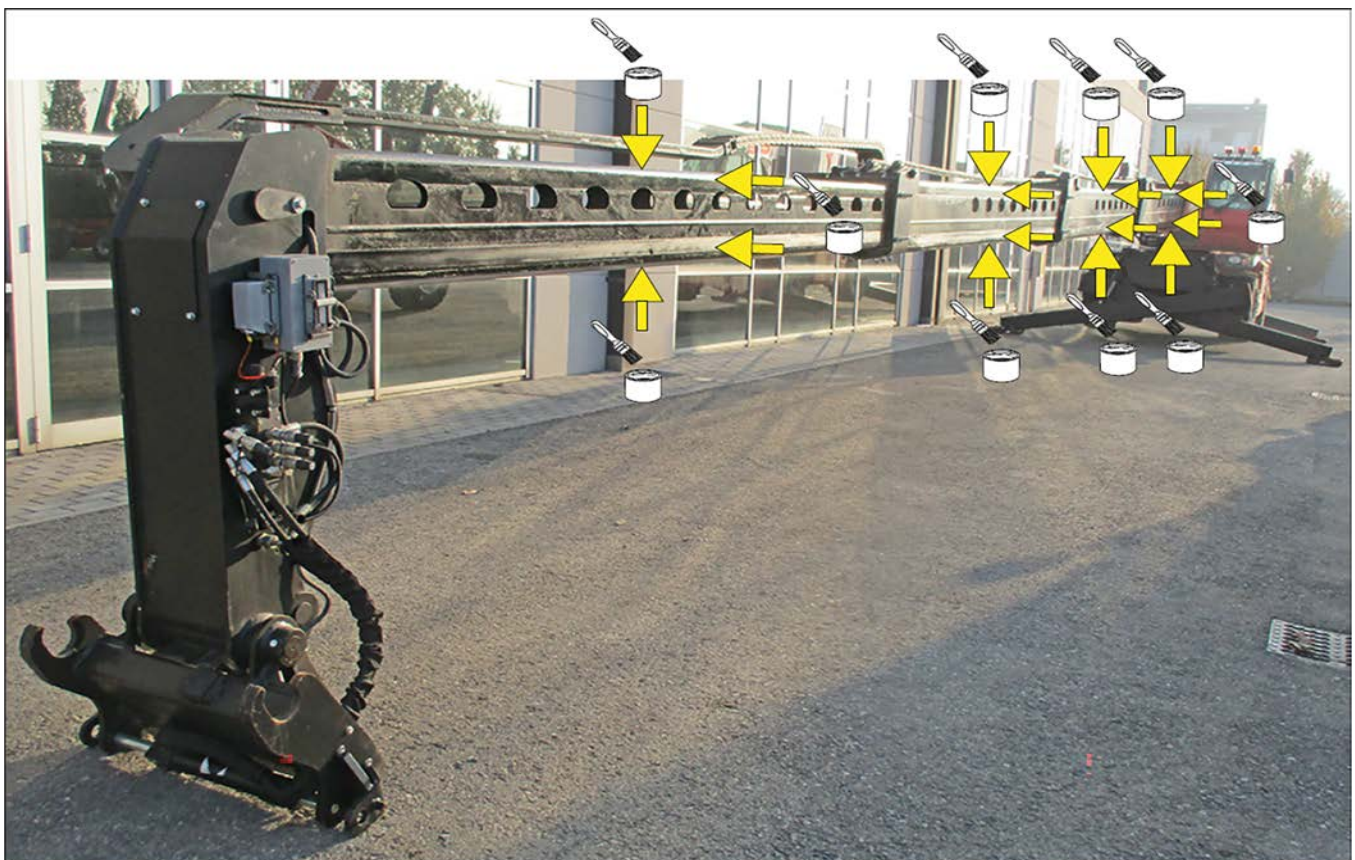


Figure 156: Cleaning and lubricating the telescopic boom wear shoes

CARDAN JOINT LUBRICATION for machines MRT / MRT-X 2260 - 2660 - 2570 - 3060

Lubricate the front and rear transmission shaft Cardan joint spiders (1) with grease.

AXLE OSCILLATION LUBRICATION for machines MRT / MRT-X 2260 - 2660 - 2570 - 3060

Lubricate the oscillation bushings of the front axle (2a) and rear axle (2b) with grease.

FRONT AND REAR WHEEL REDUCER PINS LUBRICATION

for machines MRT / MRT-X 2260 - 2660 - 2570 - 3060

Lubricate the pins of the front and rear wheel reducers using the centralized lubricators (3).

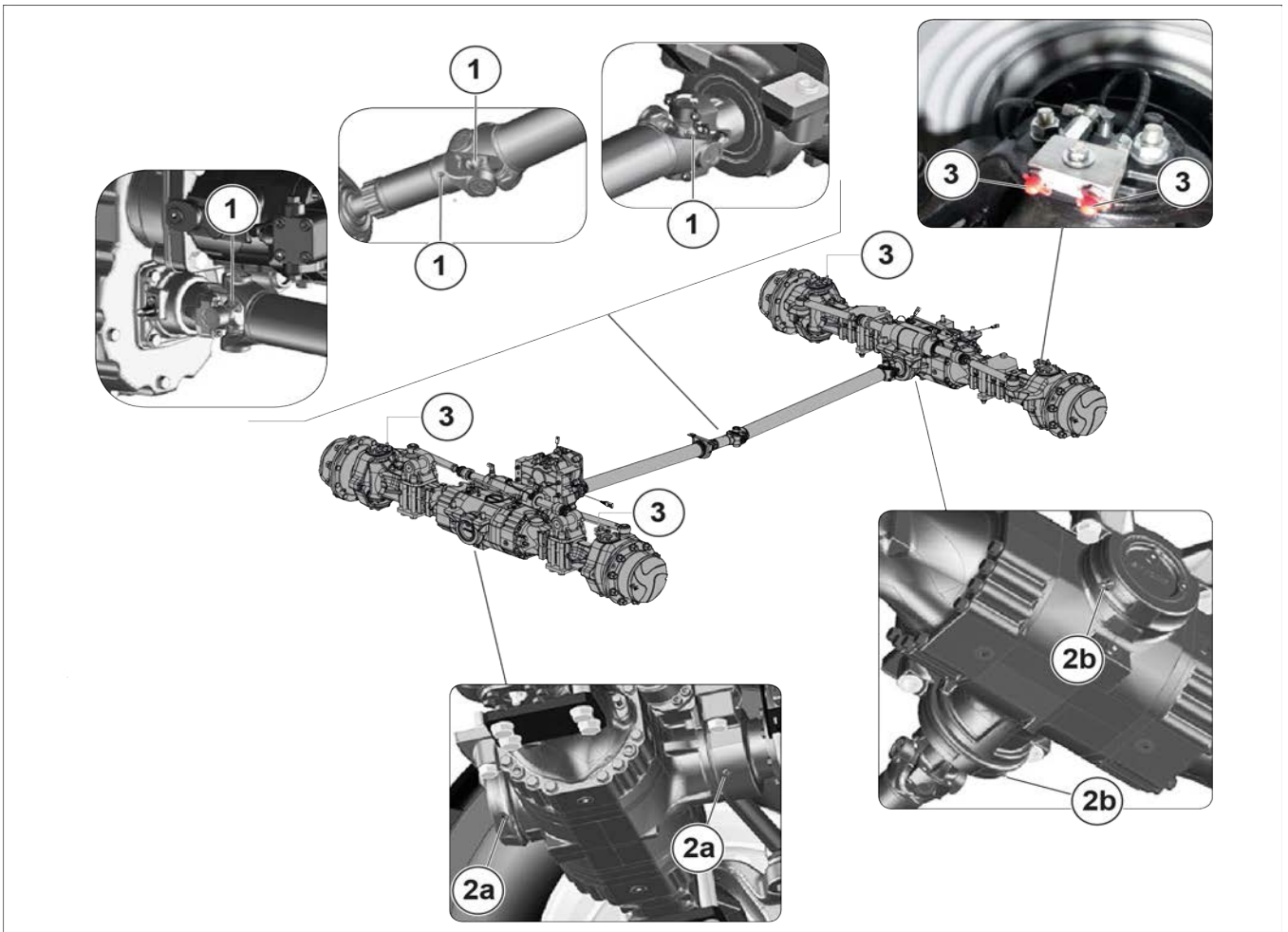


Figure 157: Cardan joint, axle oscillation and reducer pins lubrication

**CARDAN JOINT LUBRICATION
for machines MRT / MRT-X 3570 - 3570 ES**

Lubricate the front and rear transmission shaft Cardan joint spiders (1) with grease.

**AXLE OSCILLATION LUBRICATION
for machines MRT / MRT-X 3570**

Lubricate the oscillation bushings of the front axle (2a) and rear axle (2b) with grease.

**FRONT AND REAR WHEEL REDUCER PINS
LUBRICATION
for machines MRT / MRT-X 3570 - 3570 ES**

Lubricate the pins of the front and rear wheel reducers using the centralized lubricators (3).

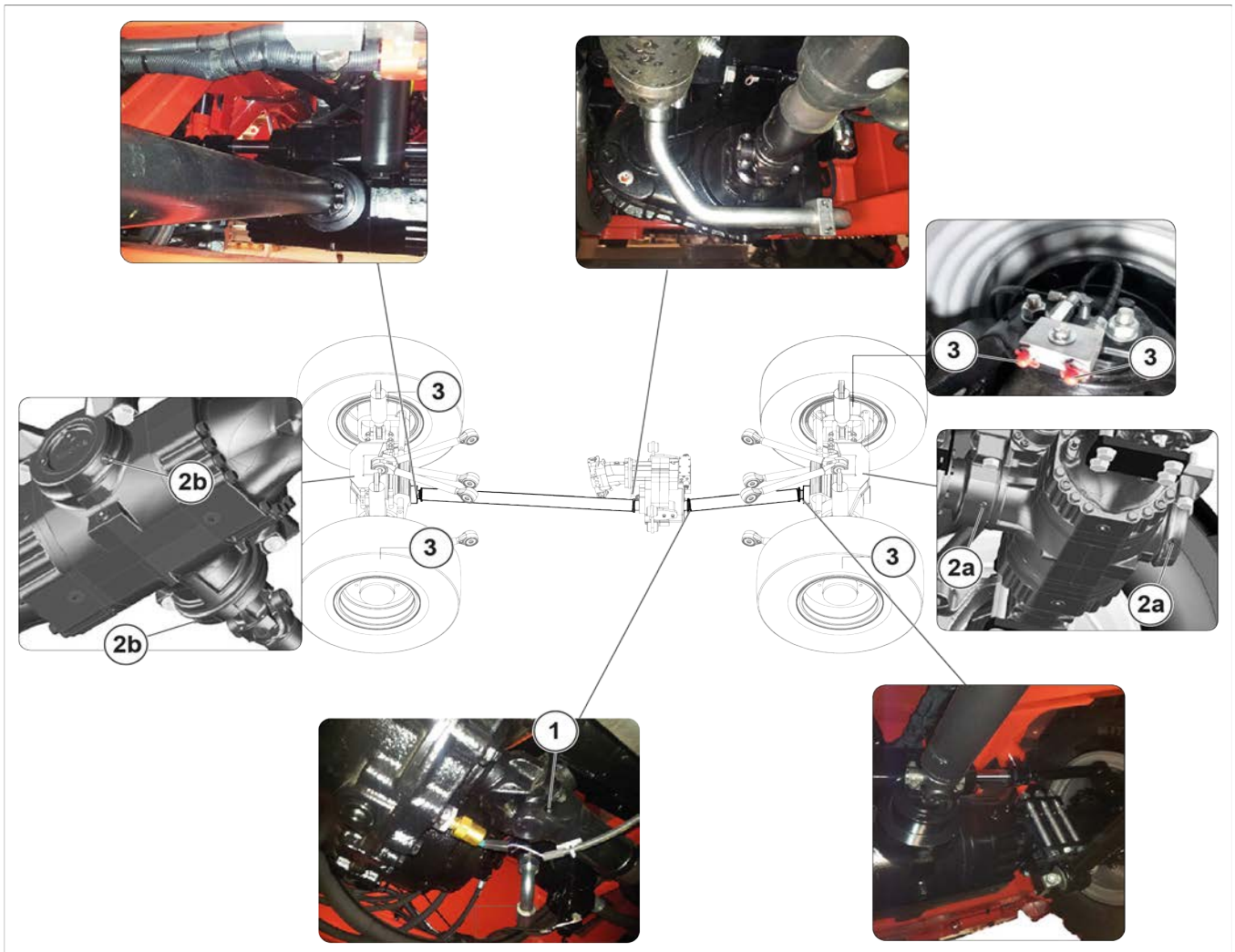


Figure 158: Cardan joint, axle oscillation and reducer pins lubrication

CLEANING AND LUBRICATION OF THE FRONT AND REAR PINS OF THE STABILIZER FEET

Stabilizer foot axle lubricators (1).

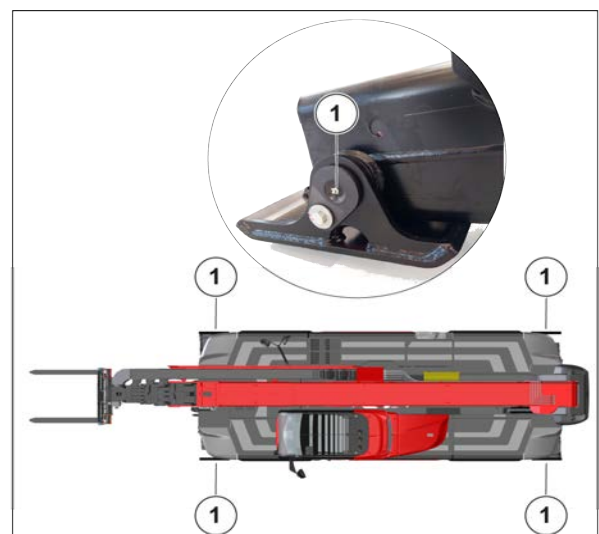


Figure 159: Cleaning and lubrication of the front and rear pins of the stabilizer feet

CLEANING AND LUBRICATION OF THE TURRET ROTATION FIFTH WHEEL

Turret rotation fifth wheel bearing lubricators

- Clean and lubricate the turret rotation fifth wheel.
 - Rolling system lubrication. The fifth wheel is externally equipped with grease nipples (1) for the lubrication of the rolling system. Clean the grease nipples and proceed with lubrication so that a film of fresh grease is seen coming out along the entire periphery of the labyrinths or from the protective seals.

Toothing lubrication

- There must always be a film of grease on the toothing (2), lubricate manually with a brush.

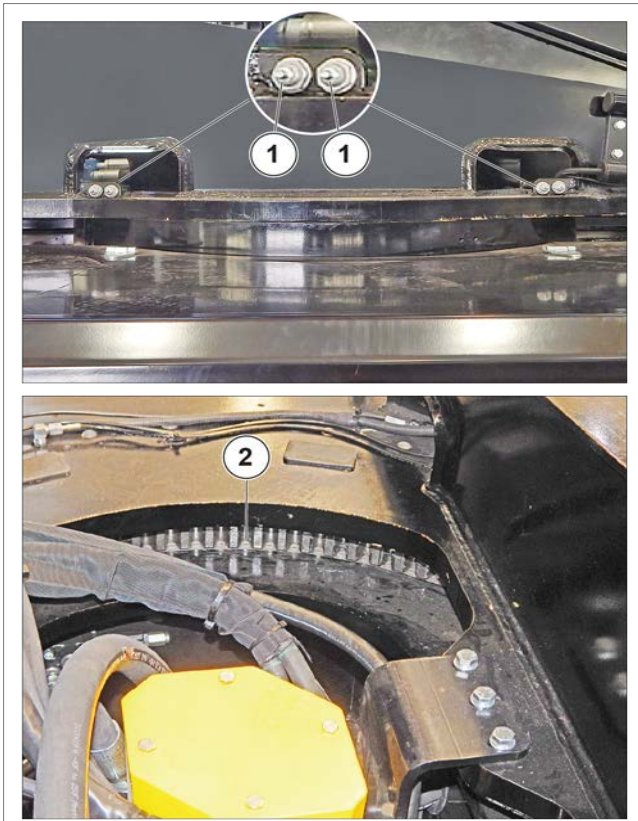


Figure 160: Cleaning and lubrication of the turret rotation fifth wheel

4.5. EVERY 250 HOURS OF OPERATION

4.5.1 FRONT AND REAR AXLE DIFFERENTIAL OIL LEVEL CHECK

Place the telehandler on a horizontal surface with the engine stopped.

Check the oil level of the front axle differential.

Remove the level plug (1) and top up (2), the oil must surface at the mouth of the hole.

If necessary, add fresh oil through the hole.

Repeat this for the rear axle differential.

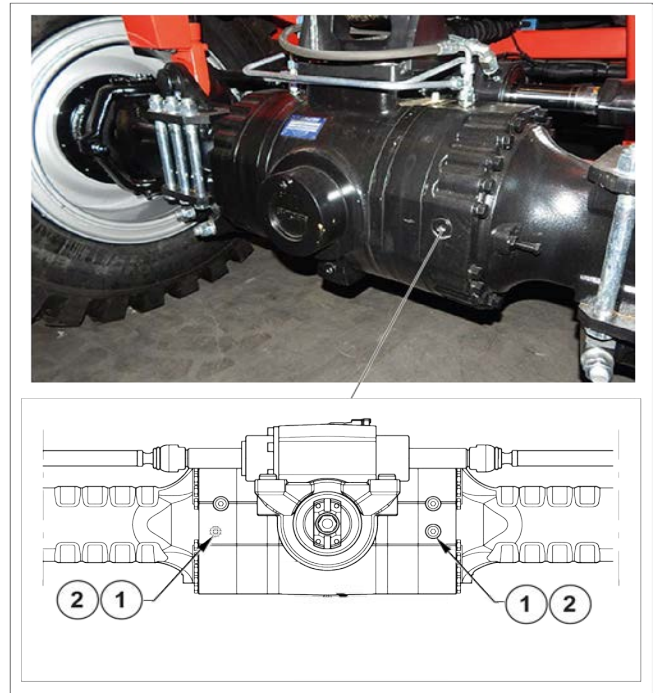


Figure 161: Front and rear axle differential oil level check

4.5.2 FRONT AND REAR WHEEL REDUCER OIL LEVEL CHECK

Place the telehandler on a horizontal surface with the engine stopped.

Check the oil level of the front axle differential.

Remove the level plug (1) and top up (2), the oil must surface at the mouth of the hole.

If necessary, add fresh oil through the hole.

Put back and tighten the level and filler cap (1).

Repeat this for the rear axle differential.



Figure 162: Front and rear wheel reducer oil level check

4.5.3 GEARBOX OIL LEVEL CHECK

(except MRT-X 3570, MRT-X 3570 ES)

Place the telehandler on a horizontal surface with the engine stopped and the gearbox oil still warm.

Remove the level and filler plug (1): the oil must rise to the surface of the hole.

Add fresh oil if necessary.

Put back and tighten the level and filler cap (1).

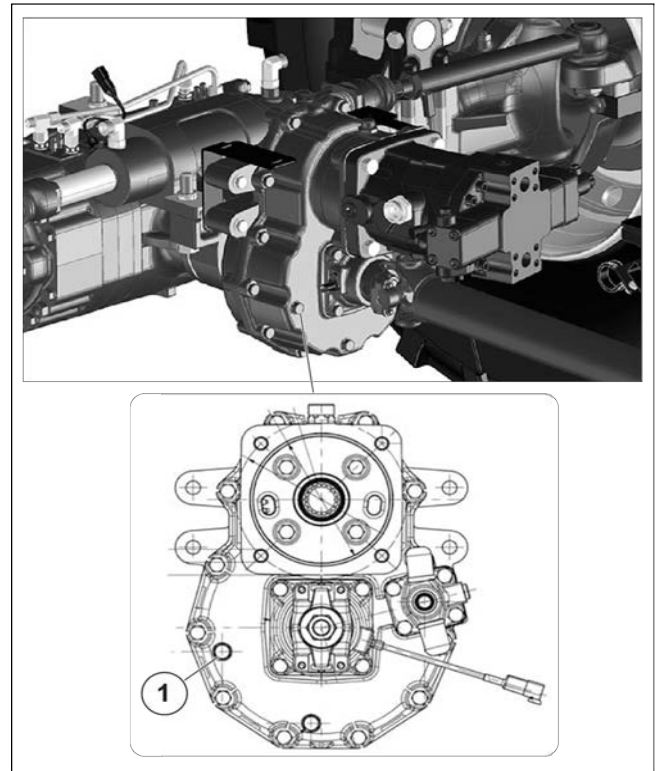


Figure 163: Gearbox oil level check

4.5.4 GEARBOX OIL LEVEL CHECK

only for MRT 3570, MRT 3570 ES, MRT-X 3570, MRT-X 3570 ES

Place the telehandler on a horizontal surface with the engine stopped and the gearbox oil still warm.

Check the oil level using the optical indicator (1). The oil level is correct when the optical indicator is full (1). If necessary, add fresh oil from the top up point (2).

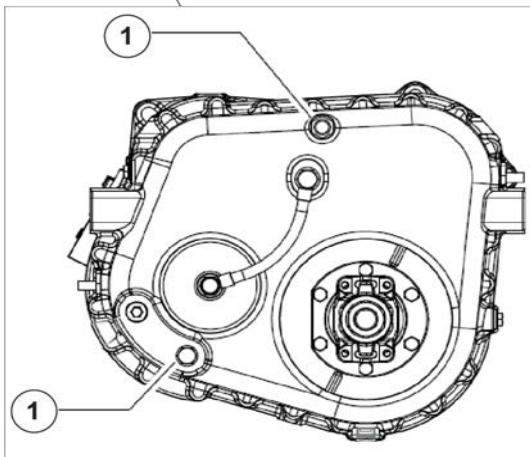


Figure 164: Gearbox oil level check

If the vehicle is not used for a long time, disconnect the battery.

In case of high ambient temperature, check the level more frequently.

Maintenance:

Open the engine cover (3).

Check the connection clamps (2).

Regularly check the electrolyte level (1) and, if necessary, top up with demineralized or distilled water. Never top up with sulfuric acid.

If the pole voltage of the battery is less than 12.3 V (electrolyte density <1.21), the battery must be recharged.

If the vehicle is not used for a long time, disconnect the battery.

Charging the battery:

- Remove the caps (1).
- The batteries should only be charged with direct current.
- Connect the positive (+) cable of the battery charger to the positive (+) pole of the battery and the negative (-) cable of the battery charger to the negative (-) pole of the battery.
- Recharge with a current equal to 1/10 of the nominal capacity (Ah) of the battery.
- The battery will be fully charged when the acid density is 1.28 (1.23, for tropical countries).
- After charging, turn off the charger before disconnecting the battery.
- Check the electrolyte level.

4.5.5 BATTERY CHECK

⚠ WARNING

Danger of corrosive substances

Operate the battery switch at least 30 seconds after having cut off the electrical contact using the ignition key (1). Handling and maintaining a battery can be dangerous. Take the following precautions: Wear protective goggles. Handle the battery horizontally. Never smoke or work near a flame. Work in a sufficiently ventilated room. If the electrolyte comes into contact with the skin or eyes, rinse thoroughly with cold water for 15 minutes and consult a doctor.

Check the battery electrolyte level every 250 hours. When necessary, to restore the level add only distilled water. You should never add sulfuric acid. If frequent topping up of distilled water is required, or if the battery is subject to discharge, the voltage of the regulator must be checked, which must be between 13 V and 14.7 V, with the engine at maximum speed. Check from time to time that the connection terminals are not oxidized.

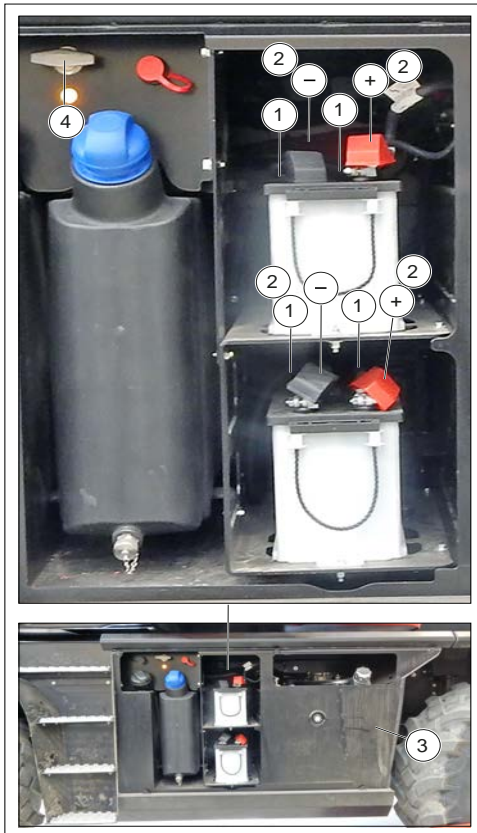


Figure 165: Battery check

4.5.6 ROTATION REDUCER FIXING SCREW TIGHTENING CHECK

⚠ DANGER

Raise the boom and place the safety wedge on the rod of the lifting cylinder.

Place the forklift on a horizontal surface with the engine stopped and the telescopic boom completely raised.

Visually check the fastening of the rotation reducer screws (1) to the chassis and in case of anomalies tighten the bolts according to the torque values described:

Tightening torque 200 Nm / 20.3 kgf-m.



Figure 166: Rotation reducer fixing screw tightening check

4.5.7 EXTERNAL BOOM CHAINS CHECK

⚠ CAUTION

These checks are important for the correct operation of the boom.

If there is any malfunction, consult your dealer.

Clean and lubricate

1. Place the telehandler on the stabilizers, with the boom horizontal.
2. Fully extend the telescopic booms.
3. Protect the upper part of the telescopic boom.
4. Wipe the external boom chains with a clean cloth

4.

MAINTENANCE

5. Examine the chains carefully for any signs of wear.
 6. Brush the chains vigorously to get rid of any foreign bodies.
 7. Use a nylon brush.
 8. Then rinse the chains with a brush impregnated with new diesel oil and dry them with a jet of compressed air.
 9. Moderately lubricate the chains, and carry out some telescopic movements to check the behavior of the chains.
5. If the resulting values are lower than those in the table below, proceed to register the chains (T1-T2-T3).

Chain tension control

Check the tension of the upper boom chains and, if necessary, re-tension them using a special wrench.

1. Place the telehandler on the stabilizers, with the boom horizontal.
2. Fully extend the telescopic booms.
3. Make sure that the chains have remained under tension (keep the boom extraction lever pressed for a few seconds).
4. Measure the distance between the lower side of the chain and the boom (T1-T2-T3) with the aid of a gage or ruler.



Figure 167: MRT-X 2570, MRT-X 2570, MRT-X 3060, MRT-X 3060

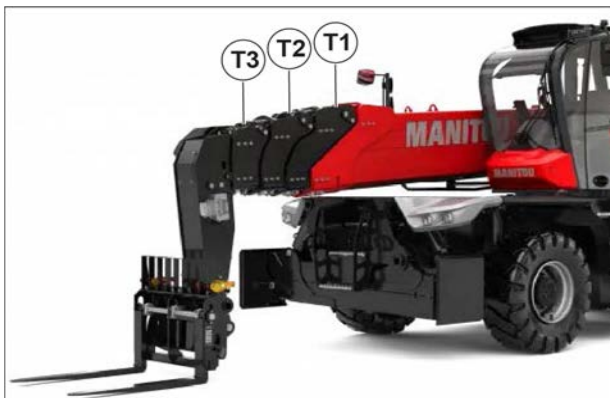


Figure 168: MRT-X 2570, MRT-X 2570, MRT-X 3060, MRT-X 3060

Table 99. Chain registration value table

			MRT 2260 MRT-X 2260	MRT 2660 MRT-X 2660
1st extension boom (T1)			mm - in	
Minimum size	Y1	≥	87 - 3.4	75 - 2.9
Maximum size	Y2	≤	117 - 4.6	105 - 4,1
2nd extension boom (T2)			mm - in	
Minimum size	X1	≥	55 - 2,1	45 - 1,7
Maximum size	X2	≤	85 - 3,3	75 - 2,9

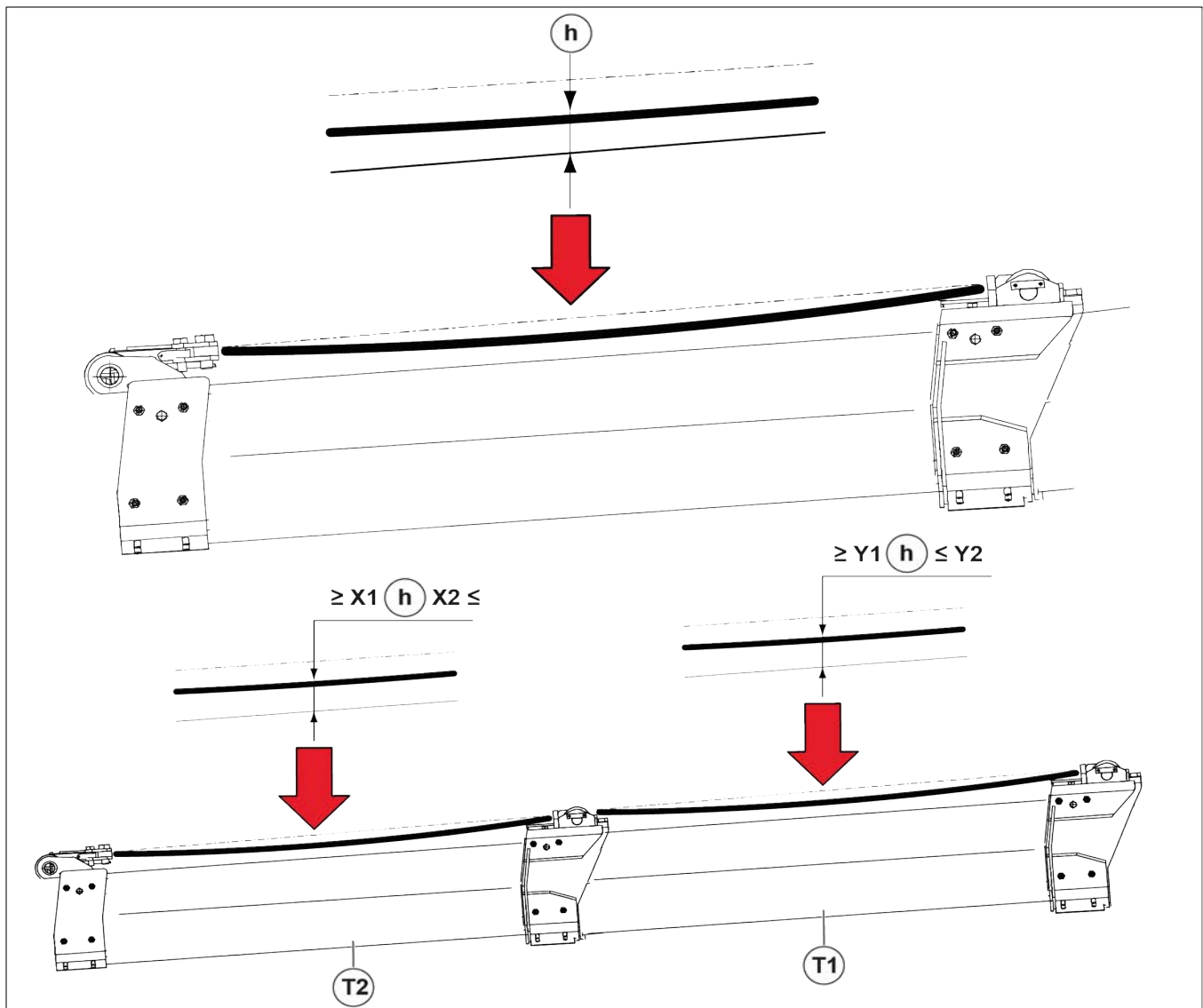


Figure 169: Chain tension control T1 - T2

Table 100. Chain registration value table

	MRT 2570 MRT-X 2570	MRT 3060 MRT-X 3060	MRT 3570 MRT-X 3570	MRT 3570 ES MRT-X 3570 ES
1st extension boom (T1)	mm - in			

4.

MAINTENANCE

Minimum size	Y1	≥	125 - 4,9
Maximum size	Y2	≤	155 - 6,1
2nd extension boom (T2)			mm - in
Minimum size	X1	≥	105 - 4,1
Maximum size	X2	≤	135 - 5,3
3rd extension boom (T3)			mm - in
Minimum size	Z1	≥	75 - 2,9
Maximum size	Z2	≤	105 - 4,1

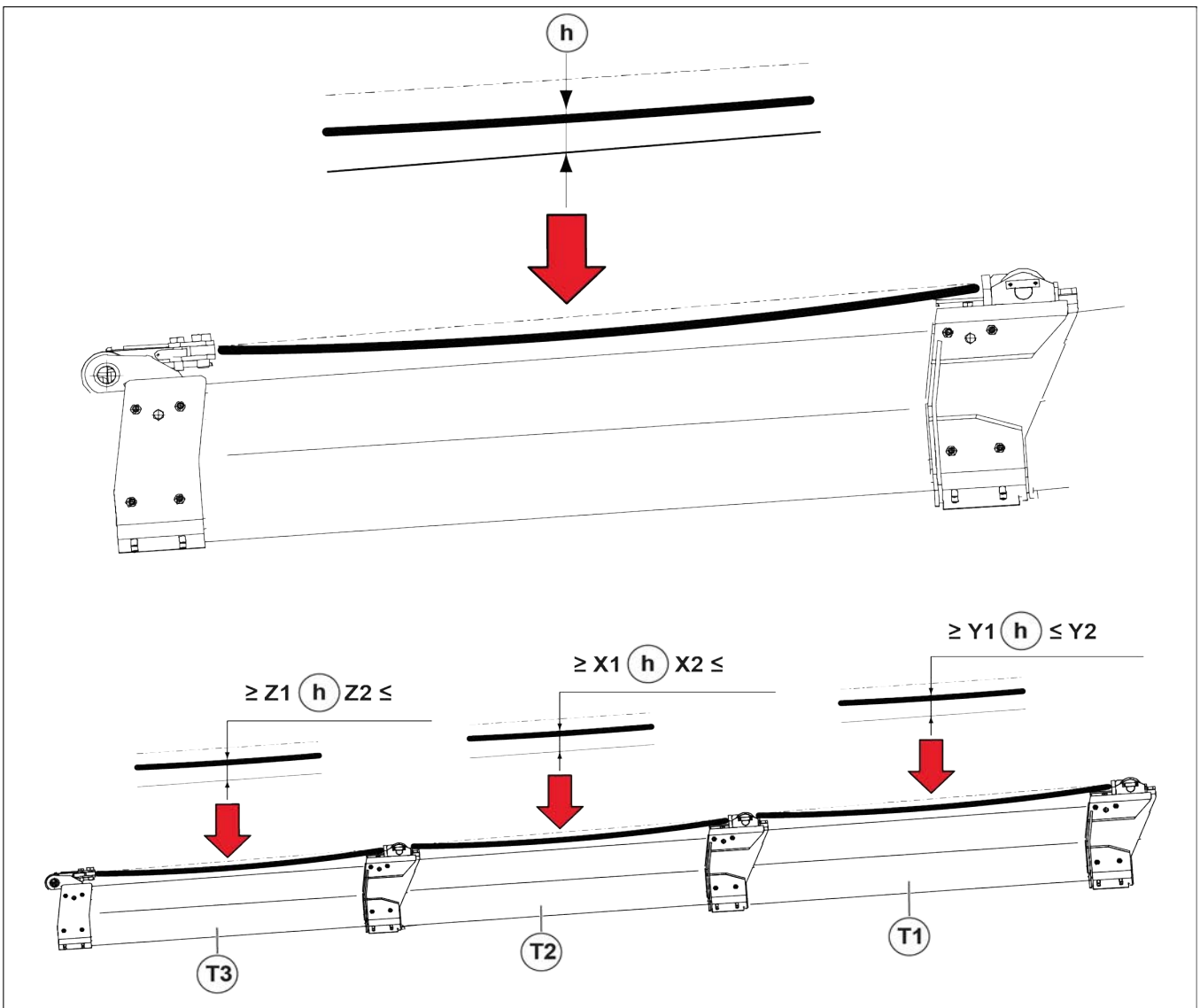


Figure 170: Chain tension control T1 - T2 - T3

Registering the tension of the chains

Proceed to adjust the tension of the chains by acting with a special key on the tie rods on the boom (extension chains) (1).

If the play on the chains is excessive it may happen that the arm extensions do not retract completely.

Check and adjust if necessary the internal chain tie rods (2) for correct retraction of the extensions.

⚠ CAUTION

If the problem persists, consult your agent or dealer.

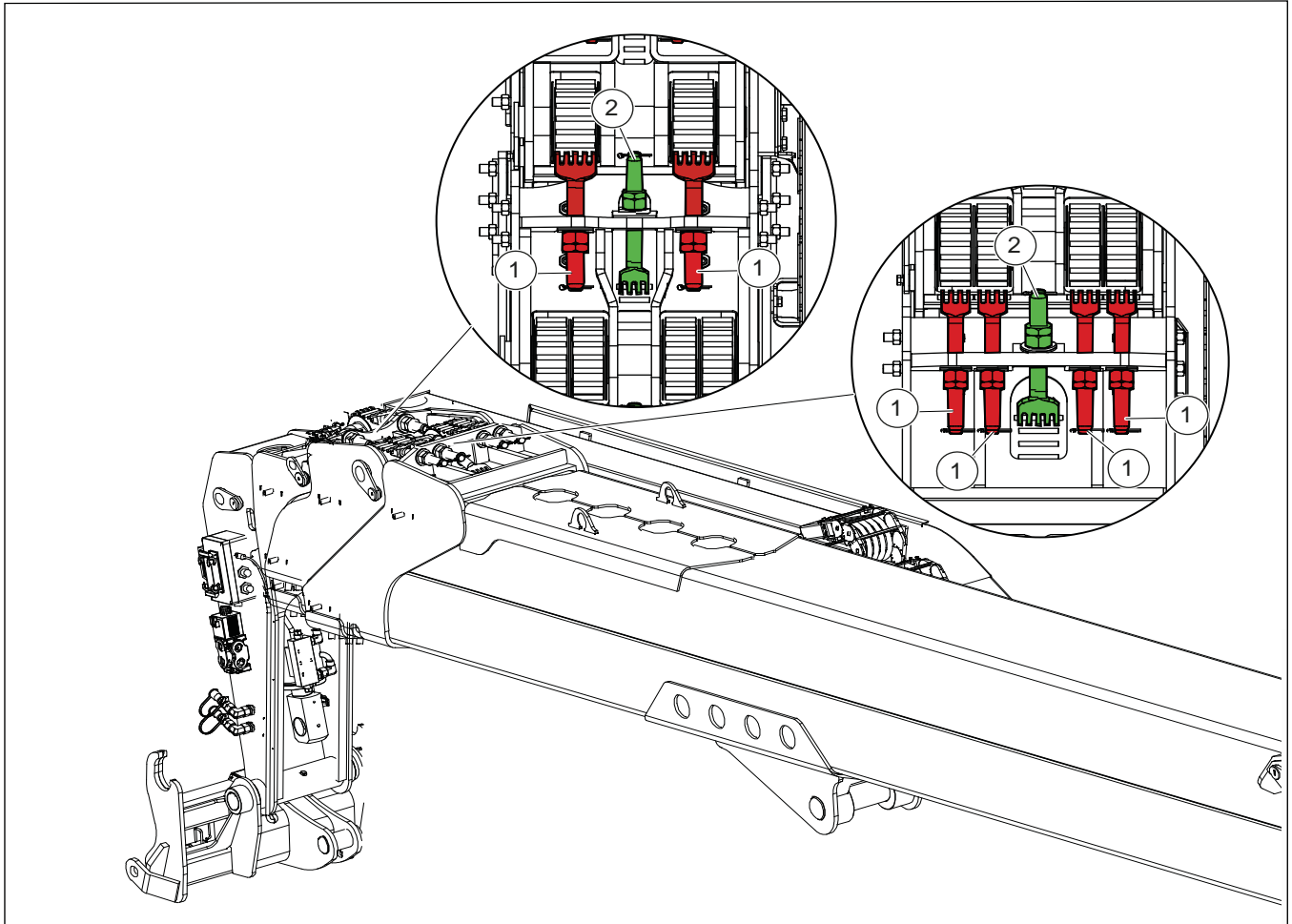


Figure 171: Adjustment of the tension of the chains T1 - T2

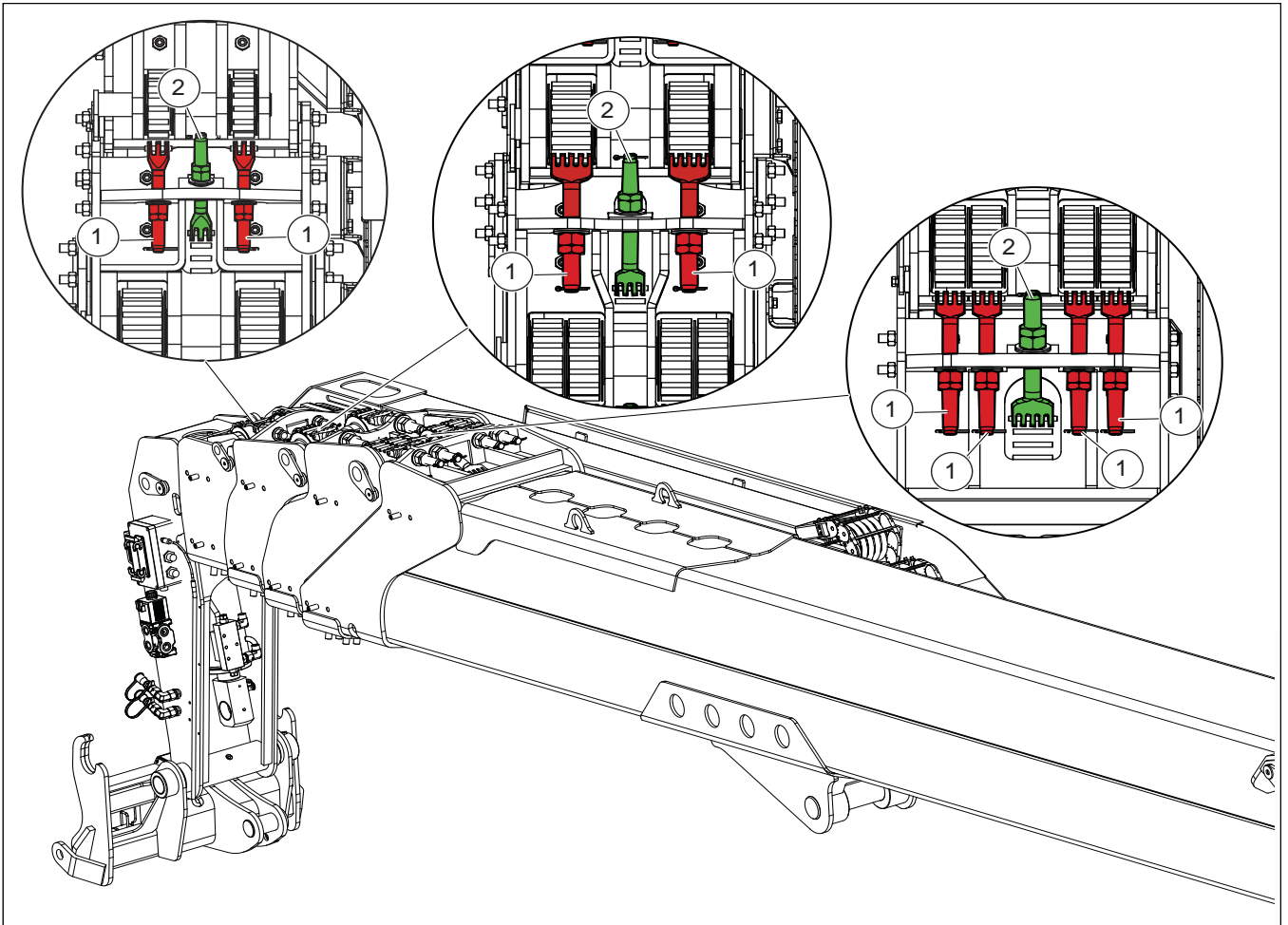


Figure 172: Adjustment of the tension of the chains T1 - T2 - T3

4.6. EVERY 500 HOURS OF OPERATION OR EVERY 6 MONTHS

4.6.1 HYDRAULIC OIL CONTAMINATION CHECK

MANITOU offers a hydraulic oil analysis kit that can allow you to extend the recommended period of periodic maintenance (2000 hours). In this case it is recommended to perform a hydraulic oil analysis every 500 hours of operation or 1 year.

The oil analysis kit also allows to validate the quality of the oil to reach the 2000 hour expiry in the case of specific uses that generate stress on the hydraulic circuit: extreme environmental conditions, use of attachments that require enormous hydraulic flow (sweeper, mixer).

- Order an oil analysis kit from your dealer.

- Once you have received the kit, take a sample and follow the recommendations indicated inside the kit itself.
- Keep the analysis report or change the hydraulic oil according to the results.

Oil analysis kit (MANITOU reference: 958162).



Figure 173: Hydraulic oil contamination check

4.6.2 REPLACING THE HYDROSTATIC PUMP OIL FILTER (TRANSMISSION)

⚠ WARNING

Danger of intoxication and injury

Contact with hydraulic fluid is harmful to health (e.g. eye, skin and tissue damage, poisoning by inhalation).

While working with hazardous materials (for example, hydraulic fluids), always wear protective gloves and goggles.

Place the telehandler on a flat surface and stop the three-phase motor.

Replace the filter

To replace the filter cartridge and filter gasket:

- Loosen and remove the filter housing (4) from the filter head (1).
- Remove the used filter cartridge (3) from the filter housing (4).
- Check the filter head and filter housing for damage, wear and contaminants.
- Insert the new filter cartridge (3) into the filter housing (4).
- Check the O-ring and O-ring groove for damage, wear, or contaminants.
- Replace the O-Ring (2) with a new one. Lightly grease the O-ring.

- Screw the container filter (4) onto the filter head (1). Tighten the filter housing (4) with 45 Nm / 4.58 kgf-m.

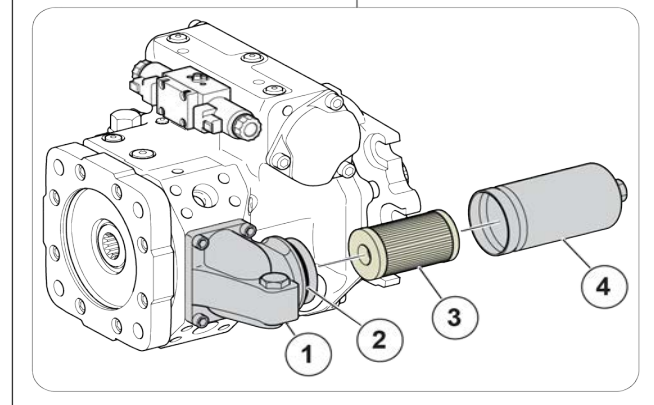
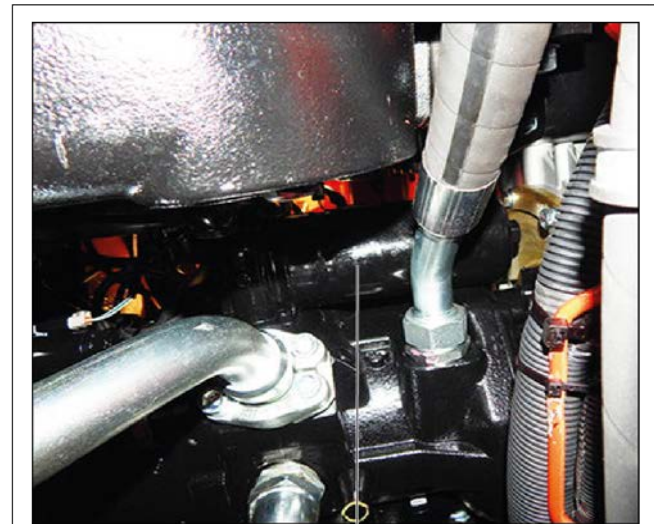


Figure 174: Replacing the hydrostatic pump oil filter (transmission)

4.6.3 REPLACING THE HYDRAULIC OIL FILTER CARTRIDGE (DRAIN)

- Remove the tank compartment top panel (1) to access the hydraulic oil drain filter cartridge.
- Loosen the 4 fixing screws (2) of the filter cover (3). Remove the used cartridge (4) and replace it with a new one with the same characteristics (4).
- Refit the filter cover (3) and tighten the 4 fixing screws (2).
- Refit the upper panel (1) of the fuel tank compartment.

⚠ DANGER

Before screwing the filter cover (3) back on, check that the cartridge (4) is fitted correctly.

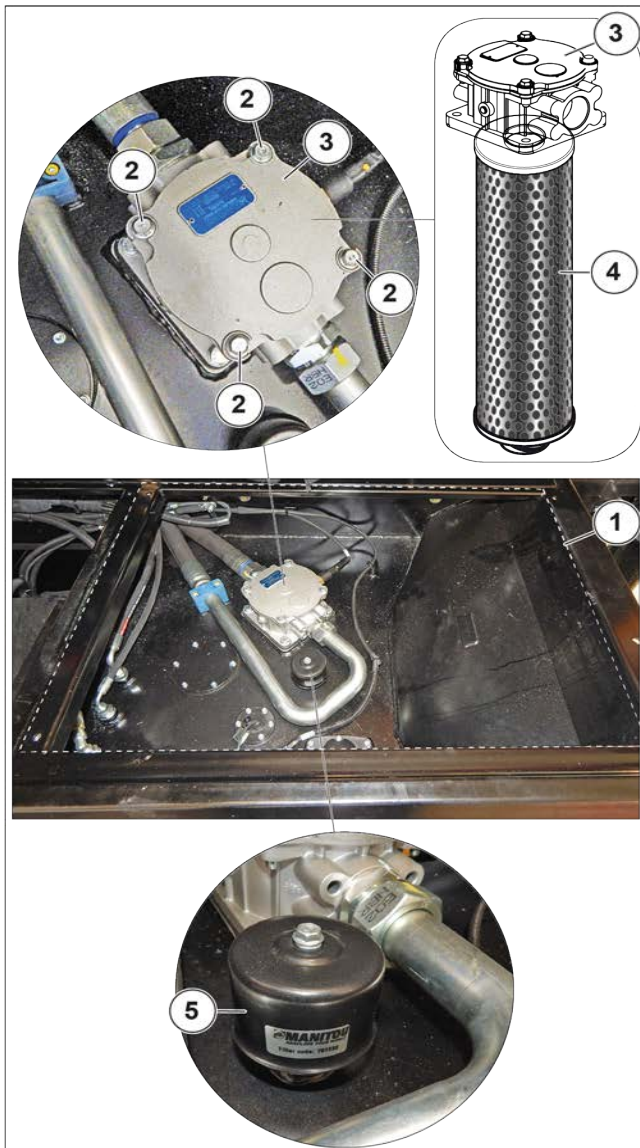


Figure 175: Replacing the hydraulic oil filter cartridge (drain)

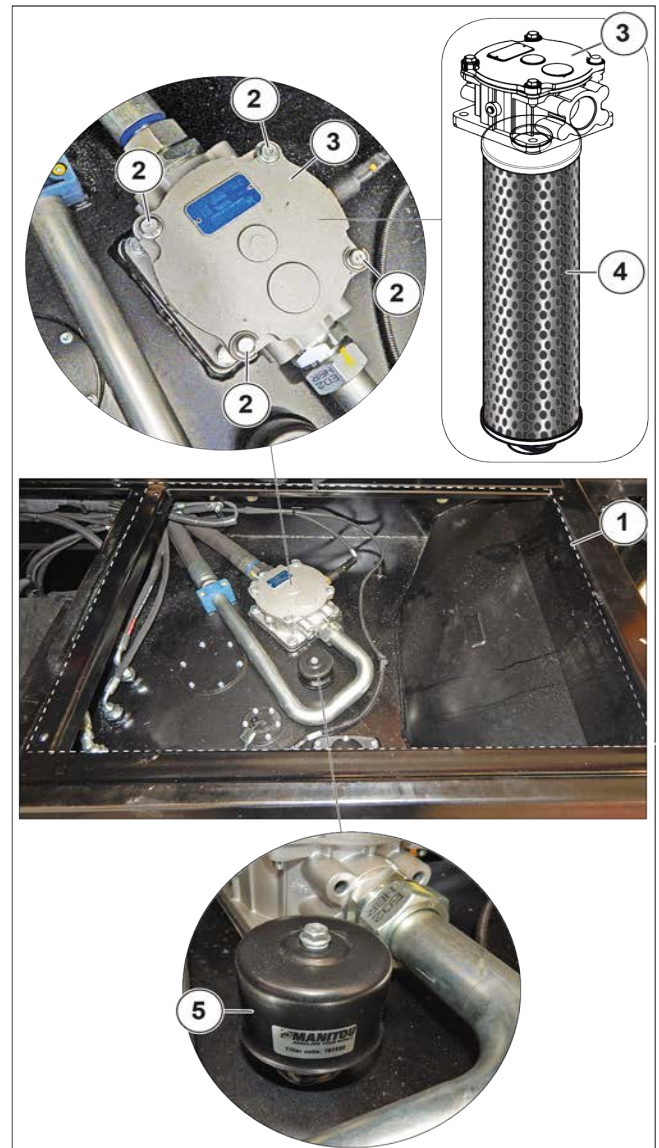


Figure 176: Replacing the hydraulic oil breather

4.6.4 REPLACING THE HYDRAULIC OIL BREATHER

- Remove the upper panel (1) of the tank compartment to access the breather (2).
- Unscrew the breather (5) on the hydraulic oil tank and replace it with a new one with the same characteristics.
- Fit the new breather (5) tightening it by hand.
- Refit the upper panel (1) of the fuel tank compartment.

4.6.5 FIFTH WHEEL AND TURRET FIXING BOLTS CHECK

⚠ DANGER

Raise the telescopic boom and place the safety wedge on the rod of the lifting cylinder.

- Place the telehandler on a flat surface, without load and stress from external forces.
- Stop the three-phase motor.
- Visually check the correct tightening of the fifth wheel and turret bolts (2). In case of anomalies, tighten the bolts according to the tightening torque values: 450 Nm / 45.8 kgf.

To tighten the fifth wheel bolts (2) that secure it to the chassis, it is necessary to pass through the holes above the turret (1a). Remove the caps (1) to access the bolts (2).

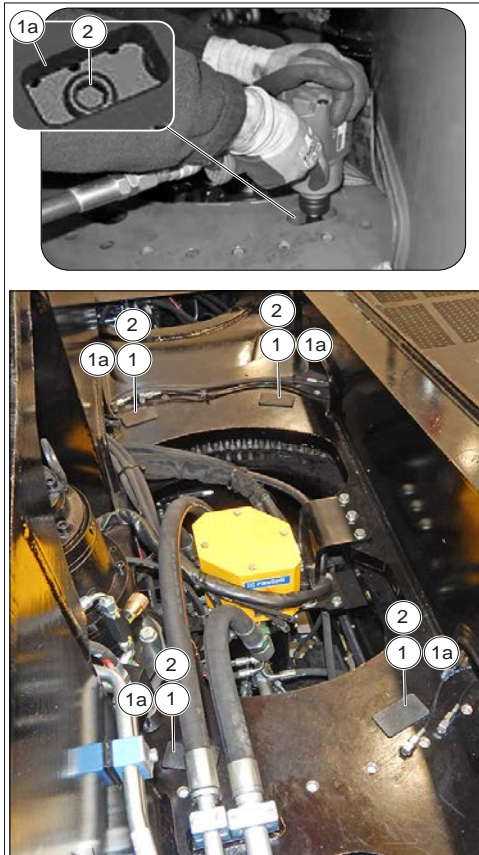


Figure 177: Fifth wheel and turret fixing bolts check

4.6.6 CABIN VENTILATION FILTERS CHECK

1. Stop the engine.
2. Remove the air intake (1) fixed on the cover behind the cabing to access the primary (2) and secondary (3) ventilation filters.
3. Remove the grille (4) that protects the filters (2 and 3) by unscrewing the knob (5).
4. Remove the primary filter (2).
5. Remove the secondary filter (3) by pulling it from the flap (3a).
6. Then clean the filters with a jet of compressed air.
7. Check the condition of each filter (2 and 3) and replace it if necessary.
8. Reposition the secondary filter (3) and then the primary filter (2) in its seat.
9. Refit the grille (4) that protects the filters (2 and 3) locking it by screwing the knob (5).
10. Refit and secure the air intake (1) on the cover behind the cabin.

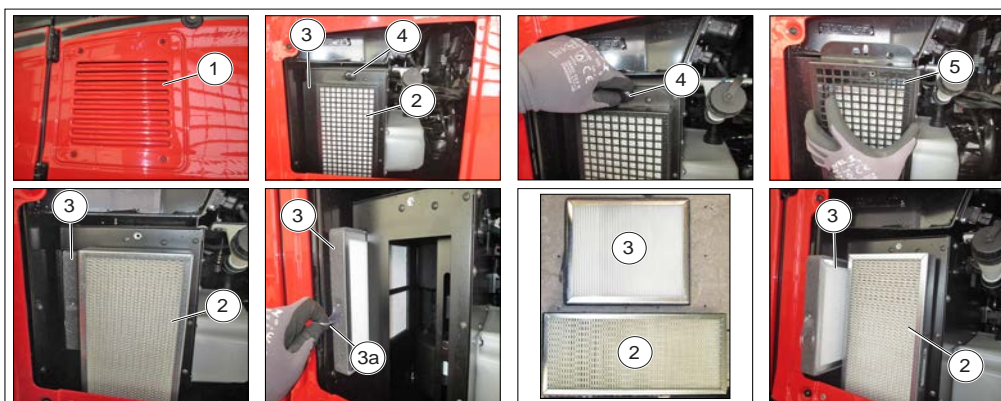


Figure 178: Cabin ventilation filters check

4.6.7 FORKS WEAR CHECK

Contact your dealer.

4.7. EVERY 1000 HOURS OF OPERATION OR EVERY YEAR

4.7.1 FILTER AND THREE-PHASE MOTOR OIL CHANGE

⚠ WARNING

High temperature risk

Change the oil only with the engine at operating temperature. Place the telehandler on a level surface.

DRAIN THE ENGINE OIL

⚠ DANGER

Dispose of the engine oil and filter in accordance with the legal regulations in force in the place where the engine is used.

- Open the engine cover.
- Remove the lower crankcase (1) from the engine compartment.
- Place a suitable collection container (6) under the drain screw (2) on the underside of the oil pan. Carefully unscrew the drain plug (2) and drain the oil from the hole (2a).
- Remove the filler cap (3) to make it easier to drain the oil.
- Screw the drain screw (2) back with a new sealing ring and tighten it:
 - Tightening torque: (39.8 - 47.0 ft-lb) (53.9 - 63.7 Nm, 5.5 - 6.5 kgf-m).
- Properly dispose of used oil.

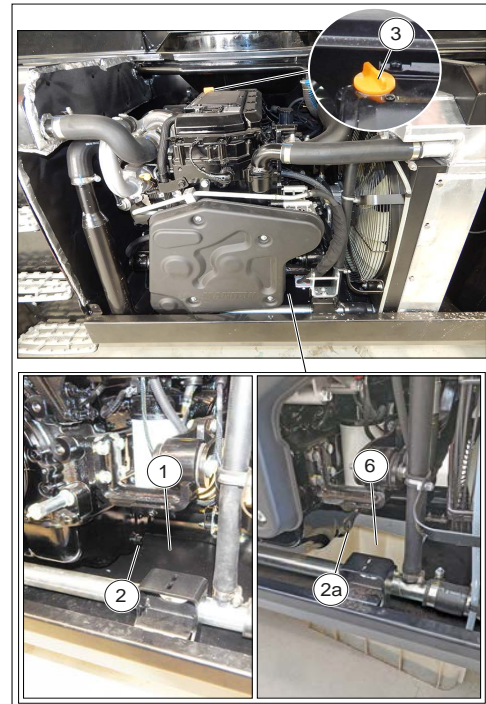


Figure 179: Engine oil drain

REPLACE THE ENGINE OIL FILTER

After draining the engine oil:

- remove the engine oil filter (1) by turning it counterclockwise (2) using a filter wrench.
- To install the new engine oil filter:
 1. Clean the mounting surface of the bracket (3) of the engine oil filter;
 2. Lightly apply clean engine oil to the gasket surface of the new oil filter. Manually install the new engine oil filter (4) by turning it clockwise (5) until it contacts the mounting surface. Tighten to the prescribed torque (21.0 - 25.0 N m) (2.2 - 2.6 kgf-m) or one more turn using the filter wrench.

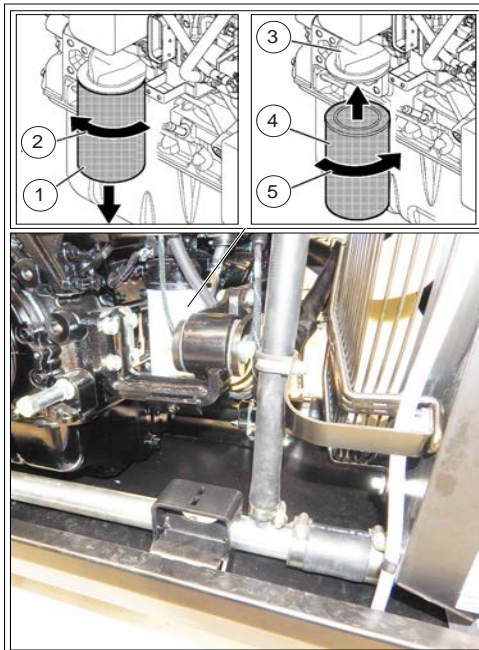


Figure 180: Engine oil filter replacement

FILLING WITH ENGINE OIL

- Remove the engine oil filler cap (1).
- From the filler neck (3a), through a funnel (2) add the indicated quantity of lubricating oil. When loading oil into the engine, add it gradually. As a guideline, add no more than 1.2 L - 0.26 US gal of oil at a time, at intervals of 30 seconds or more. If oil is added all at once, the lubricating oil could enter the crankcase and combustion chambers with the risk of consequent engine damage.
- Run the engine for five minutes to warm it up and check for lubricating oil leaks.
- When the engine is warm enough, turn it off and let it sit for ten minutes.
- Check the lubricating oil level (3).
- If necessary, add more engine oil until the level is between the upper and lower lines on the dipstick (2).
- Refit the lower engine compartment cover (4).

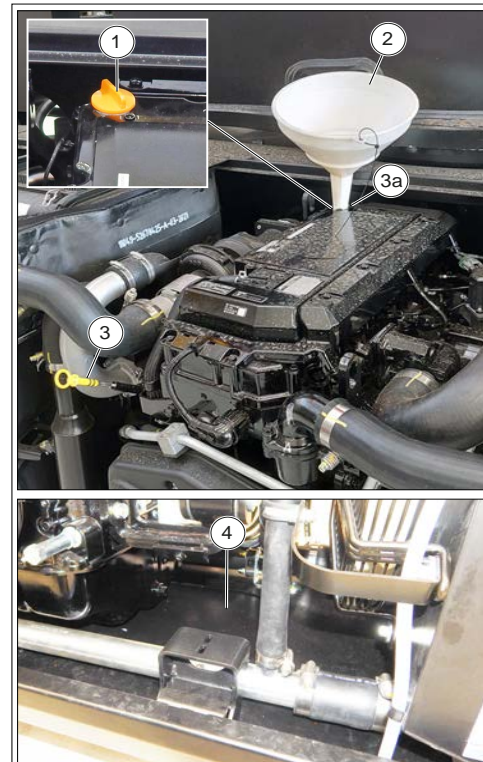


Figure 181: Filling with engine oil

4.7.2 FRONT AND REAR AXLE DIFFERENTIAL OIL CHANGE

Place the telehandler on a level surface with the engine stopped and the differential oil still warm.

- Place a container under the drain plug (1) and let the oil drain out.
- Remove the level and filler plug (2) to ensure complete emptying.
- Fit and tighten the cap (1). Fill the oil through the filling hole (2).
- The level is correct when the oil emerges from the level hole (2).
- Check for leaks from the drain plugs (1).
- Fit and tighten the level and filler plug (2).

Do the same for the front and rear differential.

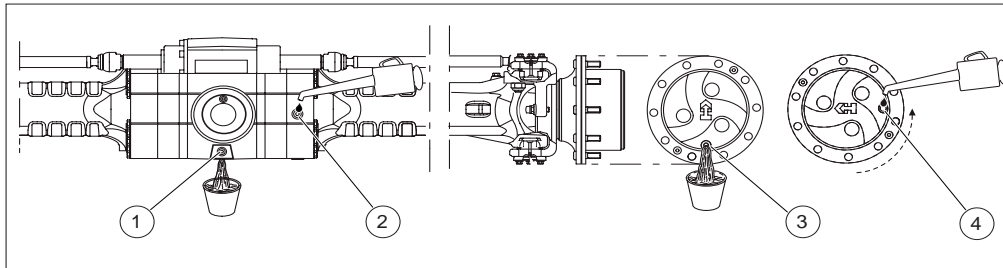


Figure 182: Front and rear axle differential oil change

4.7.3 CHANGE FRONT AND REAR AXLE FINAL REDUCER OIL

Place the telehandler on a flat surface with the engine stopped and the gearbox oil still warm.

- Make sure that the drain and level plug (3) of the reducer is oriented downwards to allow the oil to drain better.

- Place a container under the drain plug (3) and unscrew it. Let all the oil drain out. Bring the outlet hole to a horizontal position (4) in order to subsequently check the oil level.
- Refill with new oil through the level hole (4). The level is correct when the oil emerges from the hole (4).
- Replace the drain plug 3 and tighten it. Repeat this for each final drive.

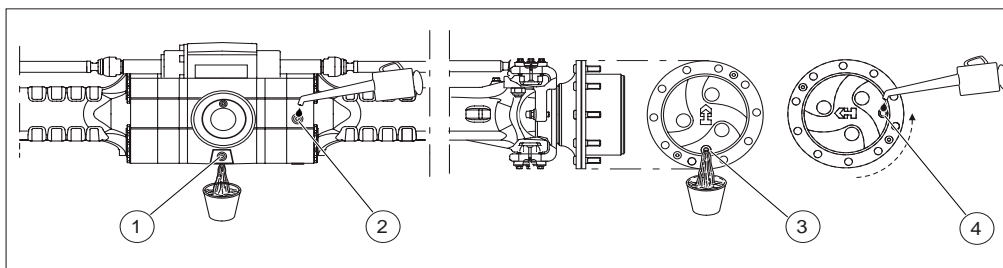


Figure 183: Change front and rear axle final reducer oil

4.7.4 GEARBOX OIL CHANGE

Place the telehandler on a level surface with the engine stopped and the gearbox oil still warm.

- Place a container under the drain plug (1).
- Remove the drain plug (1) and let the oil drain out.
- Remove the level and filler plug (2) to ensure complete emptying. Put back and tighten the cap (1).
- Fill with new oil through the level and fill hole (2). The level is correct when the oil comes out of the hole.
- Put back and tighten the level and filler plug (2). Check for any leaks from the drain plug.

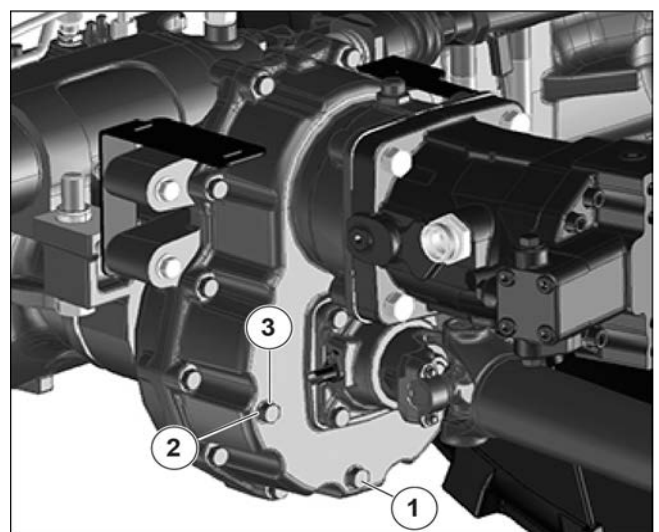


Figure 184: Gearbox oil change

4.7.5 GEARBOX OIL CHANGE AND SPEED SENSOR CLEANING

only for MRT-X 3570, MRT-X 3570 ES

Place the telehandler on a level surface with the engine stopped and the gearbox oil still warm.

Oil drain

- Place a container under the drain plug (1).
- Unscrew the drain plug (1) and let the oil drain out.
- Remove the filler cap (2) to ensure complete emptying.
- Refit and tighten the drain plug (1).

Clean the speed sensor (4)

- Loosen the screw and remove the speed sensor (4a).

- Loosen the screw and remove the speed sensor (4b).
- Install the speed sensor, and tighten the screw (4c) with a torque of (9.5 - 11 Nm / 1 kgf-m - 1.2 kgf-m).
- Install the speed sensor, and tighten the screw (4d) with a torque of (9.5 - 11 Nm / 1 kgf-m - 1.2 kgf-m).

Oil filling

- Fill the gearbox pan with new hydraulic oil and with the correct amount of oil through the filling hole (2a).
- Refit the filler cap (2).
- When the oil temperature is hot, check the oil level and top up if necessary.
- The oil level is correct when the visual indicator is full (3).
- Check for leaks from the drain plug (1).

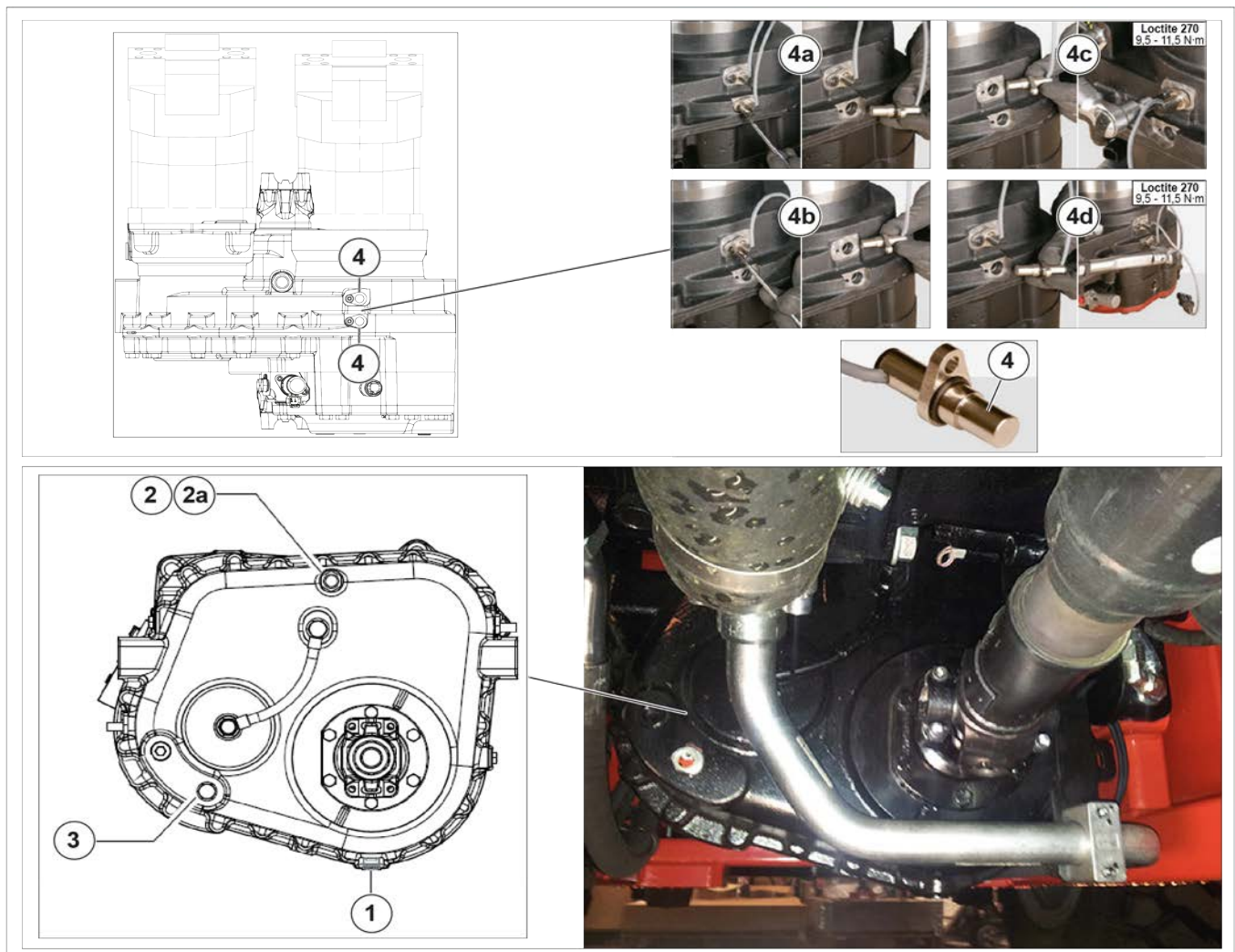


Figure 185: Gearbox oil change and speed sensor cleaning


4.7.6 DRY AIR FILTER CARTRIDGE REPLACEMENT

In case of use in a very dusty atmosphere, the cartridge replacement intervals must be reduced (up to 250 hours in a very dusty atmosphere).

⚠ DANGER

Replace the cartridge in a clean environment and with the heat engine off. Never use the telehandler with a disassembled or damaged cartridge. If the air filter service



indicator comes on , replace the cartridge as soon as possible (maximum 1 hour). Never use the telehandler without the air filter, or with a damaged air filter.

- To access the engine air filter box (5), lift the panel (6) above the ladder on the engine hood side, unscrewing the screws that secure it.
- Release the blocks and remove the cover (1).
- Carefully rotate the cartridge (2) forward to minimize dust escaping.
- Remove the cartridge (3).
- Do not remove the safety cartridge.
- Carefully clean the following parts with a damp, clean, lint-free cloth.
 - The inside of the filter and lid.
 - The inside of the filter inlet pipe.
 - The seats of the gaskets in the filter and in the cover.
- Check the condition and fastening of the connecting pipes to the heat engine, and the connection and conditions of the filter clogging indicator.
- Before assembly, check the condition of the new filter cartridge (4).
- Tilt the cartridge about 5° forward, insert it into the filter and position it by pressing on the edge of the cartridge and not in the center.
- Refit the cover and check the correct locking of the clips. The cover must be installed without difficulty, otherwise check the correct positioning of the cartridges in the filter.

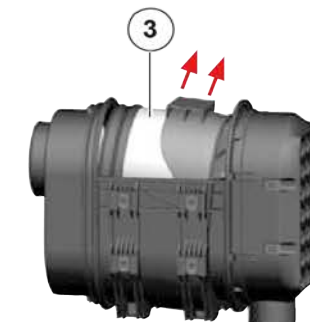
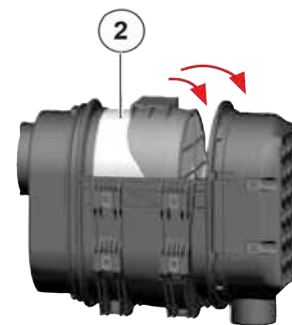
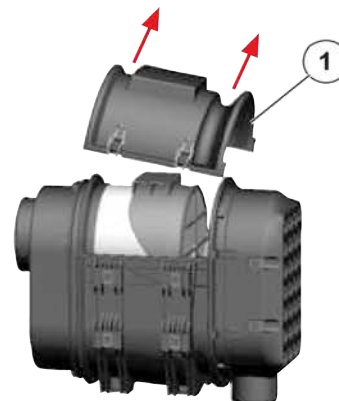
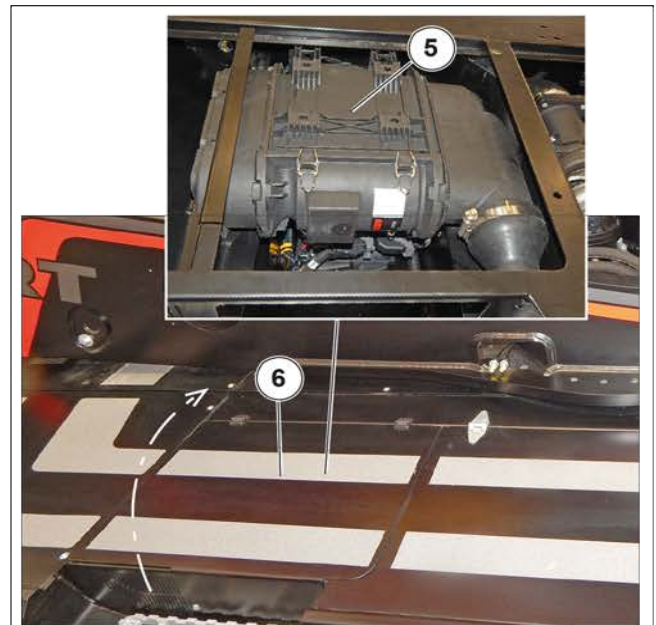


Figure 186: Dry air filter cartridge replacement 9643260EN-USMG(A/2021)

4.7.7 CLEANING THE FUEL TANK

⚠ DANGER

Fuels are highly flammable, so the risk of fire is high. During the handling of fuels, it is forbidden to smoke, approach naked flames and unprotected light and carry out interventions that cause the formation of sparks.

- Place the telehandler on a horizontal surface, lower the stabilizers as far as possible to increase the ground clearance of the machine.
- Stop the three-phase motor.
- Turn the ignition key to position "0".
- Close the water separator fuel valve.
- Open the access door (1) to the diesel filler neck (3).
- Unscrew the tank filler cap (2) then place a suitable container under the drain plug (4) and unscrew the cap.
- Let the fuel flow out of the hole (5) and pour 10 liters of clean fuel through the filler neck (3) to eliminate any impurities.
- Refit and tighten the drain plug (4).
- Fill the tank with clean fuel and replace the fill cap (2).
- Open the water separator fuel valve.
- Prime the fuel system.

⚠ DANGER

Do not fill the tank completely. As it warms up, the fuel expands. It could overflow from the tank.

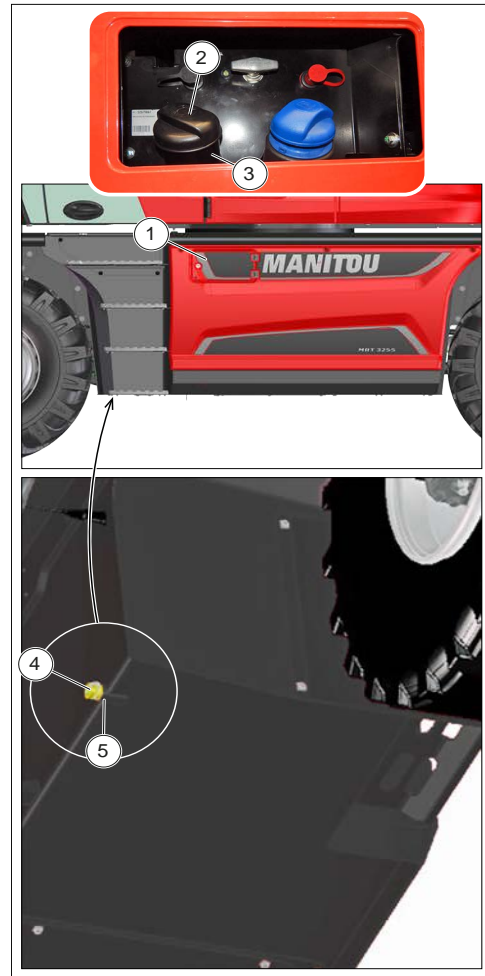


Figure 187: Cleaning the fuel tank

4.7.8 FUEL PRE-FILTER REPLACEMENT

⚠ DANGER

Thoroughly clean the outside of the pre-filter as well as its holder to prevent dust from entering the system. Tighten the fuel pre-filter by hand only and lock it a quarter of a turn.

- Place the telehandler on a horizontal surface and stop the heat engine.
- Turn the ignition key to position "0".
- Open the engine cover and locate the fuel pre-filter (14).
- Place a container under the water separator to collect the drained water and contaminants.
- Turn the fuel valve (1) to the (2) CLOSED position.
- Loosen the drain valve (3) to drain the fuel and contaminants.

4.

MAINTENANCE

- Turn the water collection cup (4) counterclockwise (5) and remove the filter element (6). Disconnect the drain pan sensor lead before removing it, being careful not to spill fuel.
- Clean up immediately if fuel is spilled.
- Remove the float (7) from the water collection pan. Pour the contaminants into the container and dispose of properly.
- By hand or using a pliers type filter wrench, turn the filter element counterclockwise (8) to remove it from the bracket (9). When using a filter removal wrench, apply it to the resin part (10) on the filter element.
- Clean the inside of the water pan with new diesel fuel.
- Replace the o-ring of the water collection pan with a new one.
- Clean the mounting surface of the bracket filter element and apply a thin layer of diesel fuel to the gasket surface of the new filter element.
- Install a new filter element onto the bracket and tighten it clockwise (11) hand tight. Do not use any tools.
- Install a new O-Ring (12) on the water collection cup, attach it to the filter element with the float, and tighten it clockwise (13) by hand tightening. Do not use any tools.
- Manually close the drain valve. Reconnect the sensor cable.
- Open the fuel valve.
- Prime the fuel system. See "Priming the Fuel System".

⚠ DANGER

Be sure to prime. If air is mixed with fuel, seizure of the fuel pump and injector may occur.

- Check for fuel leaks.

PRIMING THE FUEL SYSTEM

- Turn the ignition key to position "I" (electrical contact) and hold it in that position for 10-15 seconds. This will allow the fuel system's electric pump to prime the fuel.
- Never use the starter to crank the engine to prime the fuel system. This could cause the starter motor to overheat and damage the coils, pinion and/or ring gear.

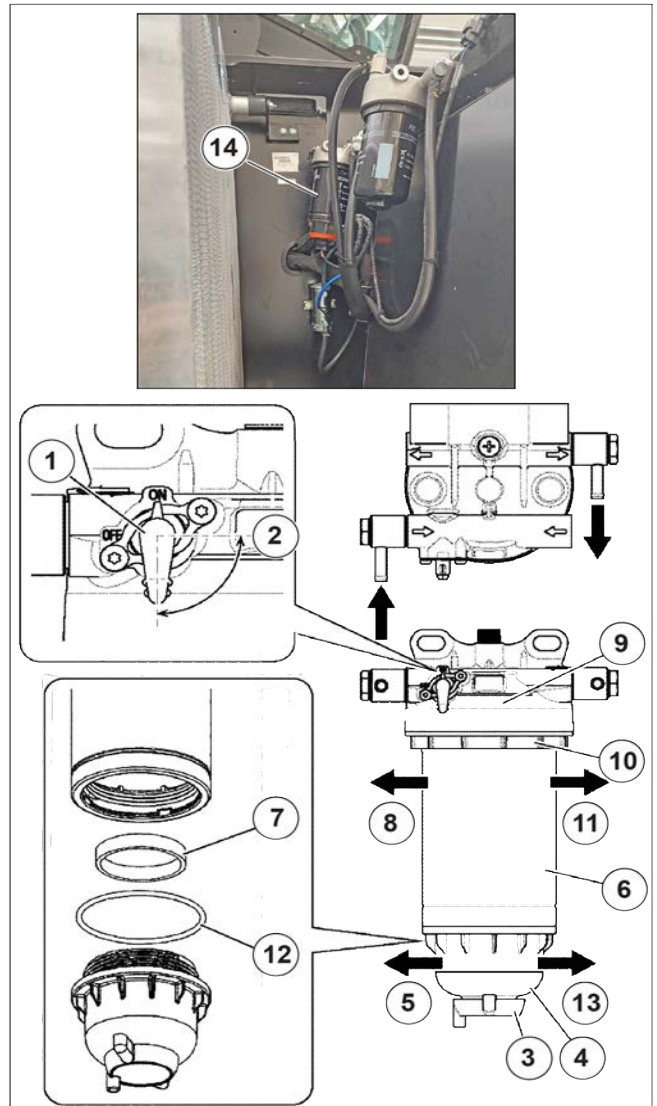


Figure 188: Fuel pre-filter replacement

4.7.9 FUEL FILTER REPLACEMENT

⚠ DANGER

Thoroughly clean the outside of the filter as well as its holder to prevent dust from entering the system.

- Place the telehandler on a horizontal surface, stop the three-phase motor and let it cool down.
- Open the engine cover and locate the fuel filter (5).
- Close the water separator fuel valve.
- By hand or using a pliers type filter wrench, turn the fuel filter counterclockwise (1) to remove it. When using a filter removal wrench, apply it to the resin part (2) on the filter element.

- Remove the filter, hold it carefully so as not to spill fuel. Wipe up the spilled fuel.
- Clean the filter mounting surface and apply a small amount of diesel to the gasket of the new fuel filter.
- Screw and secure a new fuel filter to the head (3) by manually turning the filter clockwise (4) and tighten it until it hits the head (3). The tightening torque is $30 \text{ Nm} \pm 5 \text{ Nm} - 3 \text{ kgf-m} \pm 0.5 \text{ kgf-m}$.
- Open the water separator fuel valve.
- Prime the fuel system.
- Check for fuel leaks.

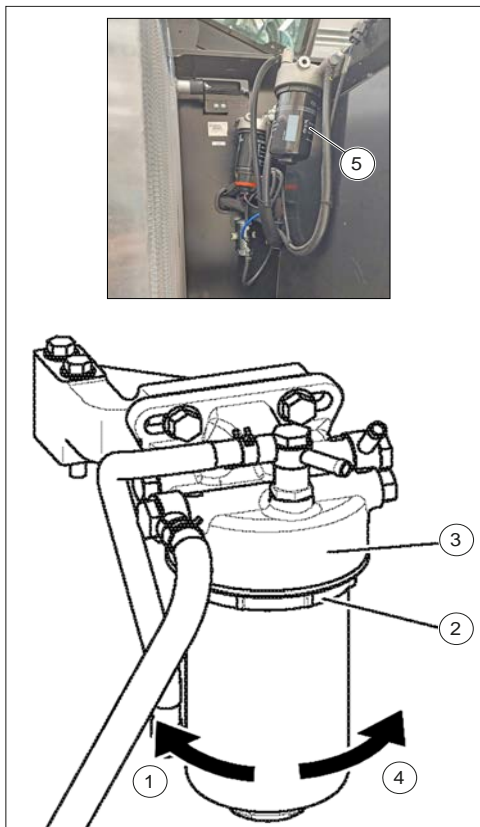


Figure 189: Fuel filter replacement

4.7.10 FUEL PUMP FILTER REPLACEMENT

- Place the telehandler on a horizontal surface, stop the three-phase motor and let it cool down.
- Open the engine cover and locate the fuel pump filter (1).
- Close the water separator fuel valve.
- Using a 17mm / 0.66in hex wrench (2) unscrew the fuel pump filter cover (3) and extract the filter cartridge (4).

- Clean the filter cartridge (4) with a jet of air and check that it is not damaged. If necessary, replace it with one of the same characteristics.
- Otherwise reinstall in the fuel pump filter (1).
- Close the lid (3).
- Reopen the water separator fuel valve.

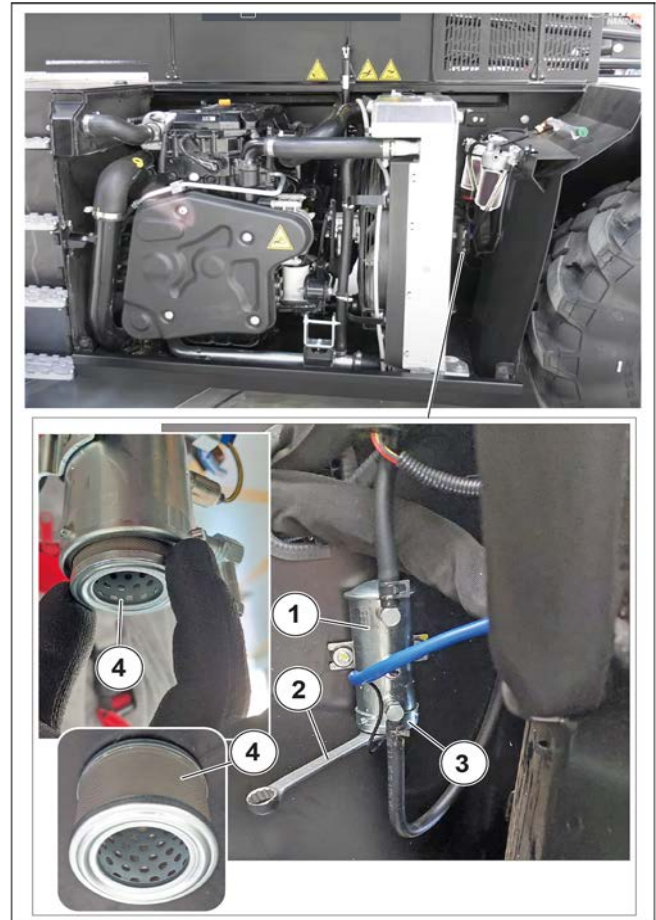


Figure 190: Fuel pump filter replacement

4.7.11 COOLANT REPLACEMENT

This series of operations must be carried out when necessary or at least once every 2 years when winter arrives. Place the telehandler on a level surface, with the heat engine off and cold.

⚠ DANGER

The three-phase motor does not contain any anti-corrosive elements and must always be filled with a minimum mixture of 25% ethylene glycol based antifreeze.

Coolant drain

4.

MAINTENANCE

Carry out work on the cooling system only if the coolant temperature is below 50° C.

- Open the engine cover.
- Open the access door (1) under the drain plug (2).



When disassembling the access panel, clean all around and remove any buildup of flammable materials.

- Slowly open the cap (3) of the coolant filler neck (4) on the radiator to relieve the excess pressure, then remove the cap (3).
- Place a container under the radiator drain plug (2) and unscrew it.
- Take the exhaust pipe located in the engine compartment (5).
- Place the end of the drain hose into the container and screw the hose (5) firmly onto the drain fitting (2).
- Allow the cooling circuit to drain completely, checking that the orifices do not clog.
- Check the condition of the rubber hoses and fixing clamps, replace the rubber hoses if necessary.
- Rinse the circuit with clean water and use a cleaning product if necessary.
- Remove, clean and replace the drain hose (5).
- Refit and tighten the radiator drain plug (2).

Refilling the coolant

- Slowly fill the circuit with coolant through the filler neck (4).
- Fill the cooling circuit level up to the center of the indicator (6) through the filler neck (4).
- Screw the radiator filler cap (3) back on.
- Run the engine at low speed for a few minutes.
- Check for any leaks.
- Check the level (6) and top up if necessary.
- Reinstall the access panel (1) and close the engine hood.

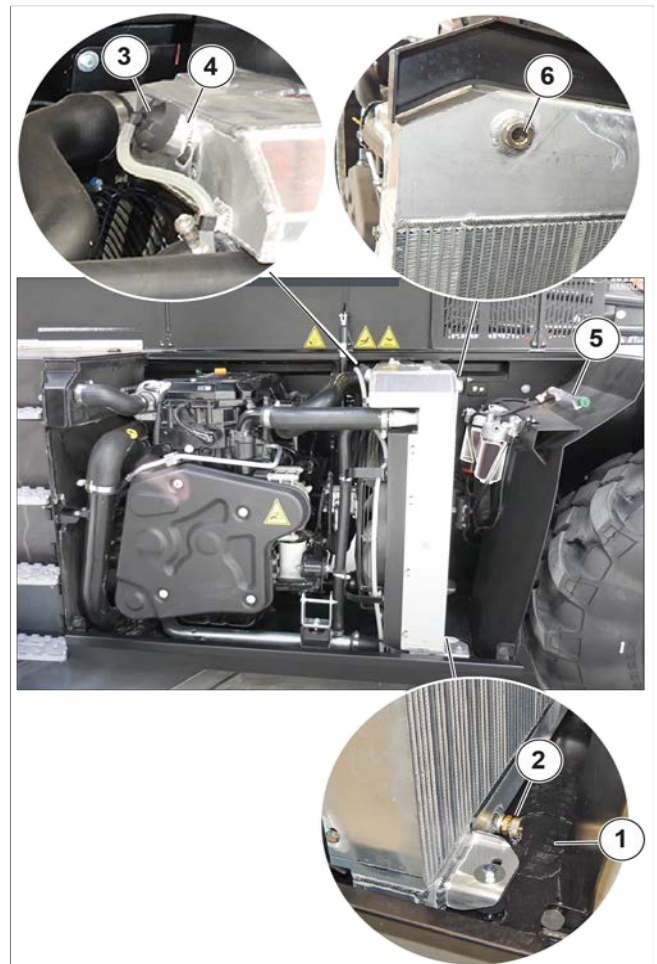


Figure 191: Coolant replacement

4.7.12 CABIN VENTILATION FILTERS REPLACEMENT

1. Stop the engine.
2. Remove the air intake (1) fixed on the cover behind the cabin to access the primary (2) and secondary (3) ventilation filter.
3. Remove the grille (4) that protects the filters (2 and 3) by unscrewing the knob (5).
4. Remove the primary (2) and secondary (3) filter by pulling it from the flap (3a) and replace them with new ones.
5. Reposition the secondary filter (3) and then the primary filter (2) in its seat.
6. Refit the grille (4) that protects the filters (2 and 3) locking it by screwing the knob (5).

- Refit and secure the air intake (1) on the cover behind the cabin.

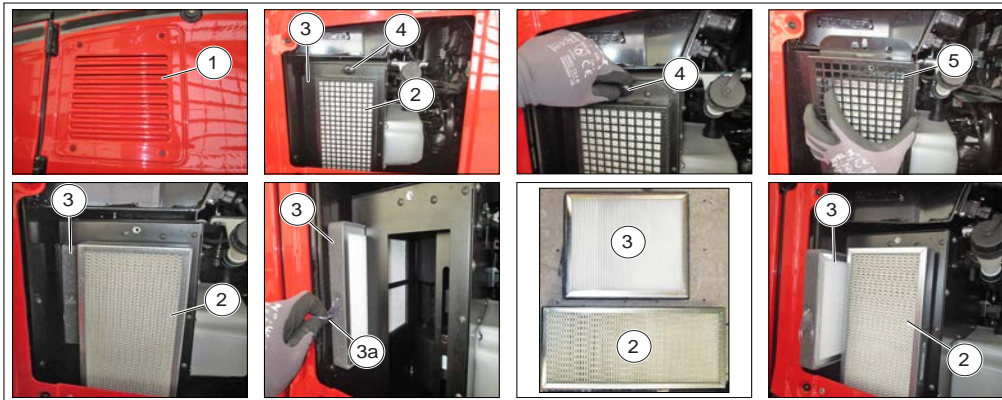


Figure 192: Cabin ventilation filters replacement

4.7.13 WEAR OF THE EXTERNAL TELESCOPIC BOOM CHAINS CHECK

(only for MRT 2260, MRT-X 2260, MRT 2660, MRT-X 2660)

On chains, wear manifests itself in various places.

- On the joints, which results in a stretching of the chain.
- On the profile of the plates for contact with the pulleys.
- On the surfaces of the plates and the axes protruding by contact with the jaws of the pulleys.

- On the alignment of the shoulders of the protruding axes.

Lengthening of the chains

For this operation, we recommend the use of the chain control ruler.

- Place the telehandler on the stabilizers, with the boom horizontal.
- Fully extend the telescopic booms and insist on the command for a few moments to tighten the chains well.
- If the wear is not likely to be uniform along the entire length, divide the chain into 4 equal parts, and check the center of each part using the ruler.

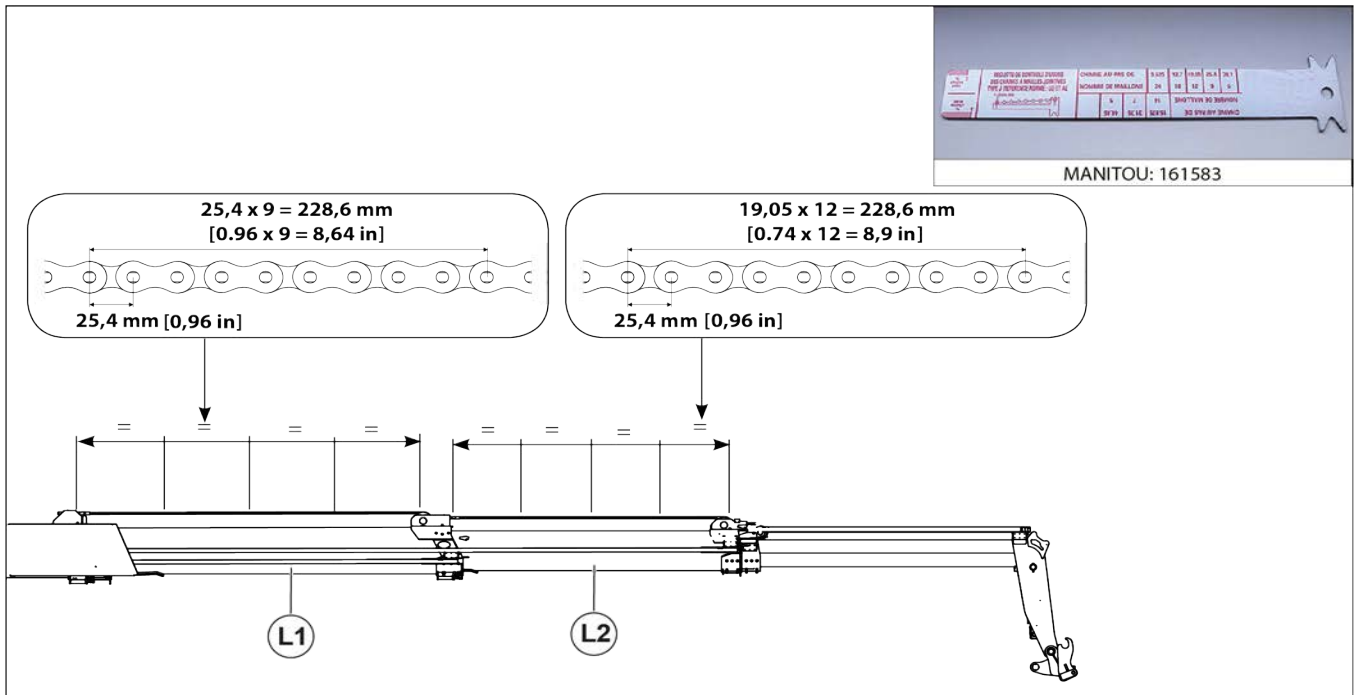


Figure 193: Wear of the external telescopic boom chains check

⚠ DANGER

Beyond the maximum value ($228.6 \text{ mm} + 2\% = 233.2 \text{ mm}$) [$8.9 \text{ in} + 2\% = 10.7 \text{ in}$], replace the pair of chains. Contact your dealer.

Wear of the profile of the plates

As for the lengthening of the chains, check the center of each equal part using a vernier gage.

⚠ DANGER

Beyond the mini value ($20.60 \text{ mm} - 2\% = 20.19 \text{ mm}$) [$0.81 \text{ in} - 2\% = 0.79 \text{ in}$], ($18 \text{ mm} - 2\% = 17.64 \text{ mm}$) [$0.7 \text{ in} - 2\% = 0.68 \text{ in}$], replace the pair of chains. Contact your dealer.

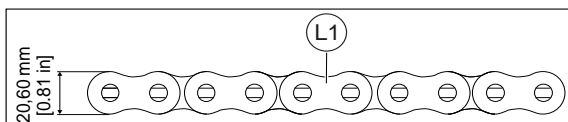


Figure 194: Wear of the profile of the plates 1

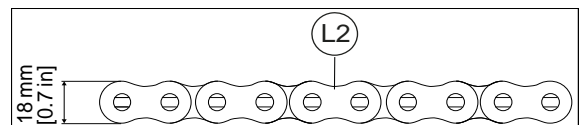


Figure 195: Wear of the profile of the plates 2

Wear of the protruding axles

As for the lengthening of the chains, check the center of each equal part using a vernier gage.

⚠ DANGER

Beyond the mini value ($44.15 \text{ mm} - 2\% = 43.26 \text{ mm}$) [$1.73 \text{ in} - 2\% = 1.69 \text{ in}$], replace the pair of chains. Contact your dealer.

In addition to wear, the high pressures between the profile of the plates and the pulleys can cause an upset of material which causes a blockage of the joints; also in this case replace the pair of chains.

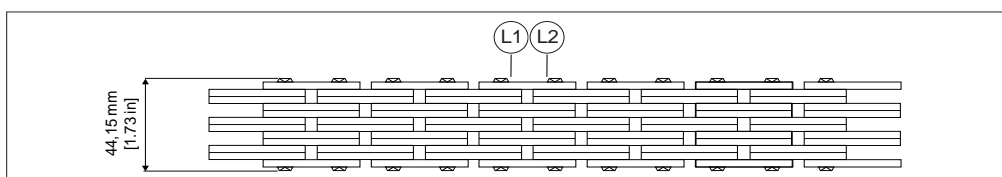


Figure 196: Wear of the protruding axles

Alignment of the shoulders of the protruding axes

Check the entire length of the chains.
Strong friction between the plates and the protruding axes can cause the latter to rotate in the outer plates with consequent coming out of the seat.
If the shoulders are not aligned in the longitudinal direction of the chain, replace the pair of chains (See your dealer).

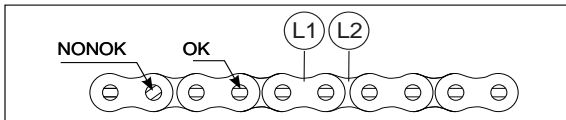


Figure 197: Alignment of the shoulders of the protruding axes

4.7.14 WEAR OF THE EXTERNAL TELESCOPIC BOOM CHAINS CHECK

(only for MRT 2570, MRT-X 2570, MRT 3060, MRT-X 3060, MRT 3570, MRT-X 3570, MRT 3570 ES, MRT-X 3570 ES)

On chains, wear manifests itself in various places:

- On the joints, which results in a stretching of the chain.
- On the profile of the plates for contact with the pulleys.
- On the surfaces of the plates and the axes protruding by contact with the jaws of the pulleys.
- On the alignment of the shoulders of the protruding axes.

Lengthening of the chains

For this operation, we recommend the use of the chain control ruler.

- Place the telehandler on the stabilizers, with the boom horizontal.
- Fully extend the telescopic booms and insist on the command for a few moments to tighten the chains well.
- If the wear is not likely to be uniform along the entire length, divide the chain into 4 equal parts, and check the center of each part using the ruler.

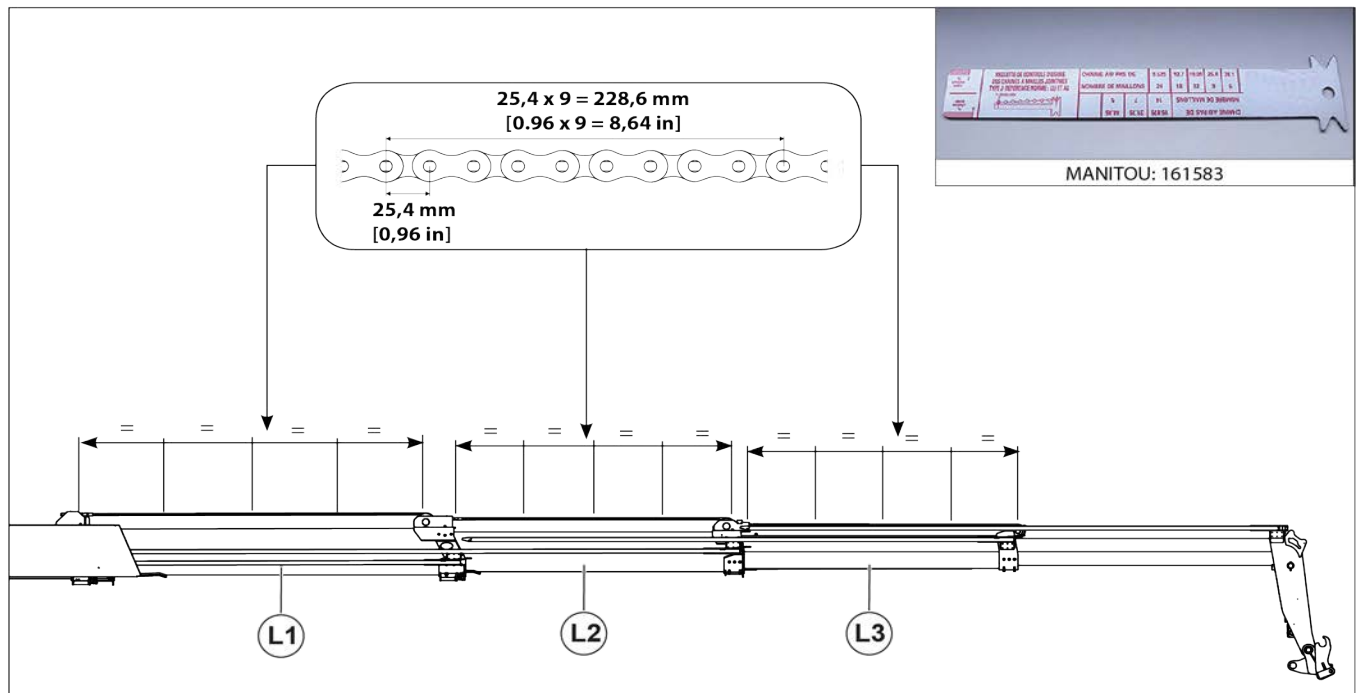


Figure 198: Lengthening of the chains

⚠ DANGER

Beyond the maximum value ($228.6 \text{ mm} + 2\% = 233.2 \text{ mm}$) [$8.64 \text{ in} + 2\% = 9.18 \text{ in}$], replace the pair of chains. Contact your dealer.

Wear of the profile of the plates

As for the lengthening of the chains, check the center of each equal part using a vernier gage.

⚠ DANGER

Beyond the mini value ($23.85 \text{ mm} - 2\% = 23.38 \text{ mm}$) [$0.93 \text{ in} - 2\% = 0.91 \text{ in}$], ($20.60 \text{ mm} - 2\% = 20.19 \text{ mm}$) [$0.81 \text{ in} - 2\% = 0.79 \text{ in}$], replace the pair of chains (See your dealer).

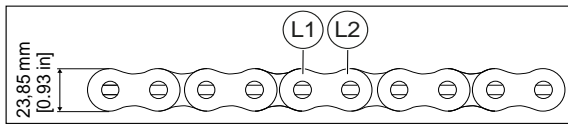


Figure 199: Wear of the profile of the plates 1

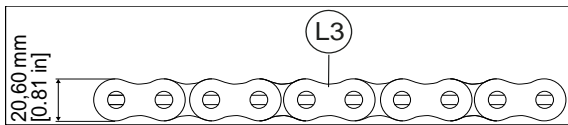


Figure 200: Wear of the profile of the plates 2

Wear of the protruding axles

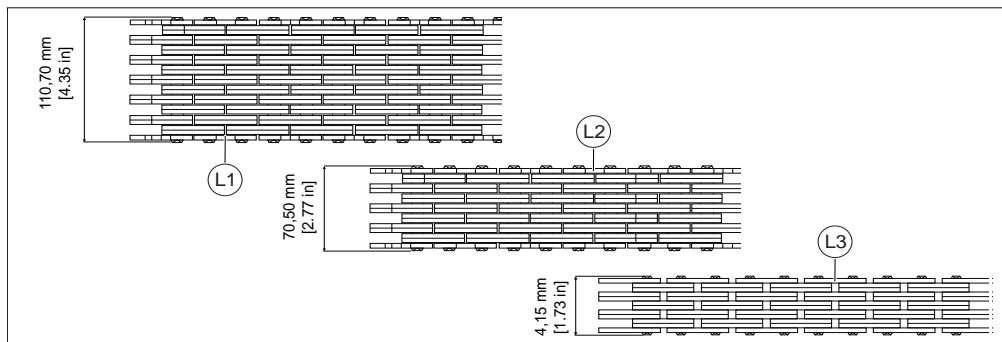


Figure 201: Wear of the protruding axles

Alignment of the shoulders of the protruding axes

Check the entire length of the chains.

Strong friction between the plates and the protruding axes can cause the latter to rotate in the outer plates with consequent coming out of the seat.

If the shoulders are not aligned in the longitudinal direction of the chain, replace the pair of chains. Contact your dealer.

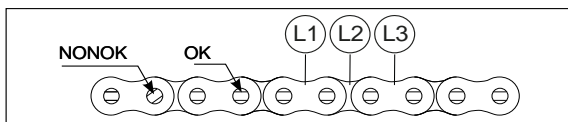


Figure 202: Alignment of the shoulders of the protruding axes

4.7.15 CHECK FOR WEAR AND INCREASE IN CLEARANCE OF THE FIFTH WHEEL BEARINGS

The clearance of the bearings with a new machine, measured in the factory, has an initial reference value of 0.05 ± 0.35 mm.

The maximum wear limit value of the bearing clearance is 2.3 mm and if a higher value is measured during a check, the washer must be replaced. As wear increases

As for the lengthening of the chains, check the center of each equal part using a vernier gage.



Beyond the mini value (110.70 mm - 2% = 108.48 mm) [4.35 in - 2% = 4.27 in], (70.50 mm - 2% = 69.09 mm) [2.77 in - 2% = 2.72 in], (41.15 mm - 2% = 40.83 mm) [1.62 in - 2% = 1.6 in] replace the pair of chains. Contact your dealer.

In addition to wear, the high pressures between the profile of the plates and the pulleys can cause an upset of material which causes a blockage of the joints; also in this case replace the pair of chains.

intensify checks.

The test must be performed using a clock comparator with a centesimal scale, with the bearing stationary.

The oscillation between a condition with a negative moment and one with a positive moment will be detected.

Place the forklift on a flat surface, without load and with the boom raised to the maximum.

Then place the comparator between the turret and the chassis, as in the photo (1).

Check that everything is in order, lower the boom until it approaches the comparator and reset the clock. (negative condition).

Then raise the boom to the max and read the axial clearance value on the clock (positive condition).

The measured values compared with the maximum limit value provide the extent of wear.

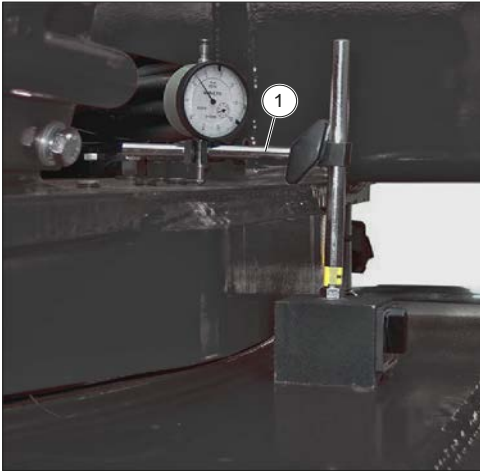


Figure 203: Check for wear and increase in clearance of the fifth wheel bearings

4.7.16 REPLACE FILTER OF THE "DEF" BOOST PUMP

Place the telehandler on a level surface with the three-phase motor off.

⚠ WARNING

Risk of corrosive substances

The diesel emissions additive is a corrosive product. Protect the bodywork and wear personal protective equipment (gloves and goggles). Thoroughly clean the exterior of the pump to prevent dust from entering the system.

⚠ WARNING

High temperature risk

Before replacing the filter (4), make sure that all parts are sufficiently cooled. Be sure to replace the filter when the "DEF" additive level is low. Beware of "DEF" spillage when removing the filter cover.

Replace the filter element (4)

Place the telehandler on a level surface.

- Stop the three-phase motor and wait for the "DEF" boost pump (6) to stop.
- Remove the panel (5) behind the "DEF" tank to access the "DEF" boost pump.
- Unscrew the pump cover (1), remove the compensator (2) and throw it away.
- Insert the extractor (3) (supplied with the new filter) into the filter element (4) until you hear a click.

- Pull the extractor to take out the filter element and then throw it away.
- Lightly lubricate the cover joint with suitable engine oil.
- Install the new filter element and compensator in the pump and screw the cover 1 (tightening torque: 20 +5 Nm - 2 +0.5 kgf-m).

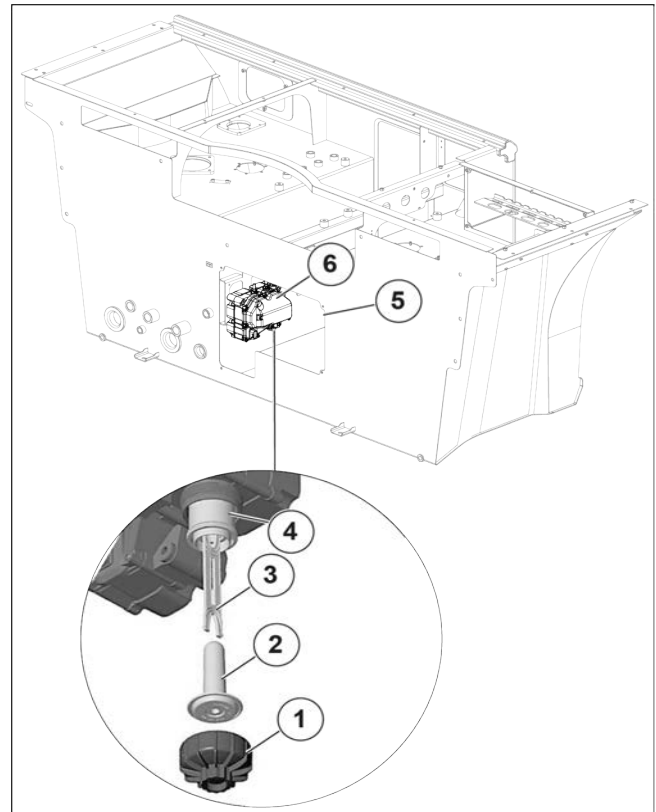


Figure 204: Replace filter of the "DEF" boost pump

4.7.17 REPLACE THE "DEF" TANK BREATHER

Place the telehandler level and stabilized. Stop the three-phase motor.

- Remove the panel (1) above the tanks to access the "DEF" tank breather (2).
- Unscrew the breather (2) and replace it with a new one.
- Refit the panel (1) above the tanks.



Figure 205: Replace the "DEF" tank breather

4.7.18 SAFETY BELT CHECK

⚠ DANGER

Under no circumstances may the forklift be used with a defective seat belt (fastening, locking, stitching, tearing, etc.). Repair or replace the seat belt immediately.

TWO-POINT SAFETY BELT

Check the following points:

- The fixing of the anchor points on the seat.
- Cleaning the belt and locking mechanism.
- The click of the locking mechanism.
- The state of the belt (tears, fraying).

AUTOMATIC SEAT BELT WITH TWO ANCHOR POINTS

Check the points listed above and the following:

- The correct running of the belt.
- The status of the reel masks.
- The locking of the reel mechanism by pulling the belt with a sharp jerk.

⚠ DANGER

Following an accident, replace the seat belt.

SILENT BLOCK OF THE THREE-PHASE MOTOR CHECK

Contact your dealer.

CHECK AND ADJUSTMENT OF THE THREE-PHASE MOTOR AIR INTAKE SYSTEM

Contact your dealer.

THREE-PHASE MOTOR HOSES AND PIPES CHECK

Contact your dealer.

BRAKE CIRCUIT PRESSURE CHECK

Contact your dealer.

CHECK FOR WEAR OF THE TELESCOPIC BOOM SHOES

CONDITIONS OF THE HARNESES AND CABLES CHECK

LIGHTING AND SIGNALING CHECK

SIGNALERS CHECK

CONDITIONS OF THE REAR VIEW MIRRORS CHECK

Contact your dealer.

CABIN STRUCTURE INTEGRITY CHECK

Contact your dealer.

CHASSIS STRUCTURE INTEGRITY CHECK

Contact your dealer.

INTEGRITY OF JIBS & CRANES AND SUSPENSION LINKS (Only for: MRT 3570 ES, MRT-X 3570 ES)

Contact your dealer.

QUICK COUPLING OF ATTACHMENTS CHECK

Contact your dealer.

CONDITIONS OF THE ATTACHMENTS CHECK

Contact your dealer.

SERVICE AND PARKING BRAKE CHECK

Contact your dealer.

4.8. EVERY 2000 HOURS OF OPERATION OR EVERY 2 YEARS

4.8.1 TIRE PRESSURE AND WHEEL NUT TIGHTENING CHECK

Check the condition of the tires for cuts, bumps, wear, etc.

Using a torque wrench, check the tightening torque of the wheel bolts.

Front wheels: 680 Nm \pm 15%

Rear wheels: 680 Nm \pm 15%

4.8.2 HYDRAULIC OIL REPLACEMENT AND HYDRAULICS INTAKE FILTER CARTRIDGE CLEANING

Place the telehandler flat and stabilized.
Fully retract and lower the telescopic boom.
Stop the three-phase motor.

⚠ DANGER

Before each intervention, thoroughly clean around the drain plugs and the suction nozzle of the hydraulic tank. Use a very clean bowl and funnel. Also clean the top of the oil can before filling. Dispose of waste oil in an environmentally friendly manner.

Oil drain

- Remove the panel (5) to access the oil filler cap (2). Remove the cap (2) to facilitate draining.
- Place a suitable container under the drain plug (1) and unscrew it.
- Remove the drain plug (1) to drain the hydraulic oil from the tank.
- Refit and tighten the drain plug (1).

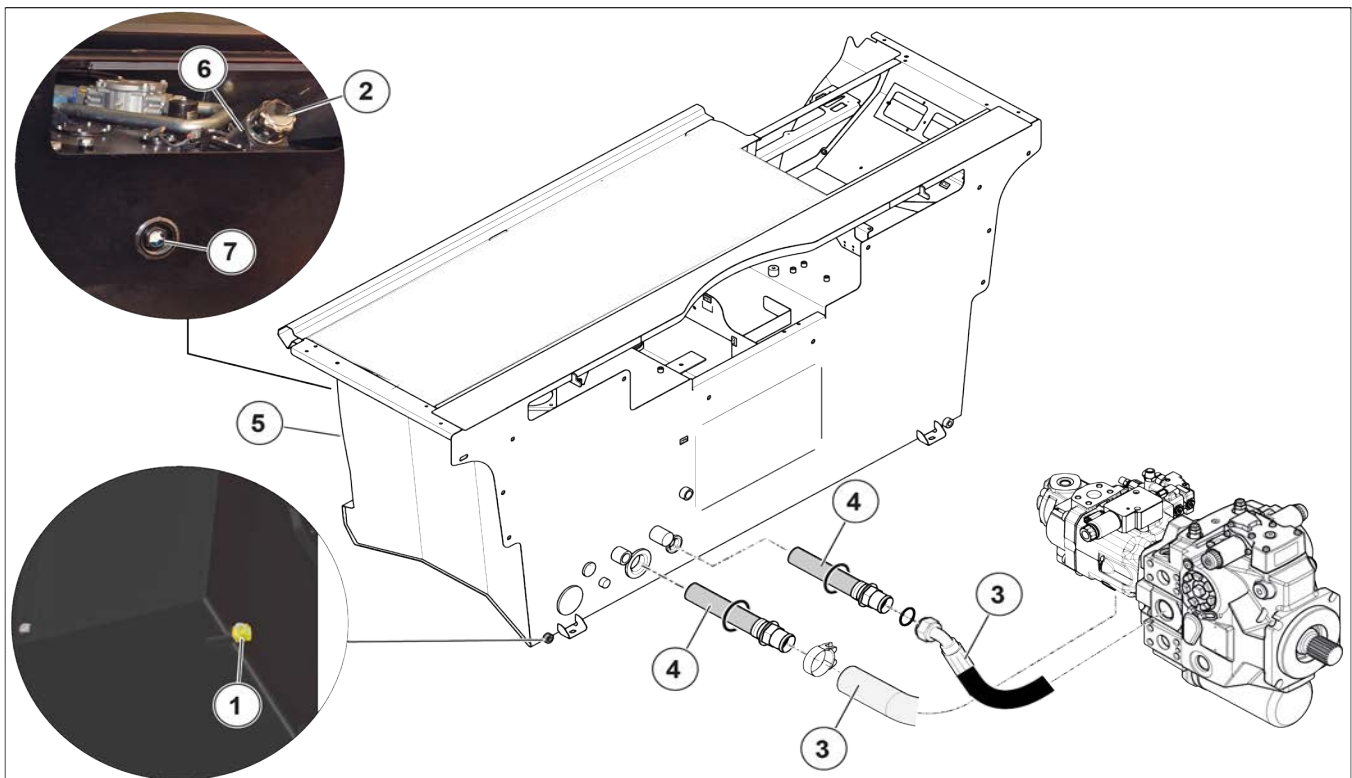


Figure 206: Hydraulic oil replacement and hydraulics intake filter cartridge cleaning

Cleaning the strainer

- Disconnect the hose (3).
- Unscrew the suction strainer (4), clean it with a jet of compressed air, check its condition and replace it if necessary.
- Reassemble the suction strainer checking that the gasket is correctly positioned.

Filling with oil

Fill the tank with new oil through the filler neck (6) until the oil level is equidistant between the lower and upper reference marks of the level indicator (7).

Check for leaks from the drain hole (1).

Refit the oil tank filler cap (2).

De-pollution of the hydraulic circuit

Let the three-phase motor run (accelerator pedal halfway) for 5 minutes without any load on the forklift; afterwards, for another 5 minutes using all the hydraulic movements (except the direction and service brakes).

Bring the three-phase motor to maximum speed for 1 minute; then apply the direction and service brakes.

This operation allows the circuit to be cleaned by means of the hydraulic oil filter on the intake.

RADIATOR CHECK

Contact your dealer.

TRANSMISSION PRESSURES CHECK

Contact your dealer.

STEERING CHECK

Contact your dealer.

CONDITION OF THE BOOM ASSEMBLY CHECK

Contact your dealer.

ARTICULATION BEARINGS AND RINGS CHECK

Contact your dealer.

CONDITIONS OF HOSES AND PIPES CHECK

Contact your dealer.

CONDITIONS OF THE CYLINDERS (LEAK, RODS)

Contact your dealer.

HYDRAULIC CIRCUIT PRESSURES CHECK

Contact your dealer.

ARTICULATION BEARINGS AND RINGS CHECK

Contact your dealer.

ENGINE VALVE CLEARANCE CHECK

Contact your dealer.

AIR CONDITIONING (OPTIONAL)

Contact your dealer.

CLEANING OF THE COILS OF THE CONDENSER AND EVAPORATOR

CLEANING OF THE CONDENSATE CONTAINER AND THE DISCHARGE VALVE

RECOVERY OF THE COOLANT TO REPLACE THE DRYER FILTER

FILLING WITH COOLANT AND CHECKING THE THERMOSTATIC REGULATION AND PRESSURE SWITCHES



When opening the evaporator unit, do not forget to replace the lid seal.

⚠ WARNING

Risk of corrosive materials

NEVER ATTEMPT TO REPAIR ANY ANOMALIES BY YOURSELF. TO CHARGE A CIRCUIT ALWAYS CONTACT THE DEALER WHO HAS THE SUITABLE SPARE PARTS, THE TECHNICAL NOTIONS AND THE NECESSARY TOOLS. In the following cases, contact a doctor. If inhaled, take the person to an open environment. In case of skin contact, rinse immediately with plenty of running water. In case of frostbite, apply a sterile dressing. In case of contact with eyes, rinse with fresh water for about 15 minutes.

IMPORTANT INFORMATION CONCERNING THE COOLANT USED

- This product contains fluorinated greenhouse gases relevant under the Kyoto protocol.
- Type of coolant: R134A; colorless and odorless and heavier than air. It has a PRG (Global Warming Potential) value of 1430.

- Never let the gas escape into the atmosphere. Never open the circuit as this would cause a loss of coolant.
- The compressor is equipped with an oil level indicator. Never unscrew this indicator: this will drain the circuit. The oil level should only be checked when changing the oil.

4.9. EVERY 3000 HOURS OF OPERATION OR EVERY 3 YEARS

4.9.1 AIR FILTER SAFETY CARTRIDGE REPLACEMENT

- Remove/refit the dry air filter cartridge to locate the safety filter of the air filter.
- Carefully pull out the dry air filter safety cartridge (1) to minimize dust escaping.
- Carefully clean the seat of the filter seals with a damp, clean, lint-free cloth.
- Before refitting, check the condition of the new safety cartridge.
- Insert the cartridge into the filter and position it by pressing on the edge of the cartridge and not in the center.



The frequency of replacement of the safety cartridge is given for information only. It must be replaced after every three dry air filter cartridge replacements.

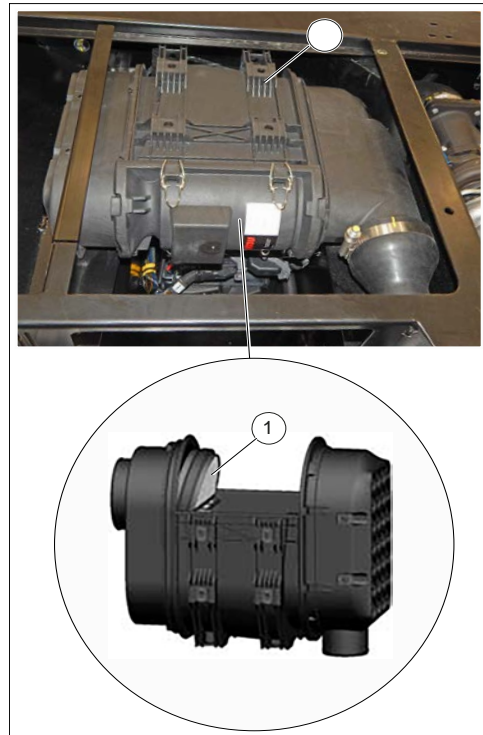


Figure 207: Air filter safety cartridge replacement

4.9.2 REPLACEMENT OF THE THREE-PHASE MOTOR SERVICE BELT

- Open the engine cover and lower cover.
- Remove the protective casing 1.
- Insert a socket wrench on the square rod of the automatic tensioner 2 to loosen the belt and extract it.
- Release the force and remove the socket wrench.
- Refit a new alternator belt, checking that it is well positioned in the recesses of each pulley and tension the belt using the automatic tensioner 2.



Take advantage of the belt removal to check the correct functioning of the pulleys and bearings (noise, friction, clearance, etc.).

- Refit the protective casing 1.
- Close the lower cover and engine cover.

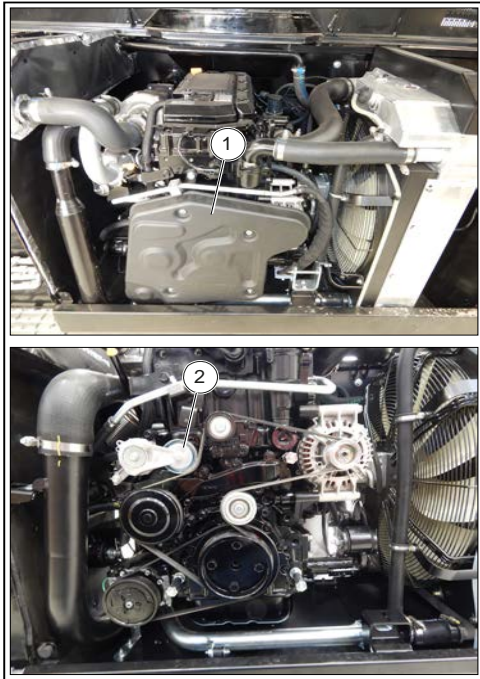


Figure 208: Replacement of the three-phase motor service belt

4.10. EVERY 4500 HOURS OF OPERATION OR EVERY 9 YEARS

THREE-PHASE MOTOR CRANKCASE BREATHER CHECK

REPLACEMENT OF THE CRANKCASE FILTER OF THE ENGINE BREATHER

- Open the engine cover.
- Remove the upper cover (1) of the three-phase motor.
- Remove the filter (2) and replace it with a new one.
- Refit the upper casing (1).
- Close the engine cover.

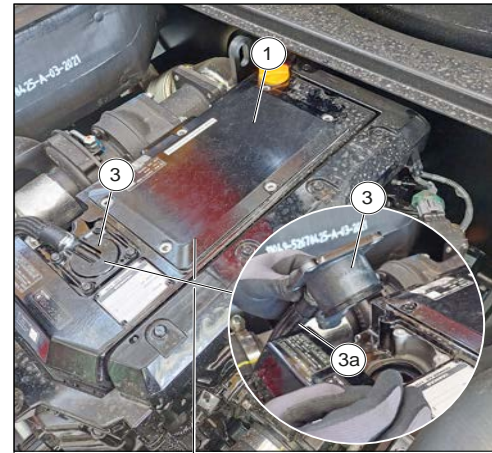


Figure 209: Replacement of the crankcase filter of the engine breather

CONTROL UNIT (ECU), SENSORS AND ACTUATORS ASSOCIATED WITH THE THREE-PHASE MOTOR

Contact your dealer

THREE-PHASE MOTOR TURBOCHARGER CHECK

Contact your dealer

CHECKING AND CLEANING THE VALVE OF THE EXHAUST GAS RECIRCULATION SYSTEM (EGR) OF THE THREE-PHASE MOTOR

Contact your dealer

SELECTIVE CATALYTIC REDUCER (SCR) / THREE-PHASE MOTOR DIESEL OXIDATION CATALYST (DOC) CHECK

Contact your dealer

CHECKING AND CLEANING THE THREE-PHASE MOTOR INJECTOR

Contact your dealer

4.11. EVERY 6000 HOURS OF OPERATION OR EVERY 12 YEARS

4.11.1 DIESEL PARTICULATE FILTER (DPF) OF THE THREE-PHASE MOTOR CHECK

Contact your dealer.

4.12. EVERY 9000 HOURS OF OPERATION OR EVERY 18 YEARS

REPLACE THE DIESEL PARTICLE FILTER (DPF) OF THE THREE-PHASE MOTOR

Contact your dealer.

REPLACE THE SELECTIVE CATALYTIC REDUCER (SCR) OF THE THREE-PHASE MOTOR

Contact your dealer.

4.13. OCCASIONAL MAINTENANCE

4.13.1 INSERTING THE SAFETY WEDGE OF THE TELESCOPIC BOOM



Only use the safety wedge (1) supplied with the telehandler.

⚠ DANGER

Risk of crushing

The safety wedge must be installed by accessing the walkable surface of the undercarriage from the right side staircase.

During installation of the safety wedge, do not stand under the telescopic boom.

The telescopic handler is equipped with a safety wedge (1) which prevents accidental descent of the telescopic boom during maintenance operations of the same or in the areas below it. The boom safety wedge must be installed on the rod of the handler cylinder.

When not in use, the safety wedge (1) is positioned on the telehandler turret through its fixings (1a).



Figure 210: Boom safety wedge

REFITTING THE WEDGE

1. Raise the boom to the maximum.
2. Place the safety wedge 1 on the rod of the lifting cylinder and lock with the shaft 2 and the split pin 3.

4.

MAINTENANCE

- Lower the boom slowly then stop the hydraulic movements before hitting the wedge.

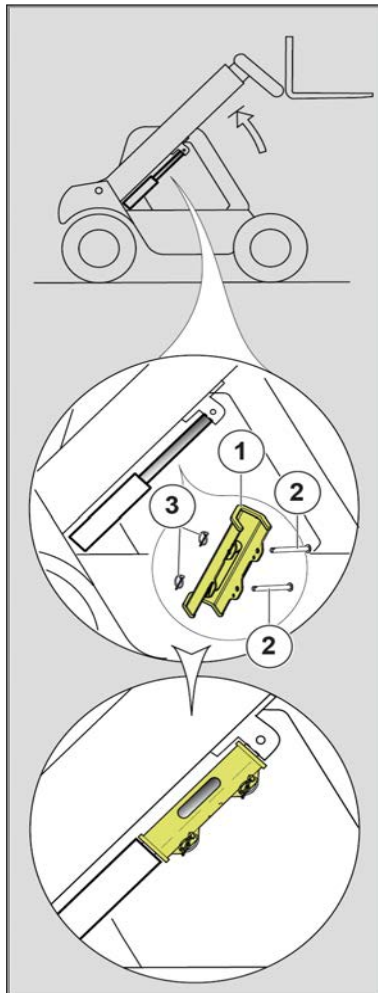


Figure 211: Inserting the safety wedge of the telescopic boom

DISASSEMBLY OF THE WEDGE

- Raise the boom to the maximum.
- Remove the split pin and the shaft.
- Put the safety wedge back into the compartment on the telehandler.

4.13.2 WHEEL REPLACEMENT

⚠ DANGER

Should the wheel replacement be carried out along the road, proceed as follows:

- If possible, stop the forklift on level ground on firm ground.

- Switch off the forklift.
- Activate the parking brake.
- Turn on the hazard lights.
- Apply wedges to immobilize the forklift in both directions on the axle opposite the wheel to be replaced.
- Loosen the wheel bolts to be replaced
- Place the jack under the axle housing, as close to the wheel as possible and adjust the jack (1).
- Raise the wheel until it comes off the ground and place the safety support under the axle (2).
- To do this, we recommend that you use a hydraulic jack and safety support.
- Completely unscrew the wheel bolts and remove them.
- Pull out the wheel with back and forth movements and turn it to the side.
- Put the new wheel on the hub.
- Manually screw in the bolts, if necessary lubricate them with grease.
- Tighten the wheel bolts securely with a torque wrench.
- Remove the safety support and lower the forklift with the jack.



Figure 212: Wheel replacement

4.13.3 HEADLIGHTS ADJUSTMENT

Adjustment recommendations
(According to ECE-76/756 76/761 ECE20 standards).

Adjustment of -2% of the dipped beam headlights with respect to the horizontal axis of the headlight.

Adjustment procedure

- Place the forklift, empty, in transport position, perpendicular to a white wall, on flat and horizontal ground.
- Check the tire pressure.
- Select the direction reverser in idleoff and apply the parking brake.

Calculation of the height of the dipped beam headlights (h2)

h1 = Height above the ground of the dipped beam headlights.

h2 = Height of the adjusted beam.

l = Distance between the dipped beam headlights and the white wall.

$h2 = h1 - (lx 2/100)$.

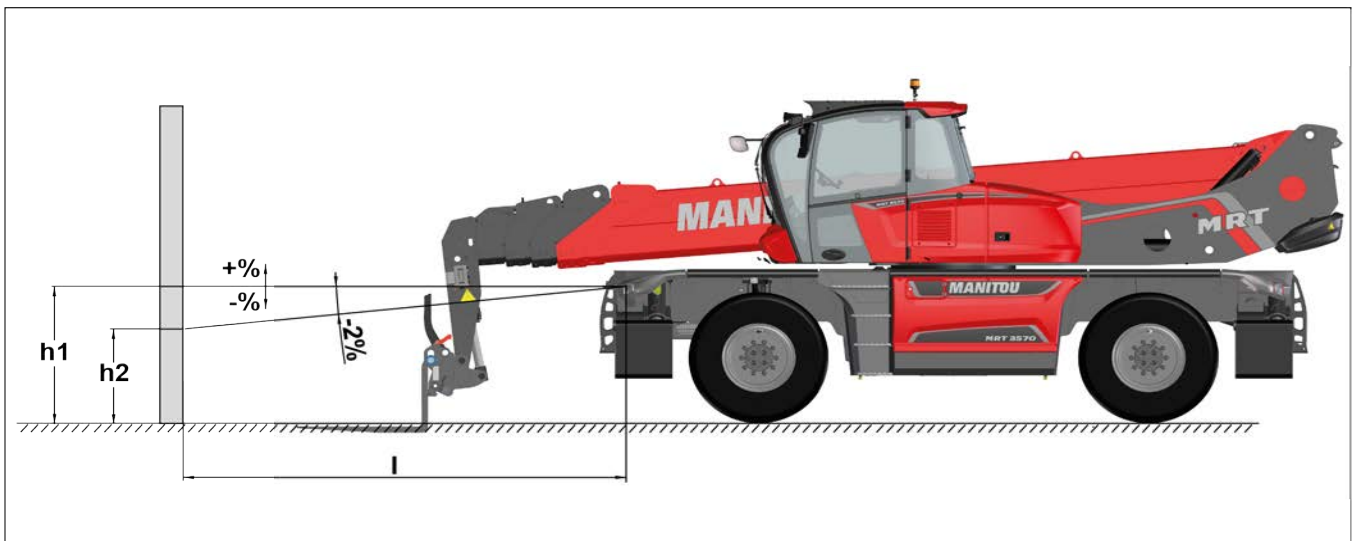


Figure 213: Headlights adjustment

4.13.4 REPLACING THE FUSES AND RELAYS

FUSE AND RELAY IN CAB

Remove the panel (1) behind the driver seat for access to the fuse box and relays (2).

⚠ DANGER

Always replace a faulty fuse with another of equivalent rating. Never use a fuse that has been.



Figure 214: Fuse and relay in cab



4.

MAINTENANCE

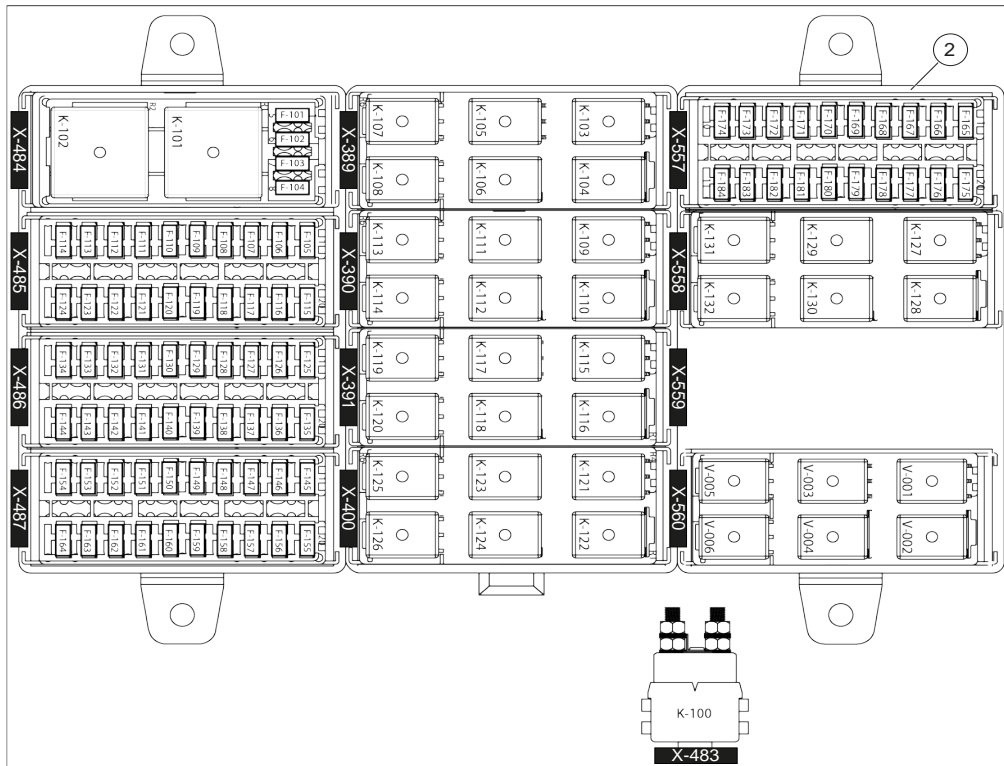




Figure 215: Overview of fuse and relays

Table 101. Specification table of the fuses and relays in cab

		Functions
X-484		
K-101	-	Flasher unit
K-102	20/30 A	Cab ventilation system supply
F-101	10 A	"+15" Attachment solenoid (12V)
F-102	5 A	"+15" DSB Switch (12V)
F-103	7.5 A	"+15" Car radio (12V)
F-104	5 A	"+15" 12V plugs (12V)
X-485		
F-105	15 A	"+30" Bucket Mix
F-106	5 A	"+30" VBATP Master SPU
F-107	5 A	"+30" Stand-By Display
F-108	5 A	"+30" Roof light
F-109	5 A	"+30" OBDII Diagnostic plug
F-110	5 A	"+30" Red button for transmission TCU
F-111	2 A	"+30" Anti Theft
F-112	3 A	"+30" Pred. supply connector
F-113	2 A	"+30" DC-DC Converter
F-114	15 A	"+30" A/C fan roof 1
F-115	15 A	"+30" A/C fan roof 2
F-116	-	Available
F-117	-	Available




		<i>Functions</i>
F-118	-	Available
F-119	-	Available
F-120	-	Available
F-121	-	Available
F-122	-	Available
F-123	-	Available
F-124	20 A	" +30" Cab ventilation relay
X-486		
F-125	-	Available
F-126	3 A	" +15" Predisposition supply
F-127	5 A	" +15" Foot throttle supply
F-128	5 A	" +15" Safety/Stop remote control
F-129	5 A	" +15" Light lever
F-130	2 A	" +15" Easy manager
F-131	-	Available
F-132	10 A	" +15" VP Midac Plus
F-133	5 A	" +15" Beacon
F-134	15 A	" +15" Seat power supply
F-135	15 A	" +15" Seat inclination management
F-136	-	
F-137	5 A	" +15" Ventilation fan relay
F-138	5 A	" +15" Door microswitch
F-139	5 A	" +15" A/C - Heater control panel
F-140	5 A	" +15" A/C compressor Clutch
F-141	-	Available
F-142	5 A	" +15" Video camera
F-143	5 A	" +15" Proxy tower alignment
F-144	20 A	" +15" Solenoid supply
X-487		
F-145	10 A	" +15" Rear window heater
F-146	7.5 A	" +15" Electric mirror heater
F-147	5 A	" +15" Electric mirror
F-148	10 A	" +15" Front Wiper motor
F-149	7.5 A	" +15" Rear Wiper motor
F-150	7.5 A	" +15" Upper Wiper motor
F-151	7.5 A	" +15" Lateral Wiper motor
F-152	10 A	" +15" VBATD1 Vehicle SPU
F-153	10 A	" +15" VBATD2 Vehicle SPU
F-154	10 A	" +15" Flormart heater
F-155	10 A	" +15" Corner light
F-156	10 A	" +15" VBATD3 Vehicle SPU
F-157	10 A	" +15" VBATD4 Vehicle SPU
F-158	10 A	" +15" VBATD5 Vehicle SPU
F-159	10 A	" +15" VBATD6 Vehicle SPU
F-160	10 A	" +15" VBATD7 Vehicle SPU
F-161	10 A	" +15" VBATF1 Vehicle SPU
F-162	10 A	" +15" VBATF2 Vehicle SPU

4.

MAINTENANCE

		<i>Functions</i>
F-163	10 A	"+15" VBATF3 Vehicle SPU
F-164	10 A	"+15" VBATF4 Vehicle SPU
X-389		
K-103	15 A	Front wiper 1st speed
K-104	15 A	Front wiper 2nd speed
K-105	15 A	Roof wiper
K-106	15 A	Rear wiper
K-107	15 A	Lateral wiper
K-108	15 A	Beacon light
X-390		
K-109	15 A	Electric mirror heater
K-110	15 A	Flormart heater
K-111	15 A	Rear window heater
K-112	15 A	
K-113	15 A	"+15" From key
K-114	15 A	Corner light
X-391		
K-115	15 A	Direction light LH
K-116	15 A	Direction light RH
K-117	15 A	Easy link no keypad (OPT)
K-118	15 A	Easy link with keypad (OPT)
K-119	15 A	Cabin ventilation
K-120	15 A	Solenoid Supply
X-400		
K-121	15 A	Unlocking 3D basket
K-122	15 A	Rotation 3D basket
K-123	15 A	Lifting 3D basket
K-124	15 A	Tilting 3D basket
K-125	15 A	12V Out Boom head
K-126	15 A	-
X-557		
F-165	7.5 A	"+15" Front cab working light
F-166	7.5 A	"+15" Rear cab working light
F-167	10 A	"+15" Boom working light
F-168	-	Available
F-169	-	Available
F-170		Available
F-171	-	Available
F-172	-	Available
F-173	5 A	"+15" Spot and ladder light
F-174	-	Available
F-175	15 A	"+15" Basket supply
F-176	5 A	"+15" Joystick
F-177	5 A	"+15" Navi Encoder
F-178	5 A	"+15" OBD Diagnostic plug
F-179	10 A	"+15" Boom pressure sensor

		<i>Functions</i>
F-180	5 A	"+15" Slip Ring encoder
F-181	5 A	"+15" Safety switch
F-182	5 A	"+15" Red button
F-183	5 A	"+15" Remote switch
F-184	15 A	"+15" DC-DC Converter
X-558		
K-127	15 A	A/C Fan Roof 1
K-128	15 A	A/C Fan Roof 2
K-129	15 A	A/C Compressor clutch
K-130	15 A	Front cab working light
K-131	15 A	Rear cab working light
K-132	15 A	Boom working light
X-559		
-	-	Not used
X-560		
V-001	3 A	Diode module
V-002	3 A	Diode module
V-003	3 A	Diode module

FUSE AND RELAY ON THE CHASSIS

Only for the telehandler: MRT 2260, MRT-X 2260, MRT 2660, MRT-X 2660, MRT 2570, MRT-X 2570, MRT 3050, MRT-X 3050

Remove the panel (1) behind the step under the cab for access to the fuse box and relays (2a - 2b).
Remove the cap to access the fuse and relays.

⚠ DANGER

Always replace a faulty fuse with another of equivalent rating. Never use a fuse that has been.

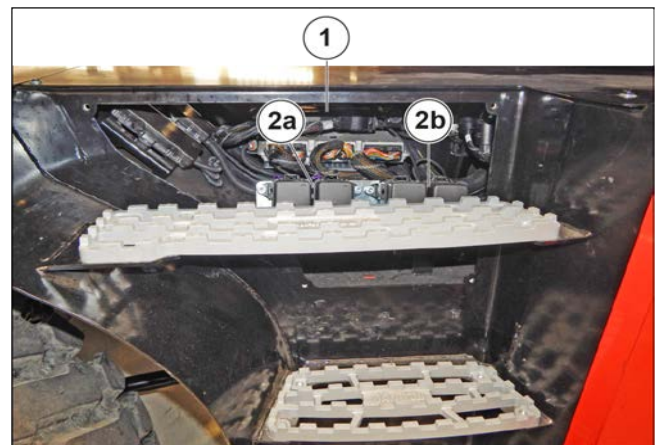


Figure 216: Fuse and relay on the chassis



4.

MAINTENANCE

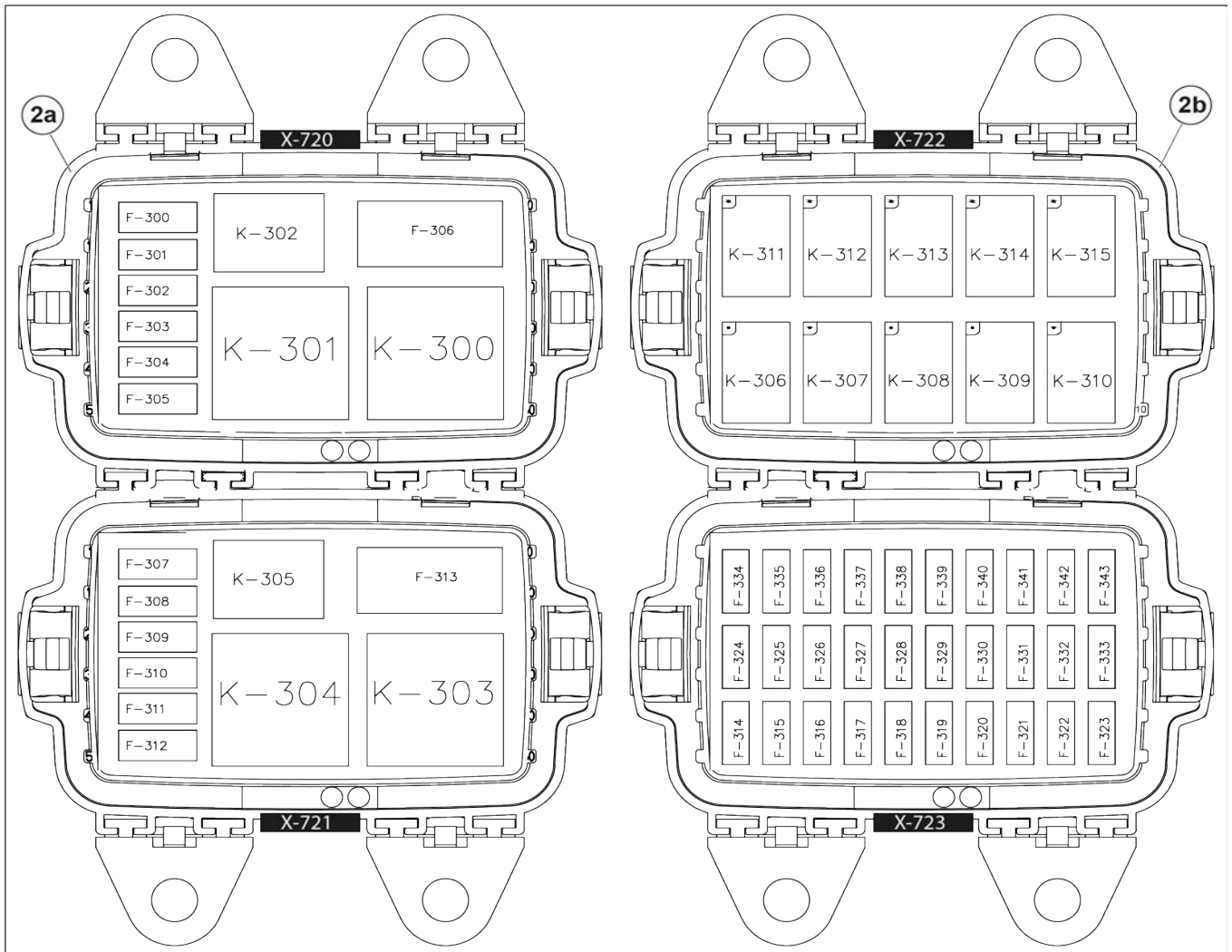





Figure 217: Overview of fuse and relays:

Table 102. Specification table of the fuses and relays on chassis

	Functions	
X-720		
F-300	5 A	Electric emergency pump
F-301	5 A	"+15" Bi-Eneqy system supply
F-302	10 A	"+15" VBATD Auxiliary SPU
F-303	10 A	"+15" VBATE Auxiliary SPU
F-304	5 A	"+15" Front / rear axle alignment sens.
F-305	5 A	"+15" Stabilizer fully up sensor
F-306	30 A	Engine fuse box supply
K-300	50 A	Hydraulic oil cooler electric fan
K-301	50 A	"+15" Vehicle power
K-302	15 A	Electric emergency pump
X-721		



		<i>Functions</i>
F-307	5 A	" +30" VBATP Auxiliary SPU
F-308	10 A	" +30" VBATC Auxiliary SPU
F-309	15 A	" +30" Cab ventilation supply
F-310	10 A	" +30" Water heater supply
F-311	10 A	" +30" Unswitched supply
F-312	10 A	" +30" Pneutron / Navi Encoder
F-313		
K-303	50 A	Hydraulic oil cooler electric fan
K-304	50 A	Vehicle power ECU
K-305	15 A	" +15" ECU / Sensors
X-722		
K-306	20 A	Road light relay
K-307	20 A	High beam relay
K-308	20 A	Low beam relay
K-309	20 A	Stop light relay
K-310	20 A	Reverse light relay
K-311	20 A	Cranking relay
K-312	20 A	Fog light relay
K-313	20 A	DRL light relay
K-314	-	
K-315	-	
X-723		
F-314	10 A	" +15" VBATD1 Vehicle SPU
F-315	10 A	" +15" VBATD2 Vehicle SPU
F-316	10 A	" +15" VBATD3 Vehicle SPU
F-317	10 A	" +15" VBATD4 Vehicle SPU
F-318	10 A	" +15" VBATD5 Vehicle SPU
F-319	10 A	" +15" VBATD6 Vehicle SPU
F-320	10 A	" +15" VBATD7 Vehicle SPU
F-321	10 A	" +15" VBATF1 Vehicle SPU
F-322	10 A	" +15" VBATF2 Vehicle SPU
F-323	10 A	" +15" VBATF3 Vehicle SPU
F-324	10 A	" +15" VBATF4 Vehicle SPU
F-325	7.5 A A	" +15" Transmission Control Unit
F-326	-	Available
F-327	5 A	" +15" Hydraulic pump sensor
F-328	5 A	" +15" Chassis level sensor
F-329	5 A	" +15" Stabilizer extensometer sensor
F-330	5 A	" +15" Stabilizer on ground sensor
F-331	5 A	Fog light
F-332	5 A	DRL Light
F-333	15 A	" +15" Cranking
F-334	5 A	Road Light
F-335	5 A	Road Light
F-336	7.5 A	High beam
F-337	7.5 A	Low beam

		<i>Functions</i>
F-338	5 A	Stop light
F-339	5 A	Reverse light
F-340	5 A	"+30" VBATP Slave SPU
F-341	5 A	"+15" VE transmission TCU
F-342	15 A	"+30" VP transmission TCU
F-343	10 A	"+30" Main key

FUSE AND RELAY ON THE CHASSIS

Only for the telehandler: MRT 3570, MRT-X 3570

Remove the panel (1) behind the step under the cab for access to the fuse box and relays (2a - 2b).
Remove the cap to access the fuse and relays.

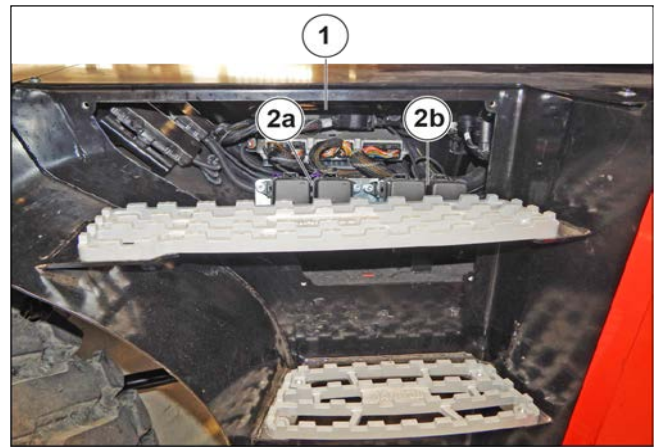


Figure 218: Fuse and relay on the chassis

⚠ DANGER

Always replace a faulty fuse with another of equivalent rating. Never use a fuse that has been.

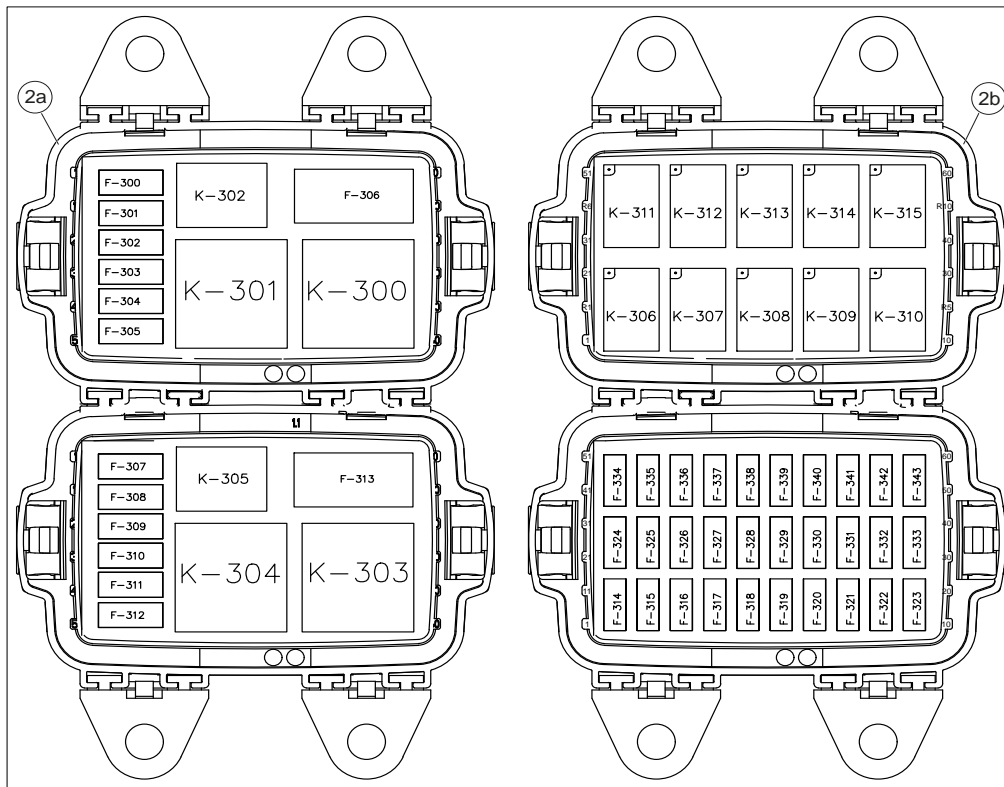



Figure 219: Overview of fuse and relays:



Table 103. Specification table of the fuses and relays on chassis

		Functions
X-720		
F-300	5 A	Electric emergency pump
F-301	5 A	“+15” Bi-Eneqy system supply
F-302	10 A	“+15” VBATD Auxiliary SPU
F-303	10 A	“+15” VBATE Auxiliary SPU
F-304	5 A	“+15” Front / rear axle alignment sens.
F-305	5 A	“+15” Stabilizer fully up sensor
F-306	30 A	Engine fuse box supply
K-300	50 A	Hydraulic oil cooler electric fan
K-301	50 A	“+15” Vehicle power
K-302	15 A	Electric emergency pump
X-721		
F-307	5 A	“+30” VBATP Auxiliary SPU
F-308	10 A	“+30” VBATC Auxiliary SPU
F-309	15 A	“+30” Cab ventilation supply
F-310	10 A	“+30” Water heater supply
F-311	10 A	“+30” Unswitched supply
F-312	10 A	“+30” Pneutron / Navi Encoder
F-313		
K-303	50 A	Hydraulic oil cooler electric fan
K-304	50 A	Vehicle power ECU
K-305	15 A	“+15” ECU / Sensors
X-722		
K-306	20 A	Road light relay
K-307	20 A	High beam relay
K-308	20 A	Low beam relay
K-309	20 A	Stop light relay
K-310	20 A	Reverse light relay
K-311	20 A	Cranking relay
K-312	20 A	Foq light relay
K-313	20 A	DRL light relay
K-314	-	
K-315	-	
X-723		
F-314	10 A	“+15” VBATD1 Vehicle SPU
F-315	10 A	“+15” VBATD2 Vehicle SPU
F-316	10 A	“+15” VBATD3 Vehicle SPU
F-317	10 A	“+15” VBATD4 Vehicle SPU
F-318	10 A	“+15” VBATD5 Vehicle SPU
F-319	10 A	“+15” VBATD6 Vehicle SPU
F-320	10 A	“+15” VBATD7 Vehicle SPU
F-321	10 A	“+15” VBATF1 Vehicle SPU
F-322	10 A	“+15” VBATF2 Vehicle SPU
F-323	10 A	“+15” VBATF3 Vehicle SPU

		<i>Functions</i>
F-324	10 A	"+15" VBATF4 Vehicle SPU
F-325	7.5 A	"+15" Transmission Control Unit
F-326	5 A	"+15" Damper sensor
F-327	5 A	"+15" Hydraulic pump sensor
F-328	5 A	"+15" Chassis level sensor
F-329	5 A	"+15" Stabilizer extensometer sensor
F-330	5 A	"+15" Stabilizer on ground sensor
F-331	5 A	Fog light
F-332	5 A	DRL Light
F-333	15 A	"+15" Cranking
F-334	5 A	Road Light
F-335	5 A	Road Light
F-336	7.5 A	High beam
F-337	7.5 A	Low beam
F-338	5 A	Stop light
F-339	5 A	Reverse light
F-340	5 A	"+30" VBATP Slave SPU
F-341	5 A	"+15" VE transmission TCU
F-342	15 A	"+30" VP transmission TCU
F-343	10 A	"+30" Main key

POWER BOX FUSE OF THE TELEHANDLER

Remove the panel (1) behind the step under the cab to access the fuse box and relays (2a - 2b).
Remove the cap to access the fuse and relays.

 DANGER

Always replace a faulty fuse with another of equivalent rating. Never use a fuse that has been.

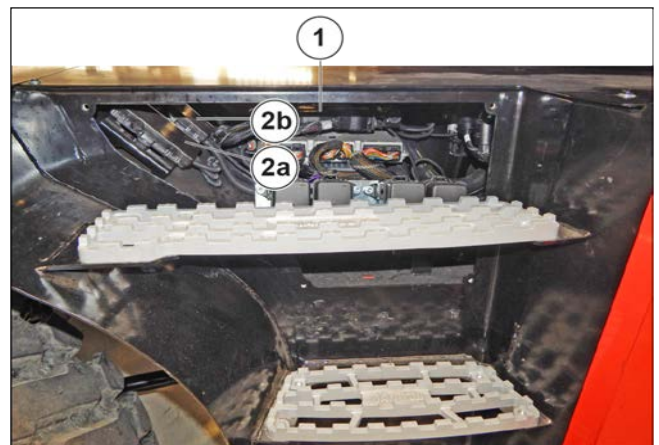


Figure 220: POWER BOX FUSE OF THE TELEHANDLER

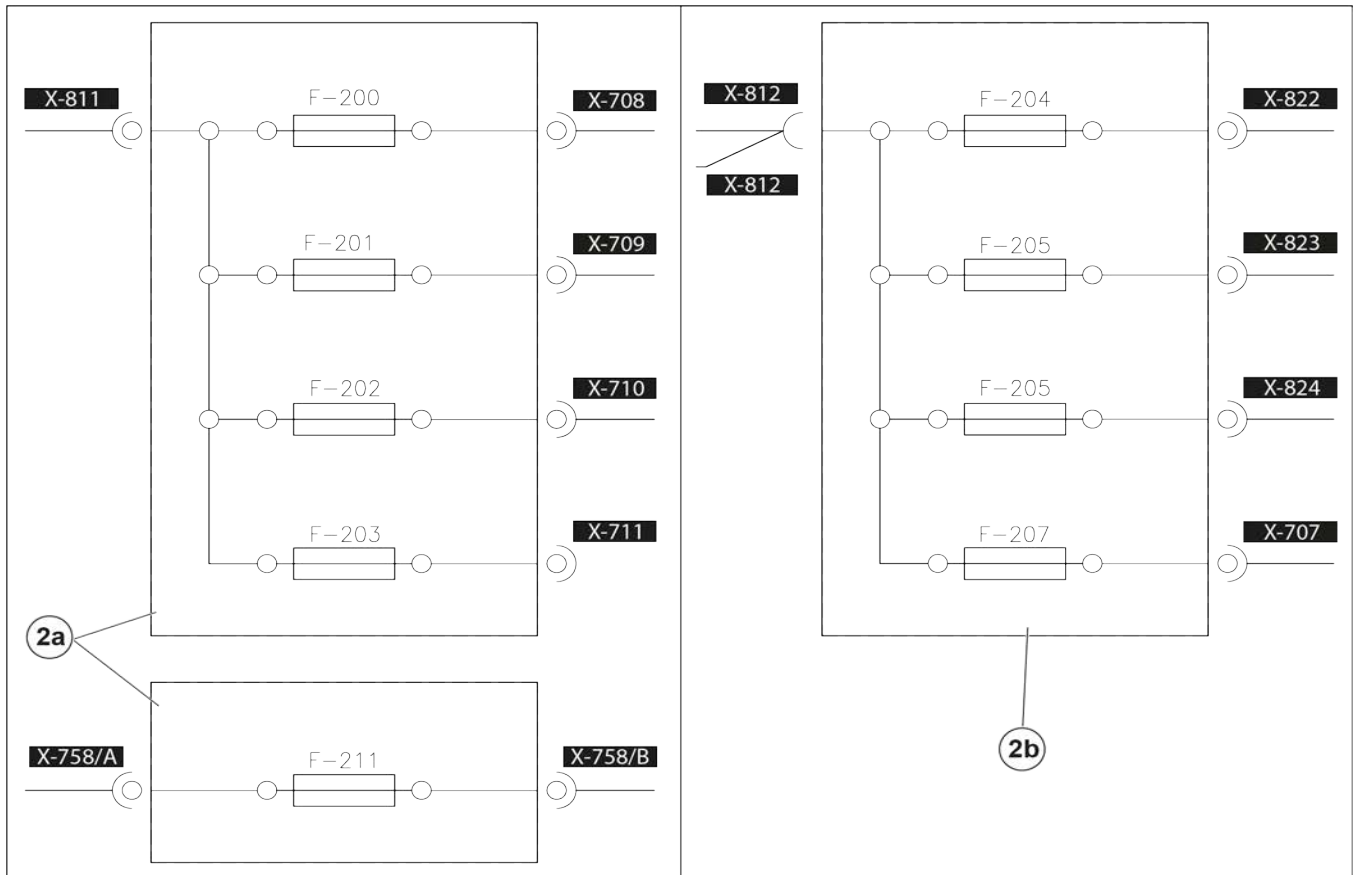



Figure 221: Overview of fuse and relays:

Table 104. Specification table of the fuses and relays on chassis

		Functions
X-905		
F-204	100 A	Tower PWR
X-823		
F-205	30 A	Oil cooler fan 2
X-824		
F-205	30 A	Oil cooler fan 1
X-707		
F-207	80 A	Chassis PWR
X-708		
F-200	30 A	" +30" DCU
X-709		
F-201	30 A	" +30" Engine ECU
X-710		
F-202	40 A	Glow plug
X-711		
F-203	-	Available
X-758/B		
F-211	50 A	" +30" Unswitched

FUSE BOX AND RELAYS ENGINE

Remove the panel (1) behind the step under the cab for access to the fuse box and relays (2).
Remove the cap to access the fuse and relays.

⚠ DANGER

Always replace a faulty fuse with another of equivalent rating. Never use a fuse that has been.

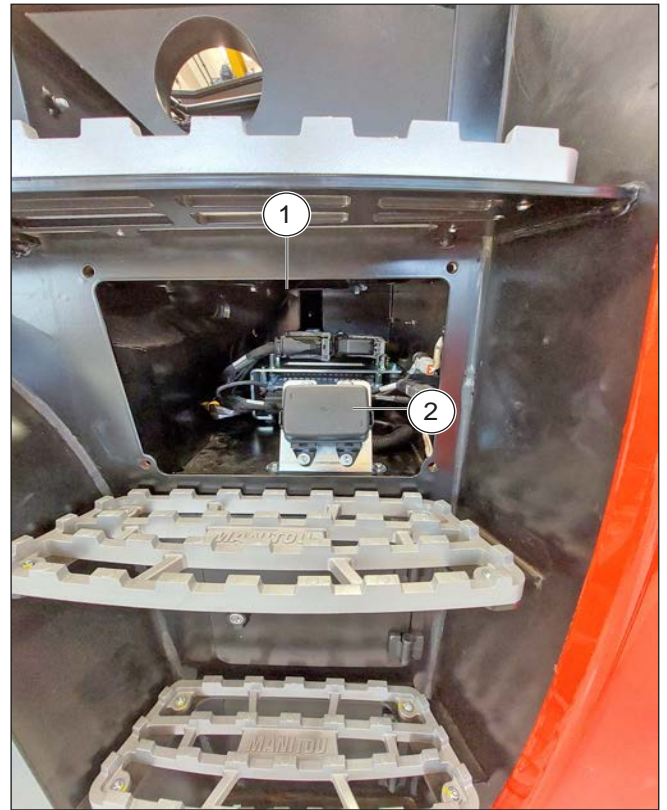


Figure 222: Fuse box and relays engine

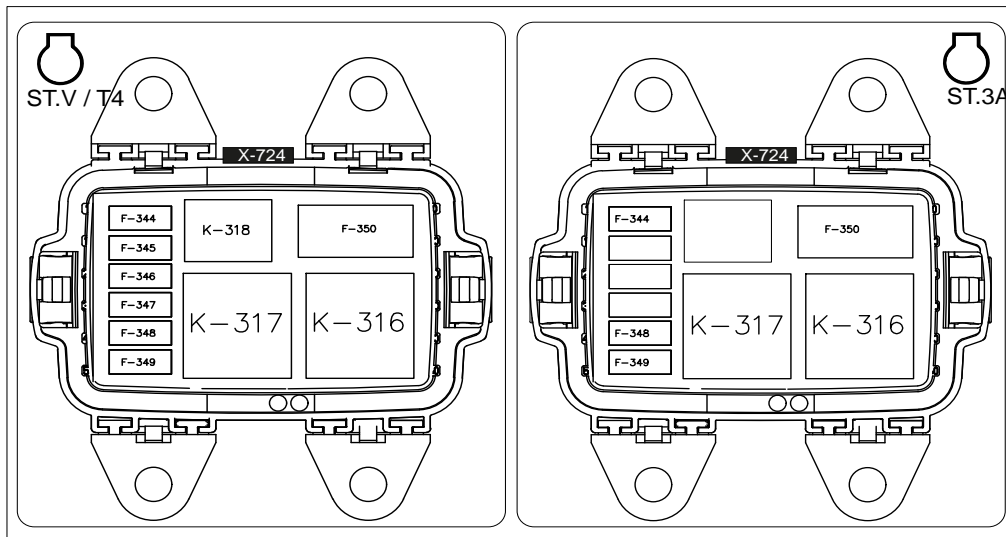



Figure 223: Overview of fuse and relays:

Table 105. Specification table of the fuse box and relays engine ST.V / T4

		Functions
X-724		
F-344	5 A	Engine diagnostic plug / Battery hold



		<i>Functions</i>
F-345	15 A	DEF Heated pipe
F-346	10 A	NOx Sensors
F-347	5 A	DEF quality sensor
F-348	5 A	" +15" Alternator
F-349	7.5 A	EGR valve
F-350	20 A	Fuel feed pump
K-316	50 A	Engine ECU main relay
K-317	50 A	Glow plug relay
K-318	15 A	DEF heated pipe

Table 106. Specification table of the fuse box and relays engine ST.3A

		<i>Functions</i>
X-724		
F-344	5 A	Engine diagnostic plug / Battery hold
F-345	-	Available
F-346	-	Available
F-347	-	Available
F-348	5 A	" +15" Alternator
F-349	7.5 A	EGR valve
F-350	20 A	Fuel feed pump
K-316	50 A	Engine ECU main relay
K-317	50 A	Glow plug relay
K-318	-	Available

4.13.5 CHECK AND CLEANING OF THE TRANSMITTER RINGS OF THE ROTATING ELECTRIC COLLECTOR (AFTER 3 MONTHS OF INACTIVITY)

⚠ DANGER

Raise the boom and place the safety wedge on the rod of the lifting cylinder.

* Contact your agent or dealer.



Figure 224: Check and cleaning of the transmitter rings of the rotating electric collector

4.13.6 REMOTE CONTROL CHECK

Routine daily maintenance



Before starting work:

- Make sure that the housing and battery contacts are always clean.
- Check that the gaskets, bellows and caps of the actuators (joysticks, selectors and buttons) are intact, soft and elastic.
- Check that the symbols on the transmitter unit panel are clearly visible and replace the panel if necessary.
- Check the legibility and integrity of the three nameplates on the transmitter unit.
- Check the correct mechanical operation of the STOP button.

During normal operation:

- Check that the transmitter unit is structurally intact.
- Make sure that no materials (e.g. cement, sand, lime, dust) are deposited on the transmitter unit that could compromise its use and safety.

After using the remote control:

- Clean the transmitter unit: never use solvents or flammable/corrosive products and do not use high pressure cleaners or steam cleaners.
- Store the transmitter unit in a clean and dry environment.

Routine quarterly maintenance

Every 3 months:

- Remove dust or other buildup of material from the receiving unit.
- To clean, never use solvents or flammable/corrosive products and do not use high pressure cleaners or steam cleaners.
- Check that the receiving unit is structurally intact.
- Check the integrity and connection of the receiving unit wiring.
- Check that the symbols on the receiving unit panel are clearly visible and replace the panel if necessary.
- Check the readability and integrity of the plates of the receiving unit.

Extraordinary maintenance

⚠ DANGER

Any faults can only be repaired by authorized personnel. (contact the MANITOU assistance service).

Troubleshooting Guide

When the remote control does not work, it is necessary:

- to move the transmitting unit closer to the receiving unit in order to avoid noise and radio interference.

- to check if the problem affects the remote control or the machine. Therefore, before carrying out any checks, try to control the machine through a control station other than the remote control, if present.

If it persists, the problem affects the machine itself. Otherwise the problem concerns the remote control. In this case, refer to the paragraph "Malfunctions reported by the transmitter unit".

MALFUNCTIONS REPORTED BY THE TRANSMITTER UNIT (Pushbutton panel)

Red LED and green LED.

The table below indicates the malfunctions that may be encountered when the LEDs present in the transmitter unit come on and the relative solutions.

If the problem persists after having implemented the indicated solution, contact the MANITOU assistance service.



Table 107. Malfunctions reported by the transmitter unit (Pushbutton panel)

Reports	Possible causes	Solutions
The green LED flashes quickly. The red LED flashes for minutes.	The battery is not sufficiently charged or the transmitter unit has been switched on for twenty-four hours.	It is necessary to replace the battery with a charged one or it is necessary to turn off the transmitter unit and restart the radio control.
The green LED repeats one or two flashes and a pause. The red LED flashes for minutes.		
The green LED repeats three flashes and a pause. The red LED flashes for minutes.	The transmitter unit has been on for twenty-four hours.	It is necessary to switch off the transmitter unit and restart the radio control.
The green LED is off. The red LED flashes for a very long time.	The transmitter unit is not working properly.	Contact the MANITOU assistance service.
When the remote control is started, the green LED is off and the red LED flashes for a long time.	The GSS or EMS button is pressed.	Disengage the GSS or EMS button.
When starting the remote control, the green LED is off and the red LED makes two long flashes.	The transmitter unit is not working properly.	Contact the MANITOU assistance service.
When the remote control is started, the green LED is off and the red LED makes three long flashes.	The battery is very low.	You need to replace the battery with a charged one.
When the remote control is started, the green LED is off and the red LED makes four long flashes.	The SAFETY command is active.	Bring the actuators to rest position. If this message persists, contact the MANITOU assistance service.
When the remote control is started, the green LED is on and the red LED flashes for a long time and a few short flashes.	At least one of the actuators related to the digital commands is active.	Bring the actuators to rest position. If this message persists, contact the MANITOU assistance service.
When the remote control is started, the green LED is on and the red LED makes two long flashes and a few short flashes.	At least one of the actuators related to the analog commands is active.	
When the remote control is started, the green LED is on and the red LED flashes three long and a few short flashes.	At least one of the actuators related to the direction commands is active.	
When the remote control is started, the green LED is on and the red LED flashes four long and a few short flashes.	At least one of the actuators related to the direction commands is active.	

MALFUNCTIONS REPORTED BY THE RECEIVING UNIT

The table below indicates the malfunctions that may be encountered when the LEDs on the receiving unit turn on.

If the problem persists after having implemented the indicated solution, contact the MANITOU assistance service.

Table

Table 108. Malfunctions reported by the receiving unit

Reports	Possible causes	Solutions
The POWER LED is off.	The receiving unit is turned off.	Check the integrity of the power supply protection fuse.

4.

MAINTENANCE

		Connect the connection plug correctly and power up the receiver unit.
	There is an error on the STP_1 output.	Check the integrity of the STP_1 output protection fuse. Attach the connecting plug correctly. Check the correct wiring of the STP_1 output.
	There is an error on the STP_2 output.	Check the integrity of the STP_2 output protection fuse. Attach the connecting plug correctly. Check the correct wiring of the STP_2 output.
	There is an error on the SAF_1 output.	Check the integrity of the SAF_1 output protection fuse (fuse F6). Attach the connecting plug correctly. Check the correct wiring of the SAF_1 output.
	There is an error on the SAF_2 output.	Check the integrity of the SAF_2 output protection fuse. Attach the connecting plug correctly. Check the correct wiring of the SAF_2 output.
The STATUS LED flashes slowly.	There is an overvoltage in the power supply.	Check that the power supply of the receiving unit is within the voltage limits indicated in the technical data.
The STATUS LED flashes intermittently fast.	The receiving unit loses some of the data sent by the transmitting unit.	Move the transmitting unit closer to the receiving unit. If this message persists, contact Manitou Customer Service.
The RUN LED flashes.	The receiving unit does not send commands to the CAN network.	Contact the MANITOU assistance service.
The ERR LED flashes.	There is a CAN communication error.	
	The receiving unit has activated the automatic stop function (ATS) as it carries out a self-test every twenty-four hours of continuous ignition.	Start the remote control
The SETUP LED flashes twice.	There is a memory card error.	Contact the MANITOU assistance service.

4.13.7 CHECKING AND CLEANING THE FUEL TANK FILLER FILTER

1. Open the access door (1) on the fuel filler cap (2) (3) and unscrew it.
2. Unlock and remove the fuel filter (4) from the filler (3).
3. Clean it with an air jet, check that it is not damaged and if necessary replace it with a new one.
4. Refit the filter (4) and screw the cap (2) back on.

5. Close the access door (1).

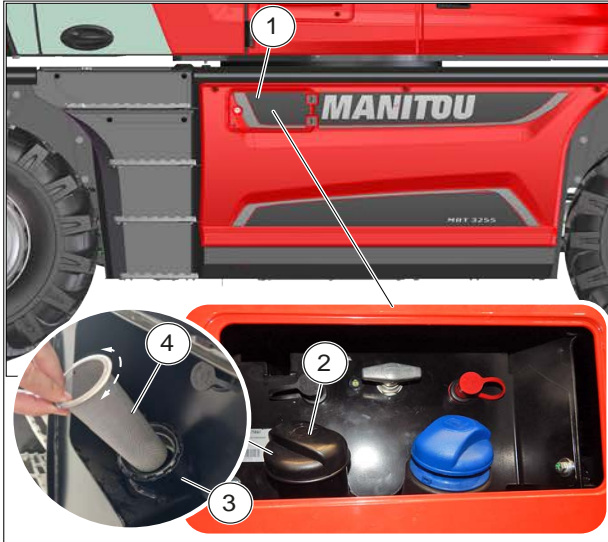


Figure 225: Checking and cleaning the fuel tank filler filter

4.13.8 CHECKING AND CLEANING THE DEF TANK FILLER FILTER

1. Open the access door (1) to the DEF filler cap (2) (3) and unscrew it.
2. Unlock and remove the fuel filter (4) from the filler (3).
3. Clean it with an air jet, check that it is not damaged and if necessary replace it with a new one.
4. Refit the filter (4) and screw the cap (2) back on.
5. Close the access door (1).



Figure 226: Checking and cleaning the DEF tank filler filter

4.13.9 STATIONARY REGENERATION OF DPF FILTER "HANDLER STOPPED"

⚠ DANGER

DPF regeneration is an automated procedure, which is initiated by the operator when the following lights flash:


 or  +  after 50 hours of operation with an engine speed reduction of 25%.


Park the telehandler in a safe and sufficiently ventilated place.

To perform the regeneration, the system that controls the devices and actions of the exhaust gas after-treatment of the telehandler will check that the following conditions are met:

- Neutral gear selector.
- Parking brake applied.
- No movement operated (telescopic boom, stabilizers, leveling).
- Telescopic boom in transport position (low and retracted).
- Accelerator pedal released.
- Manual throttle at idle.

Check that the fuel level is sufficient. Start the telehandler and run the three-phase motor for a few minutes to bring it to operating temperature (60° C - 140° F).

Press the button for more than two seconds  to start the automated DPF regeneration procedure. The button lights up (yellow or blue) to indicate that the automated procedure has been activated. An amber

indicator lights up on the display . Follow the steps indicated on the information display.

⚠ DANGER

The DPF regeneration procedure should only be interrupted if necessary. The procedure stops automatically if the operator: Operate the joysticks of the hydraulic movements. Operate the forward or reverse direction selector. Turns off

the three-phase motor. Press the button .



5. REFERENCES, OPTIONS AND ACCESSORIES

5.1. REFERENCES

5.1.1 LUBRICANTS AND FUEL

⚠ DANGER

USE RECOMMENDED LUBRICANTS AND FUEL:

For topping up, not all oils are mixable.

For gearboxes, MANITOU oils are perfectly suited.

DIAGNOSTIC ANALYSIS OF OILS

In the event of an inspection or maintenance contract concluded with the dealer, a diagnostic analysis of the engine, transmission and axle oils may be required, depending on the utilization rate.

CHARACTERISTICS OF THE FUEL REQUIRED

Use a quality fuel to obtain the optimum performance of the internal combustion engine.

- Type of diesel fuel EN590 (sulfur rate <10 ppm).
- ASTM D975 diesel fuel type (sulfur rate <15 ppm).

"DEF" SPECIFICATIONS (Diesel Emissions Additive)

- Aqueous solution of urea at 32.5% (ISO22241).
- Solidification at -11° C and expansion of 10%.
- Flammable product.
- Thermal degradation (> 60° C).
- Storage between -5° C and 30° C.

⚠ WARNING

Risk of corrosive substances

Corrosive product for metals; it is necessary to wear personal protective equipment (gloves and protective goggles).

CAPACITY and RECOMMENDED PRODUCTS MRT 2260, MRT-X 2260, MRT 2660, MRT-X 2660

Table 109. Recommended capacities and products MRT 2260 - 2660 & MRT-X 2260 - 2660

COMPONENTS TO BE LUBRICATED	CAPACITY	RECOMMENDED PRODUCT
THREE-PHASE MOTOR		
THREE-PHASE MOTOR MRT 2260 ST5 - MRT 2660 ST5	13 L - 3.43 US gal	MANITOU EVOLOGY OIL 10W40 API CJ4
THREE-PHASE MOTOR MRT-X 2260 ST3A - MRT-X 2660 ST3A		MANITOU PREMIUM OIL 15W40 API CI4



COMPONENTS TO BE LUBRICATED	CAPACITY	RECOMMENDED PRODUCT
COOLING SYSTEM	22 L - 5.8 US gal	COOLING SYSTEM -35° C (Concentrated Product)
FUEL TANK	270 L - 71.32 US gal	DIESEL
TANK DEF MRT 2260 ST5 - MRT 2660 ST5	24 L - 6.34 US gal	"DEF" (diesel emissions fluid)
TRANSMISSION		
GEARBOX	1.6 L - 0.42 US gal	SPECIAL MANITOU OIL IMMERSED BRAKES
CARDAN JOINT		BLUE MULTIPURPOSE MANITOU GREASE
TELESCOPIC BOOM		
TELESCOPIC BOOM SHOES		WHITE GREASE BERULUB PAL 1 (NLGI 1)
CHAIN LUBRICATION		SPRAY OIL MANITOU SPECIAL CHAINS
HYDRAULICS		
HYDRAULIC OIL TANK	260 L - 68.7 US gal	MANITOU ISO VG 46 HYDRAULIC OIL
CABIN		
WINDSCREEN WASHER FLUID TANK	5 L - 1.3 US gal	WINDSCREEN WASHING FLUID
FRONT AXLE		
CENTRAL DIFFERENTIAL	7 L - 1.84 US gal	SPECIAL MANITOU OIL IMMERSED BRAKES
FINAL REDUCTIONS	2.1 L - 0.55 US gal (x2)	SPECIAL MANITOU OIL IMMERSED BRAKES
FINAL REDUCTION PINS		BLUE MULTIPURPOSE MANITOU GREASE
AXLE OSCILLATION		BLUE MULTIPURPOSE MANITOU GREASE
REAR AXLE		
CENTRAL DIFFERENTIAL	7.8 L - 1.71 US gal	SPECIAL MANITOU OIL IMMERSED BRAKES
FINAL REDUCTIONS	2 L - 0.4 US gal (x2)	SPECIAL MANITOU OIL IMMERSED BRAKES
FINAL REDUCTION PINS		BLUE MULTIPURPOSE MANITOU GREASE
AXLE OSCILLATION		BLUE MULTIPURPOSE MANITOU GREASE
CHASSIS		
ROTATION REDUCER SHAFT		BLACK MULTIPURPOSE MANITOU GREASE
ROTATION FIFTH WHEEL TOOTHING		BLACK MULTIPURPOSE MANITOU GREASE

**CAPACITIES and RECOMMENDED PRODUCTS
MRT 2570, MRT-X 2570, MRT 3060, MRT-X 3060**

Table 110. Recommended products and capacities MRT 2570, MRT-X 2570, MRT 3060, MRT-X 3060

COMPONENTS TO BE LUBRICATED	CAPACITY	RECOMMENDATIONS
THREE-PHASE MOTOR		
THREE-PHASE MOTOR MRT 2570 ST5 - MRT 3060 ST5	13 L - 3., 43 US gal	MANITOU EVOLOGY OIL 10W40 API CJ4
THREE-PHASE MOTOR MRT-X 2570 ST3A - MRT-X 3060 ST3A		MANITOU PREMIUM OIL 15W40 API CI4
COOLING SYSTEM	22 L - 5.8 US gal	COOLANT -35° C (Concentrated Product)
FUEL TANK	320 L - 84.5 US gal	DIESEL
DEF TANK MRT 2570 ST5 - MRT 3060 ST5	24 L - 6.34 US gal	"DEF" (diesel emissions fluid)
TRANSMISSION		



5.

REFERENCES, OPTIONS AND ACCESSORIES

COMPONENTS TO BE LUBRICATED	CAPACITY	RECOMMENDATIONS
GEARBOX	1.6 L - 0.42 US gal	SPECIAL MANITOU OIL IMMERSSED BRAKES
CARDAN JOINT		BLUE MULTIPURPOSE MANITOU GREASE
TELESCOPIC BOOM		
TELESCOPIC BOOM SHOES		WHITE GREASE BERULUB PAL 1 (NLGI 1)
CHAIN LUBRICATION		SPRAY OIL MANITOU SPECIAL CHAINS
HYDRAULICS		
HYDRAULIC OIL TANK	300 L - 79.2 US gal	MANITOU ISO VG 46 HYDRAULIC OIL
CABIN		
WINDSCREEN WASHER FLUID TANK	5 L - 1.3 US gal	WINDSCREEN WASHING FLUID
FRONT AXLE		
CENTRAL DIFFERENTIAL	7 L - 1.84 US gal	SPECIAL MANITOU OIL IMMERSSED BRAKES
FINAL REDUCTIONS	2.1 L - 0.55 US gal (x2)	SPECIAL MANITOU OIL IMMERSSED BRAKES
FINAL REDUCTION PINS		BLUE MULTIPURPOSE MANITOU GREASE
AXLE OSCILLATION		BLUE MULTIPURPOSE MANITOU GREASE
REAR AXLE		
CENTRAL DIFFERENTIAL	7.8 L - 2.06 US gal	SPECIAL MANITOU OIL IMMERSSED BRAKES
FINAL REDUCTIONS	2 L - 0.5 US gal (x2)	SPECIAL MANITOU OIL IMMERSSED BRAKES
FINAL REDUCTION PINS		BLUE MULTIPURPOSE MANITOU GREASE
AXLE OSCILLATION		BLUE MULTIPURPOSE MANITOU GREASE
CHASSIS		
ROTATION REDUCER SHAFT		BLACK MULTIPURPOSE MANITOU GREASE
ROTATION FIFTH WHEEL TOOTHING		BLACK MULTIPURPOSE MANITOU GREASE

CAPACITIES and RECOMMENDED PRODUCTS
MRT 3570, MRT-X 3570, MRT 3570 ES, MRT-X 3570 ES

Table 111. Capacities and Recommended Products MRT 3570, MRT-X 3570, MRT 3570 ES, MRT-X 3570 ES

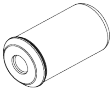


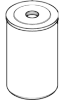

COMPONENTS TO BE LUBRICATED	CAPACITY	RECOMMENDATIONS
THREE-PHASE MOTOR		
THREE-PHASE MOTOR MRT 3570 ST5 - MRT 3570 ES ST5	13 L - 3.43 US gal	MANITOU EVOLOGY OIL 10W40 API CJ4
THREE-PHASE MOTOR MRT 3570 ST3A - MRT 3570 ES ST3A		MANITOU PREMIUM OIL 15W40 API CI4
COOLING SYSTEM	22 L - 5.8 US gal	COOLANT -35° C (Concentrated Product)
FUEL TANK	320 L - 84.5 US gal	DIESEL
DEF TANK MRT 3570 ST5 - MRT 3570 ESST5	24 L - 6.34 US gal	"DEF" (diesel emissions fluid)
TRANSMISSION		
GEARBOX	2.7 L - 0.71 US gal	MANITOU DEXROM III OIL
CARDAN JOINT		BLUE MULTIPURPOSE MANITOU GREASE
TELESCOPIC BOOM		
TELESCOPIC BOOM SHOES		WHITE GREASE BERULUB PAL 1 (NLGI 1)
CHAIN LUBRICATION		SPRAY OIL MANITOU SPECIAL CHAINS



COMPONENTS TO BE LUBRICATED	CAPACITY	RECOMMENDATIONS
HYDRAULICS		
HYDRAULIC OIL TANK	300 L - 79.2 US gal	MANITOU ISO VG 46 HYDRAULIC OIL
CABIN		
WINDSCREEN WASHER FLUID TANK	5 L - 1.3 US gal	WINDSCREEN WASHING FLUID
FRONT AXLE		
CENTRAL DIFFERENTIAL	21 L - 5.5 US gal	SPECIAL MANITOU OIL IMMersed BRAKES
FINAL REDUCTIONS	1.8 L - 0.47 US gal (x2)	SPECIAL MANITOU OIL IMMersed BRAKES
FINAL REDUCTION PINS		BLUE MULTIPURPOSE MANITOU GREASE
AXLE OSCILLATION		BLUE MULTIPURPOSE MANITOU GREASE
REAR AXLE		
CENTRAL DIFFERENTIAL	21 L - 5.5 US gal	SPECIAL MANITOU OIL IMMersed BRAKES
FINAL REDUCTIONS	1.8 L - 0.47 US gal (x2)	SPECIAL MANITOU OIL IMMersed BRAKES
FINAL REDUCTION PINS		BLUE MULTIPURPOSE MANITOU GREASE
AXLE OSCILLATION		BLUE MULTIPURPOSE MANITOU GREASE
CHASSIS		
ROTATION REDUCER SHAFT		BLACK MULTIPURPOSE MANITOU GREASE
ROTATION FIFTH WHEEL TOOTHING		BLACK MULTIPURPOSE MANITOU GREASE

5.1.2 FILTER ELEMENTS AND BELTS




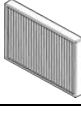
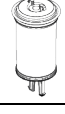


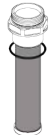


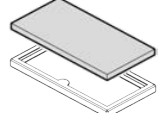
Table 112. Filter elements and belts

ELEMENT	DESCRIPTION	OPERATION
500H - PERIODIC MAINTENANCE - EVERY 500 HOURS OF OPERATION OR 6 MONTHS		
	Hydrostatic pump (transmission) oil filter	Replace
	Hydraulic oil filter cartridge (drain)	Replace
	Hydraulic oil breather	Replace
1000H - PERIODIC MAINTENANCE - EVERY 1000 HOURS OF OPERATION OR 1 YEAR (Also carry out periodic maintenance of the 500 hours of operation)		
	Engine oil filter	Replace
	Dry air filter cartridge	Replace

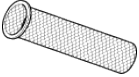
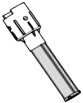


5.

REFERENCES, OPTIONS AND ACCESSORIES

ELEMENT	DESCRIPTION	OPERATION
	Fuel pump filter	Check / Clean
	Fuel filter	Replace
	Cabin ventilation filters	Clean / Check
		
	"DEF" fuel pump filter	Replace
	"DEF" tank breather	Replace
2000H - PERIODIC MAINTENANCE - EVERY 2000 HOURS OF OPERATION OR 2 YEARS (Also perform periodic maintenance of 500 hours and 1000 hours of operation)		
	Hydraulics intake filter cartridges	Clean
		
3000H - PERIODIC MAINTENANCE - EVERY 3000 HOURS OF OPERATION OR 3 YEARS (Also perform periodic maintenance of 500 hours and 1000 hours of operation)		
	Air filter safety cartridge	Replace
	Three-phase motor service belt	Replace
4500H - PERIODIC MAINTENANCE - EVERY 4500 HOURS OF OPERATION OR 9 YEARS (Also carry out periodic maintenance of the 500 hours of operation)		
	Motor breather crankcase filter	Replace



ELEMENT	DESCRIPTION	OPERATION
OCCASIONAL MAINTENANCE		
	Fuel tank filler filter	Check / Clean
	DEF tank filler filter	Check / Clean

5.2. ATTACHMENTS

5.2.1 INTERCHANGEABLE EQUIPMENT AND MACHINE COMPATIBILITY

Interchangeable equipment

Interchangeable equipment or attachments are devices which, connected to the machine by the operator, modify the original function of the machine or add a new function. In the case of the telehandler, interchangeable equipment or attachments are for example (non-exhaustive list):

- the platform for lifting people or material,
- the jib & crane for handling suspended loads,
- the winch to lift material,
- etc.

Interchangeable equipment, if supplied by Manitou, is certified, i.e. it is equipped with a certificate of conformity that guarantees optimal safety for the operator and the machine.

⚠ WARNING

The use of interchangeable attachments or equipment not originally provided on the machine is prohibited.

In the event of subsequent requests for implementation of the machine functions with other attachments, the user, before commissioning, is obliged to request the suitability for use check by an authorized MANITOU technician, who will check the correct functioning and updating of the documentation necessary for the use of the new attachment. Only after this check will the authorization to use the new attachment be issued.

Interchangeable equipment compatible with the machine

The following tables show the list of interchangeable equipment or attachments compatible with each machine model.

Interchangeable equipment is identified by a code and a description, both reported on the metal plate of the equipment itself.

The compatibility between machine and attachment is certified by Manitou for interchangeable attachments for which the “V” sign appears in the box relating to the machine model.

Compatibility between machine and attachment is NOT guaranteed by Manitou for interchangeable attachments for which the “X” sign appears in the box relating to the machine model. This equipment should not be used on the specified machine model.

⚠ WARNING

Only attachments approved and certified by MANITOU can be used on telehandlers. The manufacturer's liability will not be involved in the event of modification or use of attachments made without its knowledge.

Use original attachments listed in the machine - attachment or equipment compatibility tables.

If in doubt, contact your dealer.

**Machine compatibility table - attachment:
Forks carriage**

Image	Description	Code (PN)	MRT Vision +					
			22-60	26-060	25-70	30-60	35-70	35-70-ES
	CAT1320/6T F.FEM4B100X60X1200	52718348	V	V	V	X	X	X
	CAT1320/6T F.FEM4B100X60X1500	52718356	V	V	V	X	X	X
	CAT1320/6T F.FEM4B100X60X1800	52718357	V	V	V	X	X	X
	CAT1320/7T F.FEM4B150X60X1200	52655420	X	X	X	V	V	V
	CAT1320/7T F.FEM4B150X60X1500	52718373	X	X	X	V	V	V
	CAT1320/7T F.FEM4B150X60X1800	52718374	X	X	X	V	V	V
	CAT1750/7T F.FEM4B150X60X1200	52655520	V	V	V	V	V	V
	CAT1750/7T F.FEM4B150X60X1500	52718375	V	V	V	V	V	V
	CAT1750/7T F.FEM4B150X60X1800	52718377	V	V	V	V	V	V
	CAT2000/7T F.FEM4B150X60X1200	52655525	V	V	V	V	V	V
	CAT2000/7T F.FEM4B150X60X1500	52718378	V	V	V	V	V	V
	CAT2000/7T F.FEM4B150X60X1800	52718379	V	V	V	V	V	V
	PFB +TDL 4900kg L1320 SS DOSS +FOURCHES FEM3A 150x50x1200	921241	V	V	V	V	V	V
	PFB + TDL 4900kg L1320 + FOU-150X50X1500 FEM3A	921513	V	V	V	V	V	V
	PFB + TDL 4900kg L1320 SS DOSS + FOURCHES 150X50X2000 FEM3A	921514	V	V	V	V	V	V
	CAT2000/7T SS F.4B150X60X1200	52712870	V	V	V	V	V	V
	CAT2000/7T SS F.4B150X60X1500	52719378	V	V	V	V	V	V
	CAT2000/7T SS F.4B150X60X2000	52719379	V	V	V	V	V	V
	CAF1030/6T F100X60X1200 B	52658467	V	V	V	X	X	X
	CAF1030/6T F100X60X1500 B	52719487	V	V	V	X	X	X
	CAF1030/6T F100X60X1800 B	52719488	V	V	V	X	X	X
	CAF1030/7T F125X60X1200 B	52676010	X	X	X	V	V	V
	CAF1030/7T F125X60X1500 B	52719444	X	X	X	V	V	V
	CAF1030/7T F125X60X1800 B	52719446	X	X	X	V	V	V
	CAF1800/7T F125X60X1200 B	52701150	V	V	V	V	V	V
	CAF1800/7T F125X60X1500 B	52719494	V	V	V	V	V	V
	CAF1800/7T F125X60X1800 B	52719495	V	V	V	V	V	V
	TFF L1030 +TDL 5000kg +FOU-150X60X1200	923956	V	V	V	V	V	V
	TFF CN+FOU-O 150X60X1200 4.9T	921240	V	V	V	V	V	V
	CAT1200/4000 R B	53026525	V	V	V	V	V	V
	PFB FEM2A ORH +/-90° 1.5T +FOU	923348	V	V	V	V	V	V

**Machine compatibility table - attachment:
Baskets for materials**

Image	Description	Code (PN)	MRT Vision +					
			22-60	26-060	25-70	30-60	35-70	35-70-ES
	PANIER DOORS OUTILS	923311	V	V	V	V	V	V
	MATERIAL BASKET 2X1.2M 1000KG	52596600	V	V	V	V	V	V



**Machine - attachment compatibility table:
Lifting platforms**

Image	Description	Code (PN)	MRT Vision +					
			22-60	26-060	25-70	30-60	35-70	35-70-ES
	PF 1200/200	52719244	V	V	V	V	V	V
	PF 2000/365	52719245	V	V	V	V	V	V
	PS 2000/365	52719246	V	V	V	V	V	V
	PSE 4200/365 ALUREACH	52719247	V	V	V	V	V	V
	PSE 4400/365	52719248	V	V	V	V	V	V
	PSE 4400 / 365D	52686224	V	V	V	V	V	V
	PSE 4400 / 365DD	52719250	V	V	V	V	V	V
	PSE 4400/700D	52719251	V	V	V	V	V	V
	PSE 4400 / 1000D	52619610	V	V	V	V	V	V
	PSE 5000 / 365D	52719253	V	V	V	V	V	V
	PSE 5000 / 1000D	52719254	V	V	V	V	V	V
	PSE 6000 / 365D	52719255	V	V	V	V	V	V
	PSE 4000 / 600D W300 / 41M	52719257	V	V	V	V	V	V
	PSE 4000 / 450D W450 / 35M	52719258	V	V	V	V	V	V
	PSR 2400/365	52719259	V	V	V	V	V	V
	PSR 2400/1000	52719260	V	V	V	V	V	V
	PSR 2300 / 1000F	52719261	V	V	V	V	V	V
	PST 1800/1000 FOPS1	52719262	V	V	V	V	V	V
	PST 3000/1000	52719263	V	V	V	V	V	V
	PSE 4000/365D R	52719264	V	V	V	V	V	V
	PFE 4000/1000FD	52719265	V	V	V	V	V	V
	PSE 4000/700FD	52719266	V	V	V	V	V	V
	PSR 3300 / 1000F	52719267	V	V	V	V	V	V
	PAJ1 2500/300	52719268	V	V	V	V	V	V
	PAJ2 1200/200	52719269	V	V	V	V	V	V
	P3D 1000/200 L7500	52719270	V	V	V	V	V	V
	PF 2000/365	52719658	V	V	V	V	V	V
	PSE 4400/365	52719665	V	V	V	V	V	V
	PSE 4400/700D	52719668	V	V	V	V	V	V
	PSE 4400/1000D	52719669	V	V	V	V	V	V
	PSE 5000/1000D	52719670	V	V	V	V	V	V
	P3D 1000/200 L7500	52719672	V	V	V	V	V	V
	PS 3000/600D W300/41M	52719256	V	V	V	V	V	V

**Machine - attachment compatibility table:
Arms**

Image	Description	Code (PN)	MRT Vision +					
			22-60	26-060	25-70	30-60	35-70	35-70-ES
	HBB 1500-2400	931627	V	V	V	V	V	V
	JE 6000/ 600	939995	V	V	V	V	V	V
	PC 50- frame-mounted hook	921335	V	V	V	V	V	V
	PC 60- frame-mounted hook	939050	V	V	V	V	V	V
	PC 90- frame-mounted hook	939970	V	V	V	V	V	V
	P 600- extension jib	921316	V	V	V	V	V	V



5.

REFERENCES, OPTIONS AND ACCESSORIES

Image	Description	Code (PN)	MRT Vision +					
			22-60	26-060	25-70	30-60	35-70	35-70-ES
	P 1000- extension jib	921317	V	V	V	V	V	V
	P 1500- extension jib	921319	V	V	V	V	V	V
	P 2000- extension jib	921320	V	V	V	V	V	V
	P 4000- 2-hook jib	921321	V	V	V	V	V	V
	P 6000- 2-hook jib	921322	V	V	V	V	V	V
	P 9000- 3-hook jib	930830	V	V	V	V	V	V

**Machine - attachment compatibility table:
Winches**

Image	Description	Code (PN)	MRT Vision +					
			22-60	26-060	25-70	30-60	35-70	35-70-ES
	JW4100/ 600 68M	52719496	V	V	V	V	V	V
	J4100 W1000/34M	52719497	V	V	V	V	V	V
	JW 1950 LBS	52718275	V	V	V	V	V	V
	J3000 W1500/43M	52717710	V	V	V	V	V	V
	J2500 W2000/22M	52718250	V	X	X	X	X	X
	J2500 W2000/35M	52717582	X	V	V	V	V	V
	JE7000 W800/39M	52717860	V	V	V	V	V	V
	W3000/23M	52718245	V	X	X	X	X	X
	W3000/36M	52717650	X	V	V	V	V	V
	W3000 DI /48M	52717900	V	V	V	V	V	V
	W6000/25M	52717140	V	X	X	V	X	X
	W6000/32M	52717351	X	V	V	X	V	V
	Variowinch 7.2t	52576737	V	V	V	V	V	V

**Machine - attachment compatibility table:
Buckets / Loaders**

Image	Description	Code (PN)	MRT Vision +					
			22-60	26-060	25-70	30-60	35-70	35-70-ES
	CBR 1000 L2450	921282	V	V	V	V	V	V
	CBR 1000 L2450	923967	V	V	V	V	V	V
	CBA 1500 LDR L2450	921279	V	V	V	V	V	V
	BB 500 MRT	52000642	V	V	V	V	V	V
	BBHG 500 MRT	52000643	V	V	V	V	V	V
	GL 600	52000528	V	V	V	V	V	V
	GL 600 H MRT	52553617	V	V	V	V	V	V



**Machine - attachment compatibility table:
Centering handler jib & crane**

Image	Description	Code (PN)	MRT Vision +					
			22-60	26-060	25-70	30-60	35-70	35-70-ES
	CLR 4000	52721819	V	V	V	V	V	V

**Machine - attachment compatibility table:
Tire gripper**

Image	Description	Code (PN)	MRT Vision +					
			22-60	26-060	25-70	30-60	35-70	35-70-ES
	TH33/2000S	52721340	V	V	V	V	V	V



For Support and Service, Contact Your Dealer

